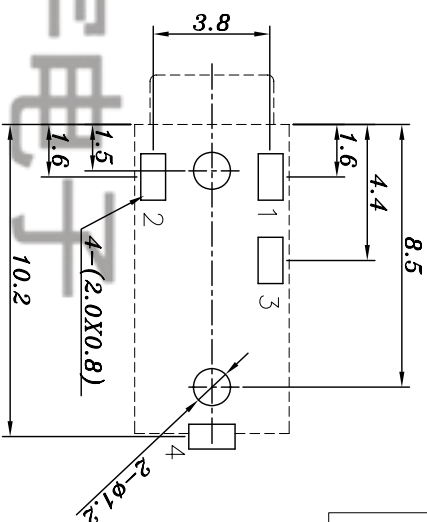
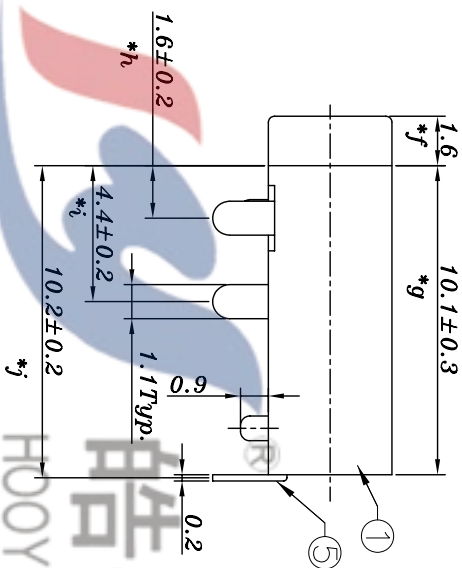
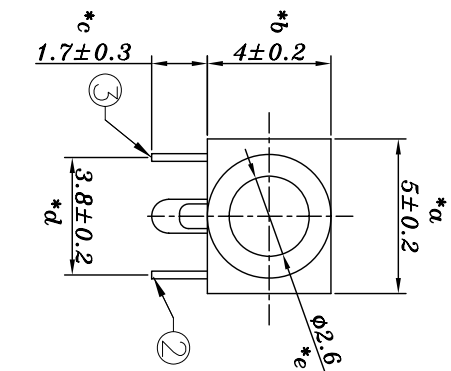
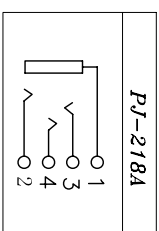
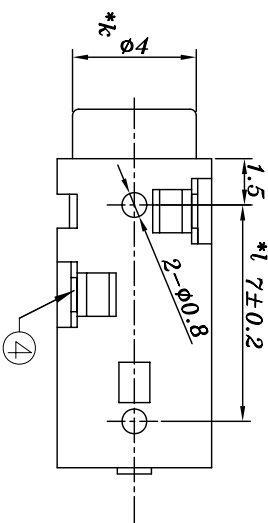


SCHEMATIC



P.C.B LAYOUT
TOP VIEW



NO.	PART NAME	MATERIAL	QTY	FINISHING
5	CONTACT FOOT	PHOSPHOR BRONZE	1	Ag-Plated
4	SPRING PIECE	PHOSPHOR BRONZE	1	Ag-Plated
3	CONTACT FOOT	PHOSPHOR BRONZE	1	Ag-Plated
2	SPRING PIECE	PHOSPHOR BRONZE	1	Ag-Plated
1	HOUSING	PBT	1	

TOLERANCE UNLESS SPECIFIED		ANGULAR	NO	DATE	UNIT : MM	REVISIONS	DWN	BY	APPD
UP TO 5mm: ±0.1		±1°	1						
ABOVE 5mm: ±0.2									

TITLE: PHONE JACK		MODEL: Pj-218A	SCALE: 1:1	ROHS COMPLIANT	CHK'D	APPD
HAOYU(HONGKONG) LIMITED						
皓宇(香港)有限公司						

PRO.AGL:	REV :A0