



SPECIFICATION

SHEET FOR APPROVAL

Part Name: _____ magnetic sounder _____

Type: _____ YX5020P _____

Customer Name: _____

Number of the Edition: _____



	Approved by	Checked by	Issued by
Signature			
Date			

Yue Xin Electronics Co., Ltd.

Add: People Industrial Park Chen Bao Town Xinghua City Jiangsu province China

Tel: +86 0523 83722059 **Fax:** +86 0523 83722259

Web: www.xhyxdz.com

Magnetic Sounder

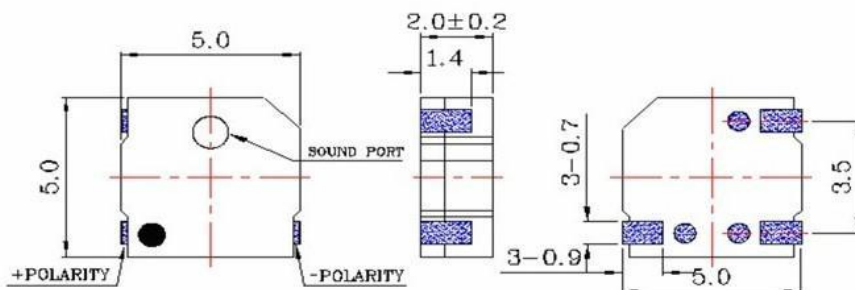
YX5020P



Electrical Characteristics

Model No.	Unit	YX5020P
Rated Voltage	Vo-p	3
Operating Voltage	Vo-p	2~4
Rated Current	mA	≤100
Min. Sound Output at 10cm	dB	≥75
Coil Resistance	Ω	12±3
Resonant Frequency	Hz	4000
Operating Temperature	°C	-30~+70
Storage Temperature	°C	-40~+85
Weight(MAX)	gram	0.6
Environmental Protection Regulation		RoHS

Dimensions : (Unit: mm Tol :±0.5)



Yue Xin Electronics Co., Ltd.

Add: People Industrial Park Chen Bao Town Xinghua City Jiangsu province China

Tel: +86 0523 83722059 Fax: +86 0523 83722259

Web: www.xhyxdz.com

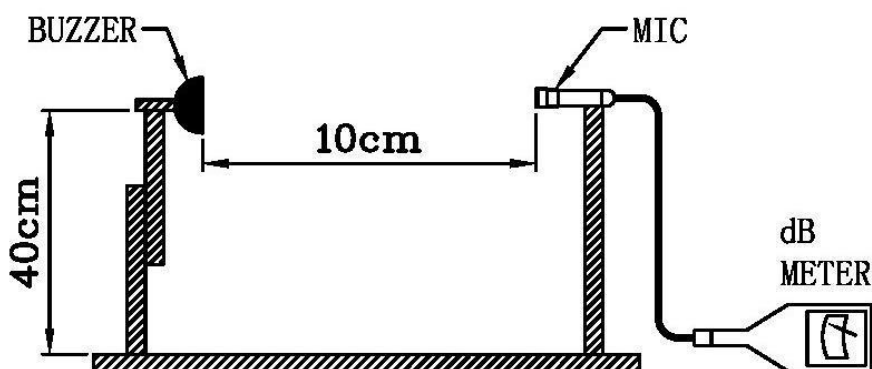
Magnetic Sounder

Testing Method:

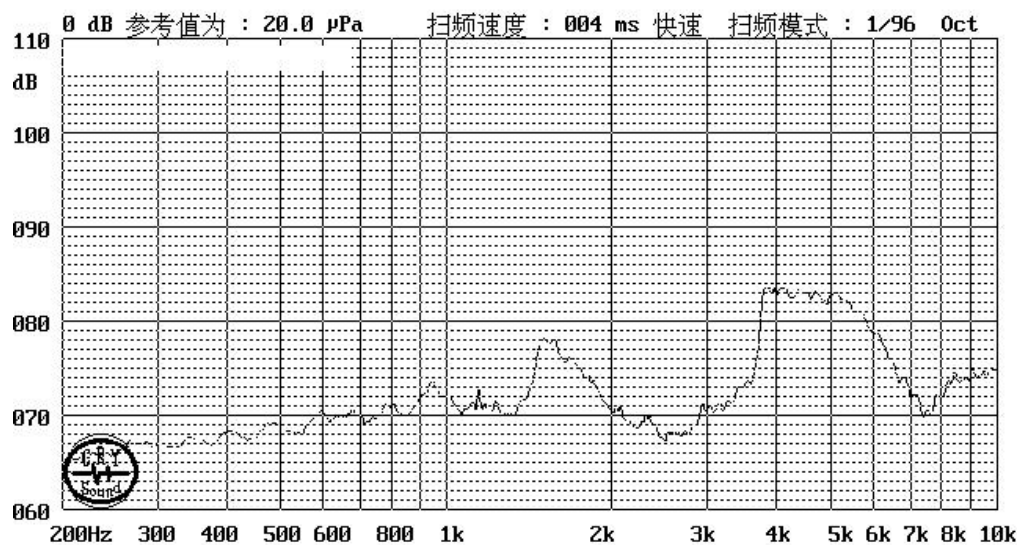
Standard Measurement: Temperature: $25 \pm 2^\circ\text{C}$ Humidity: 45-65%

Acoustic Characteristics:

The oscillation frequency, current consumption and sound pressure are measured by the measuring instruments shown below



Frequency Response :



Yue Xin Electronics Co., Ltd.

Add: People Industrial Park Chen Bao Town Xinghua City Jiangsu province China

Tel: +86 0523 83722059 Fax: +86 0523 83722259

Web: www.xhyxdz.com