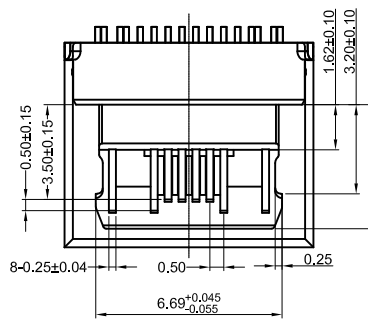


SECTION A-A  
SCALE 1:1

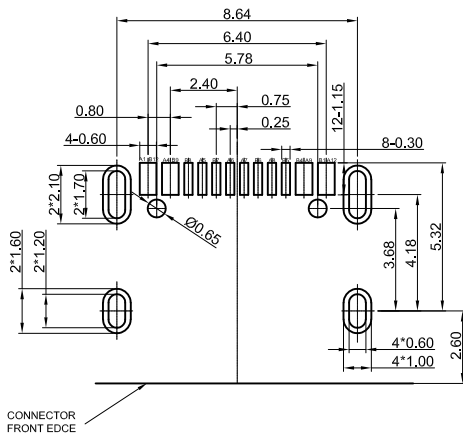


SECTION B-B  
SCALE 1:1

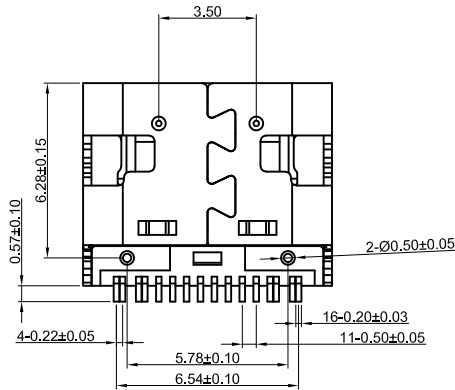
NOTES:

SPECIFICATION:

1. CURRENT RATING: 5A MAX
2. VOLTAGE: 20V MAX. WITHSTANDING VOLTAGE: 100V AC
3. TEMPERATURE RANGE: -55 °C ~ 85 °C
4. CONTACT RESISTANCE: 40 MILLIONHM MAX
5. INSULATION RESISTANCE: 100 MEGOHMS MIN.
6. LNSERTION FORCE : 5N~20N
7. UNMATING FORCE: 8N~20N
8. DURABILITY: 10,000 CYCLES

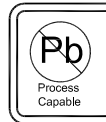


RECOMMENDED P.C.B. LAYOUT  
TOLERANCE UNSPECIFIED ±0.05mm



PIN	SIGNAL NAME	PIN	SIGNAL NAME	NO.	DESCRIPTION	MATERIAL	REMARKS	QTY
A1	GND	B12	GND	6	SHELL	STAINLESS STEEL SUS201	NI/SN Plated	1PCS
A4	VBUS	B9	VBUS	5	SHIELDING PLATE	STAINLESS STEEL SUS304	---	1PCS
A5	CC1	B8	SBU2	5	SHIELDING PLATE	STAINLESS STEEL SUS304	---	1PCS
A6	DP1	B7	DN2	4	MD	HIGH TEMPERATURE PLASTIC	BLUE	1PCS
A7	DN1	B6	DP2	4	MD	HIGH TEMPERATURE PLASTIC	BLUE	1PCS
A8	SBU1	B5	CC2	3	CONTACT	COPPER ALLOY C7025TM03	Au3U*/Ni50U*/Sn100U* Plated	1SET
A9	VBUS	B4	VBUS	3	CONTACT	COPPER ALLOY C7025TM03	Au3U*/Ni50U*/Sn100U* Plated	1SET
A12	GND	B1	GND	2	CONTACT	COPPER ALLOY C7025TM03	Au3U*/Ni50U*/Sn100U* Plated	1SET
				1	HOUSING	HIGH TEMPERATURE PLASTIC	BLUE	1PCS

此产品符合  
USB协会认证  
规范TID:7341

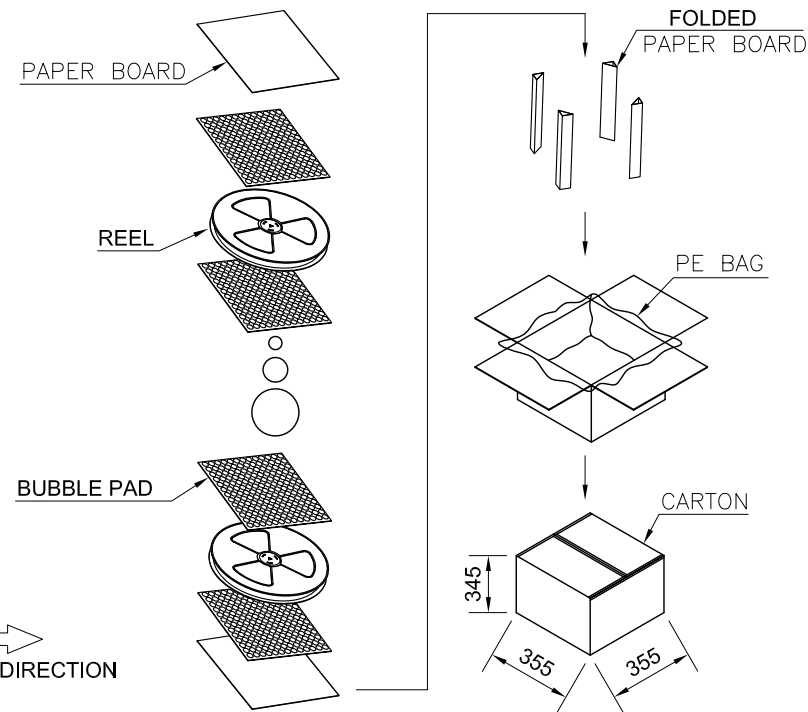
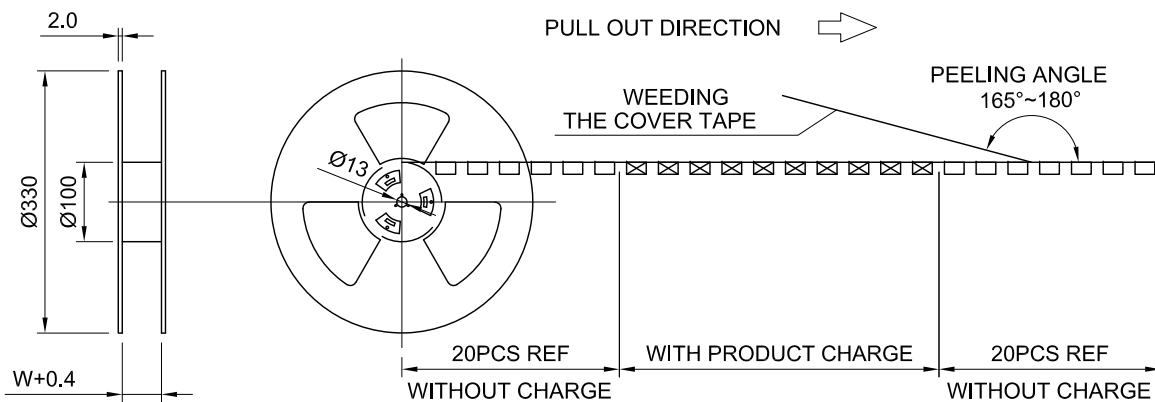


**Pinzan Electronics (Dongguan) Co., Ltd.**

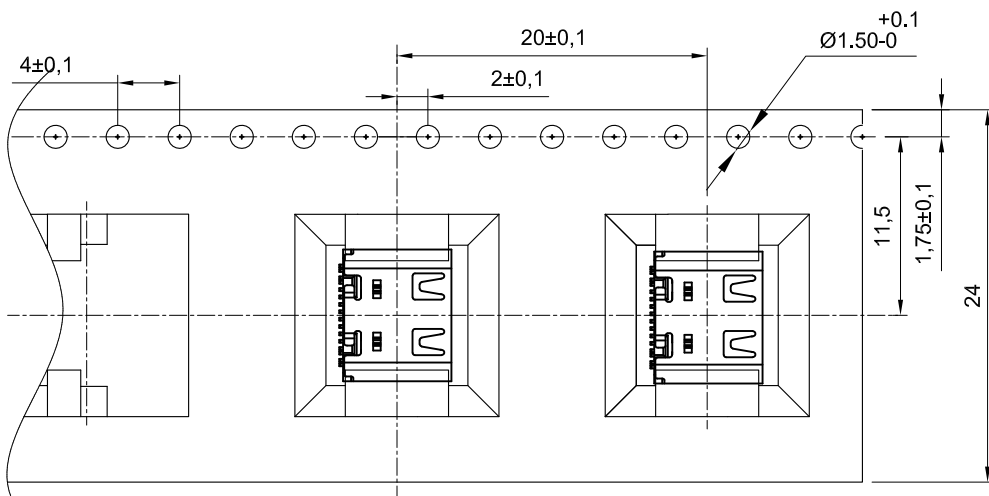
Unless otherwise specified, Tolerance:  
X. ±0.30  
X.x ±0.20  
X.xx ±0.15  
X.xxx ±0.10  
Angles ±3°

DESIGN Li Qingqi DATE 2021.11.11  
Specifications Type-C Receptacle 16pin onboarding  
<http://www.dg-switch.com>  
TEL:0769-82388879

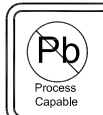
Mold code:  
品赞GT-USB-9010AB  
REV.: X1 SCALE: 4:1 UNIT: mm  
SIZE: A4 SHEET: 1/1



NOTE:  
1. QUANTITY: 1000 PCS/REEL, 10000PCS/CARTON.



此产品符合  
USB协会认证  
规范TID:7341



**Pinzan Electronics (Dongguan) Co., Ltd.**

Unless otherwise specified, Tolerance:

X.  $\pm 0.30$   
X.x  $\pm 0.20$   
X.xx  $\pm 0.15$   
X.xxx  $\pm 0.10$   
Angles  $\pm 3^\circ$

DESIGN Li Qingqi

DATE 2021.11.11

Molde code:

Specifications  
Type-C Receptacle 16pin onboarding

品赞GT-USB-9010AB

<http://www.dg-switch.com>

REV.: X1

SCALE: 4:1

UNIT: mm

TEL: 0769-82388879

SIZE: A4

SHEET: 1/1

