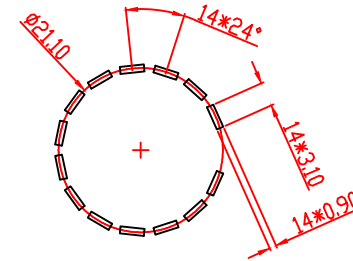
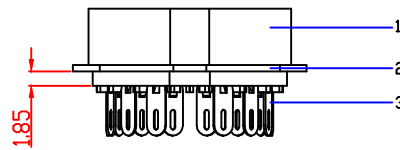
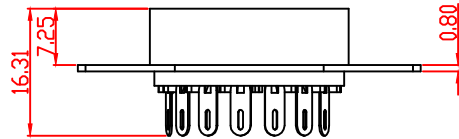
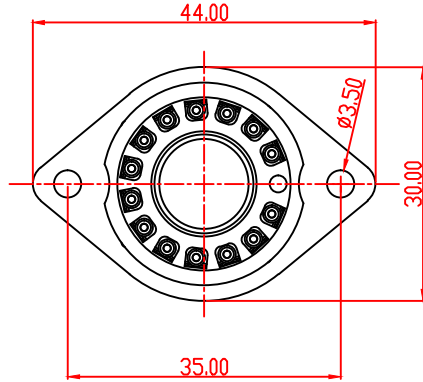
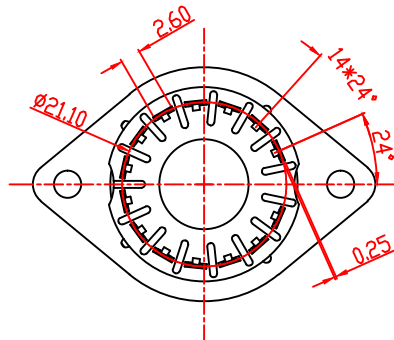


RoHS  
Compliant

SYMBOL	REVISION	APPROVAL	DATE



P.C.B LAYOUT



3	TERMINAL	C5210	14	Ag PLATED
2	BRACKET	SUS304	1	NATURAL
1	HOUSING	HIGH TEMPERATURE PLASTICS	1	WHITE
NO.	PARTS	MATERIAL	QTY.	FINISHING

HAOFU ELECTRONCS TECHNOLOGY CO., LTD

COPYRIGHT RESERVED,PLEASE DO NOT COPY.

PART NAME		CONNECTOR		DRAWING	Z.L.Liang	DWG.No.	
PART NO.		CR332-C(SZ-HF)		CHECK	G.C.Chen	REV.	A
UNIT :	TOLERANCE OTHERWISE	UP TO 5	±0.2	ANGLE	APPROVAL	DATE	
		ABOVE 5~30	±0.3			PAGE	
mm		ABOVE 30	±0.5	0°±3'	SCALE	3:1	1 OF 1
		ANGLE	±3'				