

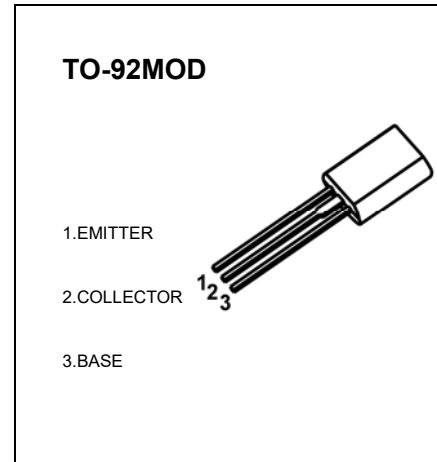


TO-92MOD Plastic-Encapsulate Transistors

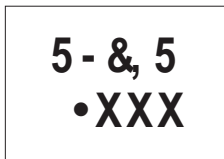
KSA928A TRANSISTOR(PNP)

FEATURE

- Audio Power Amplifier
- Complement to Application

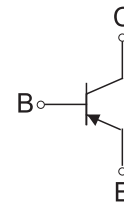


MARKING



A928A=Device code
 Soliddot = Greenmdding compound device,
 if none, the normal device
 XXX=Code

Equivalent Circuit



ORDERING INFORMATION

Part Number	Package	Packing Method	Pack Quantity
KSA928A	TO-92MOD	Bulk	500pcs/Bag
KSA928A-TA	TO-92MOD	Tape	2000pcs/Box

MAXIMUM RATINGS (Ta=25°C unless otherwise noted)

Symbol Para	meter	Value	Unit
V _{CBO}	Collector-Base Voltage	-30	V
V _{CEO}	Collector-Emitter Voltage	-30	V
V _{EBO}	Emitter-Base Voltage	-5	V
I _C	Collector Current -Continuous	-2	A
P _C	Collector Power Dissipation	1	W
T _J ,T _{stg}	Operation Junction and Storage Temperature Range	-55 ~+150	°C

ELECTRICAL CHARACTERISTICS

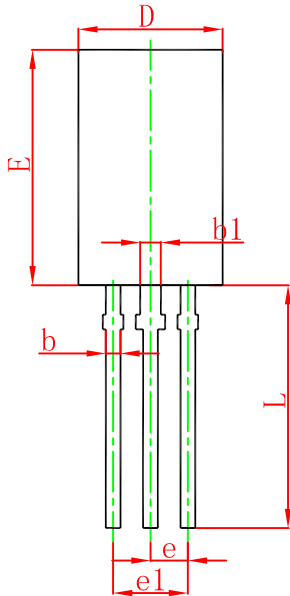
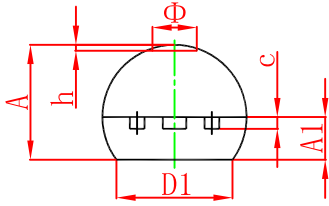
$T_a=25^\circ\text{C}$ unless otherwise specified

Parameter	Symbol	Test conditions	Min	Typ	Max	Unit
Collector-base breakdown voltage	$V(\text{BR})_{\text{CBO}}$	$I_C = -100\mu\text{A}, I_E = 0$				V
Collector-emitter breakdown voltage	$V(\text{BR})_{\text{CEO}}$	$I_C = -10\text{ mA}, I_B = 0$				V
Emitter-base breakdown voltage	$V(\text{BR})_{\text{EBO}}$	$I_E = -1\text{mA}, I_C = 0$				V
Collector cut-off current	I_{CBO}	$V_{\text{CB}} = -30\text{V}, I_E = 0$			-0.1	μA
Emitter cut-off current	I_{EBO}	$V_{\text{EB}} = -5\text{V}, I_C = 0$			-0.1	μA
DC current gain	h_{FE}	$V_{\text{CE}} = -2\text{V}, I_C = -500\text{mA}$	100		320	
Collector-emitter saturation voltage	$V_{\text{CE(sat)}}$	$I_C = -1.5\text{ A}, I_B = -0.03\text{A}$			-2	V
Base-emitter voltage	V_{BE}	$I_C = -500\text{ mA}, V_{\text{CE}} = -2\text{V}$			-1	V
Transition frequency	f_{T}	$V_{\text{CE}} = -2\text{ V}, I_C = -500\text{mA}$	120			MHz
Collector output capacitance	C_{ob}	$V_{\text{CB}} = -10\text{V}, I_E = 0, f = 1\text{MHz}$		48		pF

CLASSIFICATION OF h_{FE}

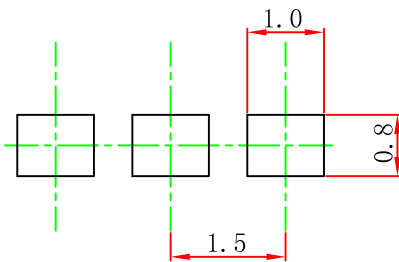
Rank	O	Y
Range	100-200	160-320

TO-92MOD Package Outline Dimensions



Symbol	Dimensions In Millimeters		Dimensions In Inches	
	Min.	Max.	Min.	Max.
A	4.800	5.000	0.189	0.197
A1	1.730	2.030	0.068	0.080
b	0.440	0.600	0.017	0.024
b1	0.940	1.100	0.037	0.043
c	0.350	0.450	0.014	0.018
D	5.900	6.100	0.232	0.240
D1	4.000		0.157	
E	8.500	8.700	0.335	0.343
e	1.500 TYP.		0.059 TYP.	
e1	2.900	3.100	0.114	0.122
L	13.800	14.200	0.543	0.559
Φ		1.600		0.063
h	0.000	0.380	0.000	0.015

TO-92MOD Suggested Pad Layout



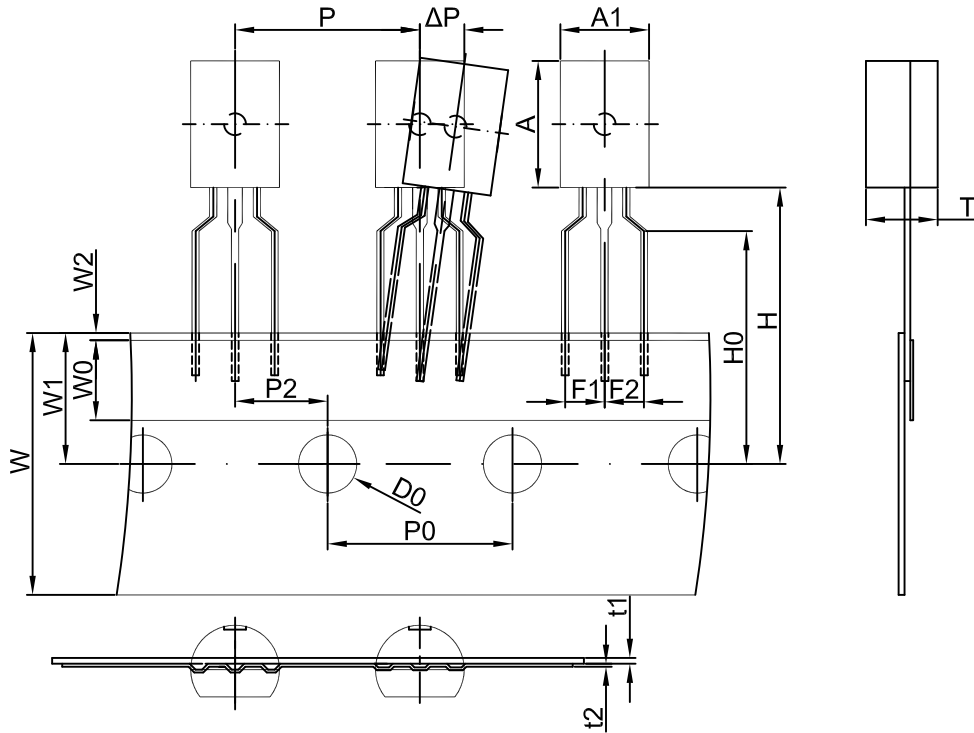
Note:

1. Controlling dimension: in millimeters.
2. General tolerance: ± 0.05 mm.
3. The pad layout is for reference purposes only.

NOTICE

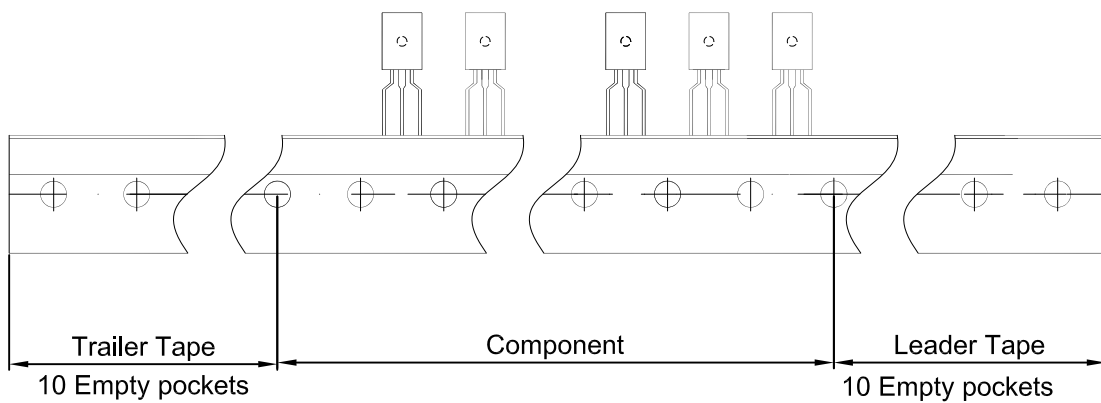
JSCJ reserves the right to make modifications, enhancements, improvements, corrections or other changes without further notice to any product herein. JSCJ does not assume any liability arising out of the application or use of any product described herein.

TO-92MOD PACKAGE TAPING DIMENSION



Dimensions are in millimeter

A1	A	T	P	P0	P2	F1	F2	W
6.0	8.6	4.9	12.7	12.7	6.35	2.5	2.5	18.0
W0	W1	W2	H	H0	D0	t1	t2	ΔP
6.0	9.0	1.0	19.0	16.0	4.0	0.4	0.2	0



Package	Box	Box Size(mm)	Carton	Carton Size(mm)
TO-92MOD	2000 pcs	333×245×43	20,000 pcs	573×404×266