

REV.	ECN. NO.	APPD.
X4	12/08'17	Johnny Tang
X5	12/15'17	Johnny Tang
X6	12/22'17	Johnny Tang
X7	02/02'18	Johnny Tang
X8	03/22'18	Johnny Tang

- NOTES:
- ELECTRICAL CHARACTERISTICS:
    - 1-1 CURRENT RATING: 1.1 A PER PIN, 30°C RISE ABOVE AMBIENT.
    - 1-2 CONTACT RESISTANCE: 30 MILLIOHMS MAX. INITIAL, 50 MILLIOHMS MAX. AFTER TEST.
    - 1-3 INSULATION RESISTANCE: 1000 MEGOHMS MIN..
    - 1-4 DIELECTRICAL WITHSTAND VOLTAGE: 500 V AC MIN. AT SEA LEVEL.
  - MECHANICAL CHARACTERISTICS:
    - 2-1 CONTACT INSERTION FORCE: 1.15 N MAX. PER CONTACT PAIR.
    - 2-2 CONTACT REMOVAL FORCE: 0.15 N MIN. PER CONTACT PAIR.
    - 2-3 DURABILITY: 50 MATING AND UNMATING CYCLES.
    - 2-4 CONTACT RETENTION FORCE: 3.43 N MIN.
  - ENVIRONMENTAL CHARACTERISTICS:
    - 3-1 OPERATING TEMPERATURE RANGE: -40°C TO +105°C .
  - RECOMMENDED PROCESS: IR REFLOW 245°C, 3~5 s
  - PLEASE CONTACT FOXCONN SALES REPRESENTATIVE TO VERIFY PRODUCTION DETAILS & AVAILABILITY

PROD. NO.: 2EF 5 \*\* \* - DA9D0 - \* \*

FIELD PRODUCT SERIES: 2EF= PCI-E GEN 4.0

TERMINAL TYPE:  
5= SMT TYPE


NO. OF POS.  
32= 64 POSITIONS  
49= 98 POSITIONS  
82= 164 POSITIONS  
B5= 130 POSITIONS

GREEN CODE:  
F: LEAD FREE  
RoHS 2.0 COMPLIANT

PACKAGE CODE:  
4: SOFT TRAY  
7: T/R  
8: MYLAR + T/R

CONTACT AREA GOLD PLATING:  
1= GOLD FLASH  
7= 15u" GOLD  
3= 30u" GOLD

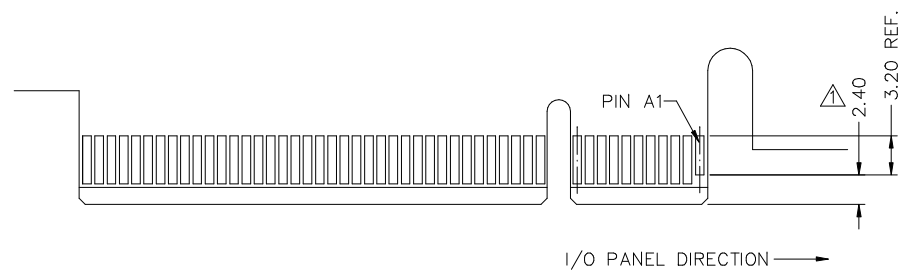
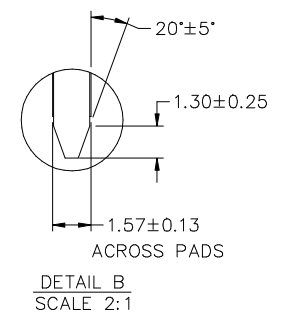
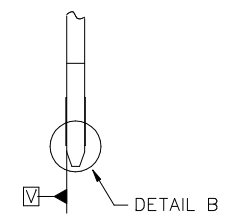
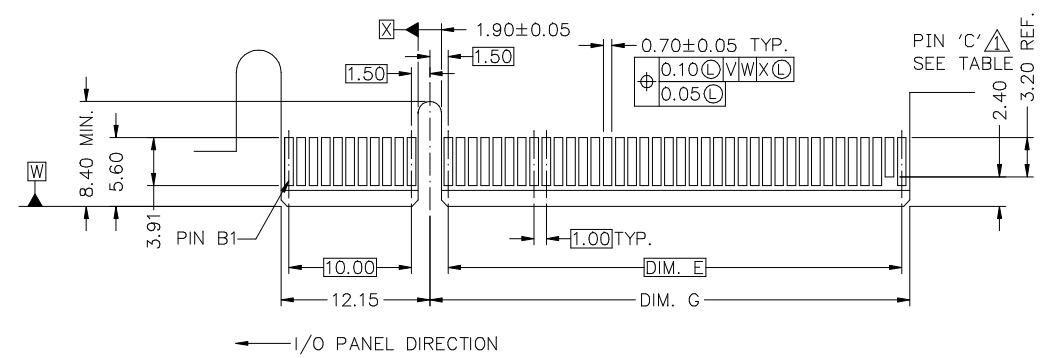
ITEM	DESCRIPTION	MATERIAL	TREATMENT
3	CONTACT	COPPY ALLOY	50u" NICKEL PLATING OVERALL UNDERPLATED. 100u" MATTE TIN PLATING OVER NICKEL AT TAIL. GOLD PLATING ON CONTACT AREA.
2	PAD	COPPY ALLOY	50u" NICKEL PLATING OVERALL UNDERPLATED. 100u" MATTE TIN PLATING OVER NICKEL AT TAIL.
1	HOUSING	THERMOPLASTIC UL 94V-0	MOLDED BLACK

X.±	X.*±	UNITS	NAME(INTENDED USE)	 FOXCONN INTERCONNECT TECHNOLOGY LIMITED.
		mm	SMT TYPE PCI-E Gen4.0	
X.± 0.38	X.*±	MAT'L	PART NO.(INTENDED USE)	CLASS: <input type="checkbox"/> CONFIDENTIAL <input type="checkbox"/> SECRET <input checked="" type="checkbox"/> GENERAL
.XX± 0.25	.XX*±	N/A	2EF5***-DA9D0-**	
.XXX±	.XXX*±	FINISH	APPD:	TITLE: CUSTOMER DRAWING
THESE DRAWINGS AND SPECIFICATIONS ARE THE PROPERTY OF FOXCONN INTERCONNECT TECHNOLOGY LIMITED AND SHALL NOT BE REPRODUCED, COPIED OR USED IN ANY MANNER WITHOUT THE PRIOR WRITTEN CONSENT OF FOXCONN INTERCONNECT TECHNOLOGY LIMITED.			N/A	Davy Bu 03/22'18
Q'TY		N/A	CHKD: Johnny Tang 03/22'18	DWG NO.: 303-0000-3366
			DRAW: Qin Teng 03/22'18	SCALE SHEET REV. N/A 1/4 X8

RECOMMENDED PCB LAYOUT

PART NUMBER	DIM. A	DIM. B	DIM. C	DIM. D	DIM. E	
2EF5B5*-DA9D0-**	103.00	105.54	122.00	106.15	124.15	TO BE DEVELOPED
2EF5B2*-DA9D0-**	70.00	72.54	89.00	73.15	91.15	
2EF549*-DA9D0-**	37.00	39.54	56.00	40.15	58.15	
2EF532*-DA9D0-**	20.00	22.54	39.00	33.15	31.15	TO BE DEVELOPED
2EF518*-DA9D0-**	7.00	9.54	26.00	20.15	18.15	TO BE DEVELOPED

REV.	ECN. NO.	APPD.




ADD-IN CARD EDGE-FINGER DIMENSIONS

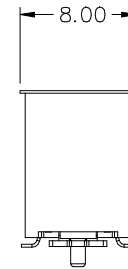
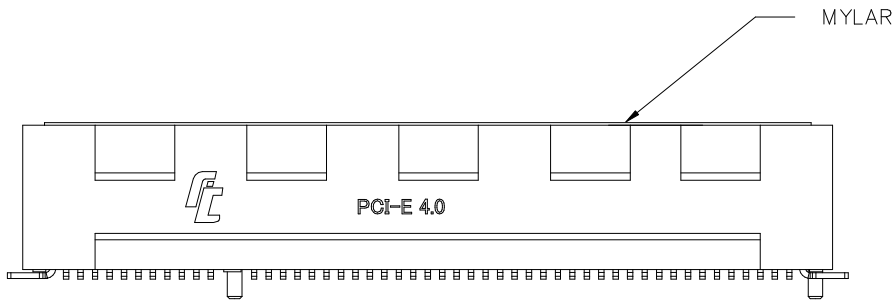
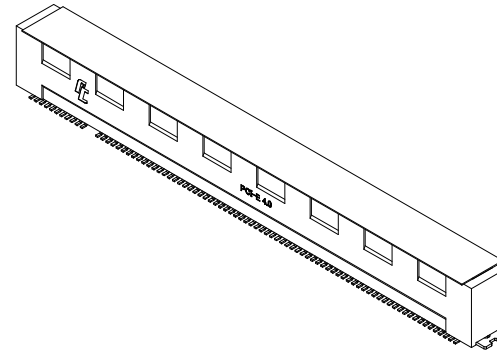
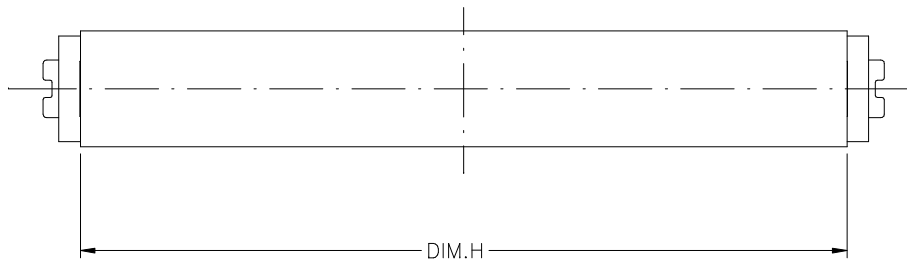
CONNECTOR LINK WIDTH	# POS REF	DIM. E	DIM. G	'C'
X4	64	20.00	22.15	B31
X8	98	37.00	39.15	B48
X16	164	70.00	72.15	B81
X24	230	103.00	105.15	B114

NOTES:


- 1. NO TIE PERMITTED FROM CARD EDGE TO LEADING EDGE OF PAD FOR PINS A1 AND 'C'.
- 2. CHAMFER EDGES MUST BE FREE OF CUTTING BURRS.

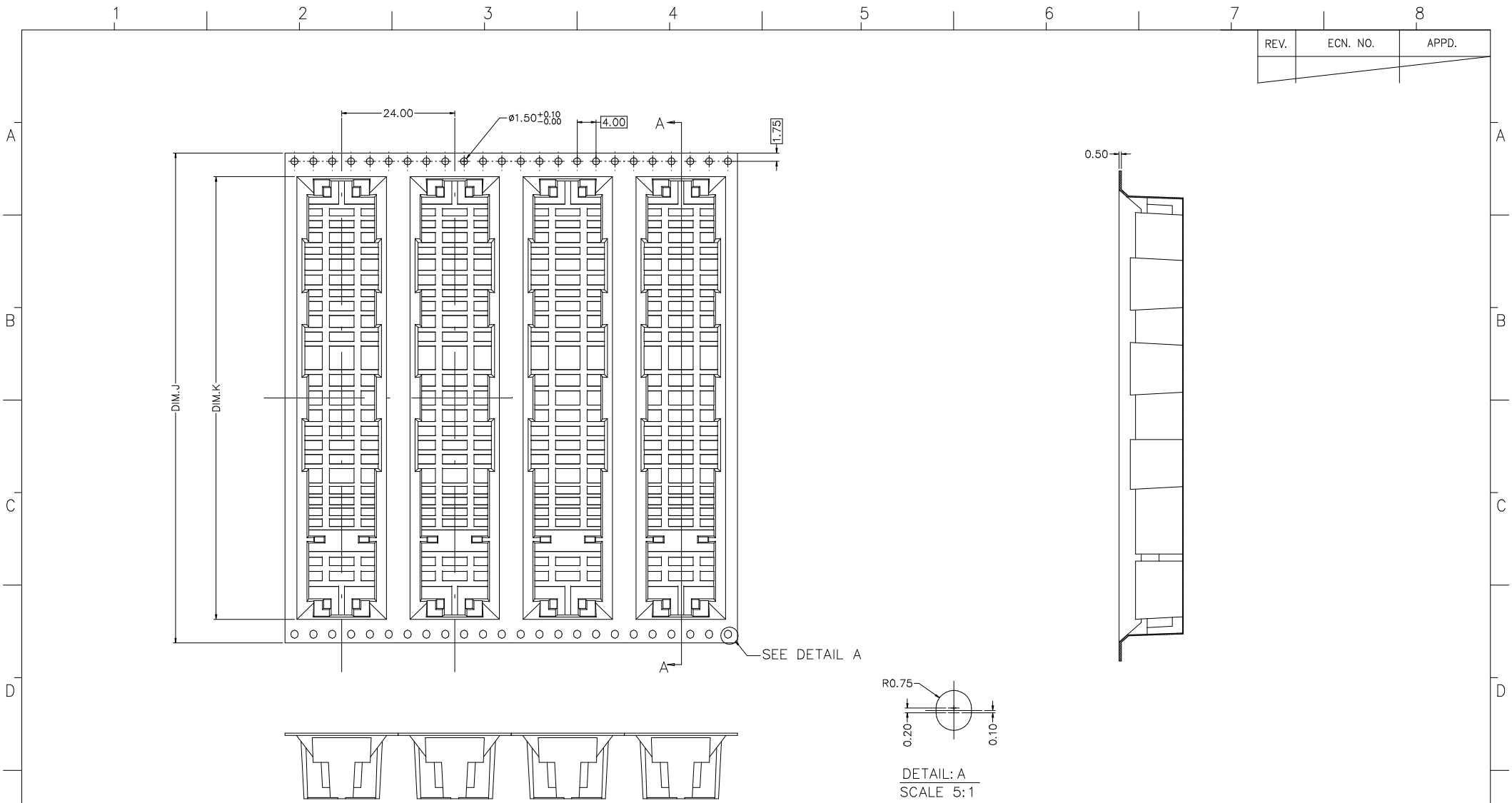
X.±	X.*±	UNITS mm	NAME<INTENDED USE> SMT TYPE PCI-E Gen4.0	 <b>FOXCONN INTERCONNECT TECHNOLOGY LIMITED.</b>
X.± 0.1	X.*± 2°	MAT'L N/A	PART NO.<INTENDED USE> 2EF5***-DA9D0-**	
.XX± 0.05	.XX*±	FINISH N/A	APPD: Davy Bu 03/22'18	CLASS: <input type="checkbox"/> CONFIDENTIAL <input type="checkbox"/> SECRET <input checked="" type="checkbox"/> GENERAL
.XXX±	.XXX*±	Q'TY N/A	CHKD: Johnny Tang 03/22'18 DRAW: Qin Teng 03/22'18	TITLE: CUSTOMER DRAWING
THESE DRAWINGS AND SPECIFICATIONS ARE THE PROPERTY OF FOXCONN INTERCONNECT TECHNOLOGY LIMITED AND SHALL NOT BE REPRODUCED, COPIED OR USED IN ANY MANNER WITHOUT THE PRIOR WRITTEN CONSENT OF FOXCONN INTERCONNECT TECHNOLOGY LIMITED.				DWG NO.: 303-0000-3366
				SCALE SHEET REV. N/A 2/4 X8

REV.	ECN. NO.	APPD.




2EF5B5*--DA9D0-8*	119
2EF582*--DA9D0-8*	86
2EF549*--DA9D0-8*	53
2EF532*--DA9D0-8*	36
PART NUMBER	DIM. H

X.±	X.*±	UNITS mm	NAME<INTENDED USE> SMT TYPE PCI-E Gen4.0	 FOXCONN INTERCONNECT TECHNOLOGY LIMITED.						
.X±	.X.*±	MAT'L N/A	PART NO.<INTENDED USE> 2EF5***-DA9D0-**							
.XX±	.XX.*±	FINISH N/A	APPD: Davy Bu 03/22'18	TITLE: CUSTOMER DRAWING						
.XXX±	.XXX.*±		Q'TY N/A	CHKD: Johnny Tang 03/22'18 DRAW: Qin Teng 03/22'18	DWG NO.: 303-0000-3366					
<small>THESE DRAWINGS AND SPECIFICATIONS ARE THE PROPERTY OF FOXCONN INTERCONNECT TECHNOLOGY LIMITED AND SHALL NOT BE REPRODUCED, COPIED OR USED IN ANY MANNER WITHOUT THE PRIOR WRITTEN CONSENT OF FOXCONN INTERCONNECT TECHNOLOGY LIMITED.</small>				<table border="1"> <tr> <td>SCALE</td> <td>SHEET</td> <td>REV.</td> </tr> <tr> <td>N/A</td> <td>3/4</td> <td>X8</td> </tr> </table>	SCALE	SHEET	REV.	N/A	3/4	X8
SCALE	SHEET	REV.								
N/A	3/4	X8								



REV.	ECN. NO.	APPD.

X.±	X.*±	UNITS mm	NAME<INTENDED USE> SMT TYPE PCI-E Gen4.0	 <b>FIT</b> FOXCONN INTERCONNECT TECHNOLOGY LIMITED.						
.X± 0.38	.X.*±	MAT'L N/A	PART NO.<INTENDED USE> 2EF5***-DA9D0-**		CLASS: <input type="checkbox"/> CONFIDENTIAL <input type="checkbox"/> SECRET <input checked="" type="checkbox"/> GENERAL					
.XX± 0.25	.XX.*±	FINISH N/A	APPD: Davy Bu 03/22'18	TITLE: CUSTOMER DRAWING						
.XXX±	.XXX.*±	Q'TY N/A	CHKD: Johnny Tang 03/22'18 DRAW: Qin Teng 03/22'18	DWG NO.: 303-0000-3366						
<small>THESE DRAWINGS AND SPECIFICATIONS ARE THE PROPERTY OF FOXCONN INTERCONNECT TECHNOLOGY LIMITED AND SHALL NOT BE REPRODUCED, COPIED OR USED IN ANY MANNER WITHOUT THE PRIOR WRITTEN CONSENT OF FOXCONN INTERCONNECT TECHNOLOGY LIMITED.</small>				<table border="1"> <thead> <tr> <th>SCALE</th> <th>SHEET</th> <th>REV.</th> </tr> </thead> <tbody> <tr> <td>N/A</td> <td>4/4</td> <td>X8</td> </tr> </tbody> </table>	SCALE	SHEET	REV.	N/A	4/4	X8
SCALE	SHEET	REV.								
N/A	4/4	X8								