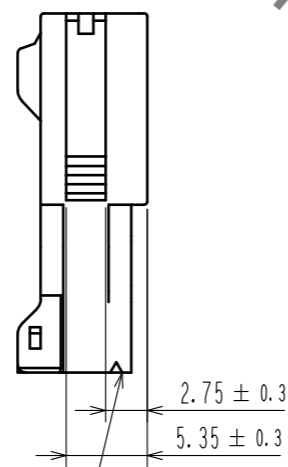
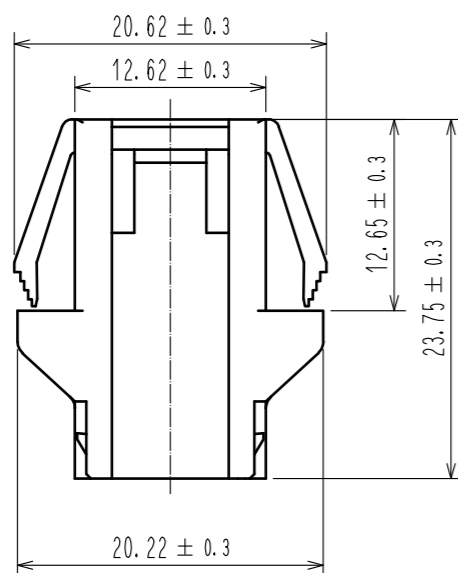
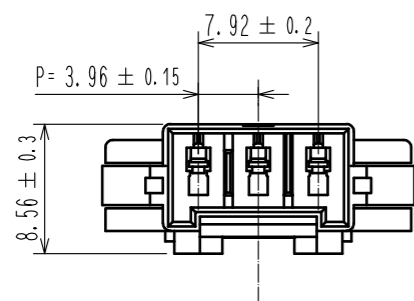
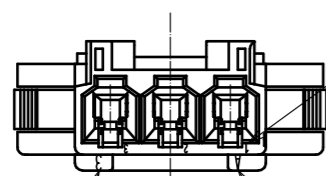


Mar.1.2022 Copyright 2022 HIROSE ELECTRIC CO., LTD. All Rights Reserved.
In case of consideration for using Automotive equipment / device which demand high reliability, kindly contact our sales window correspondents.



Contact No.1 marking

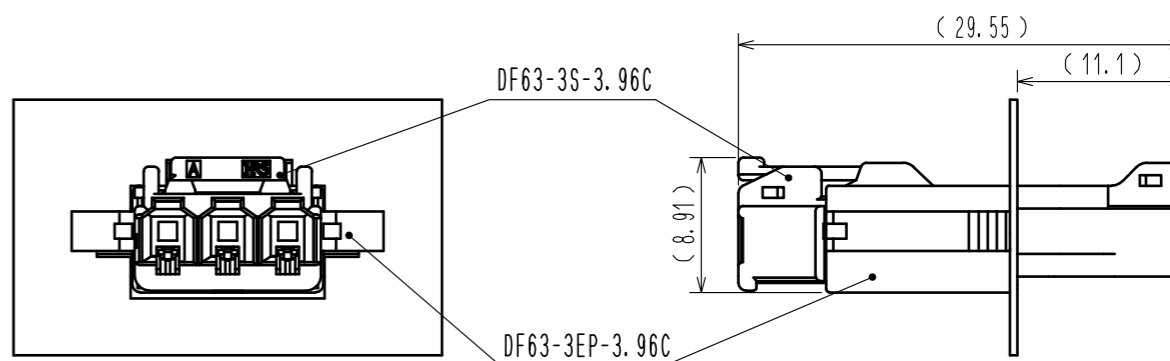


POS No.

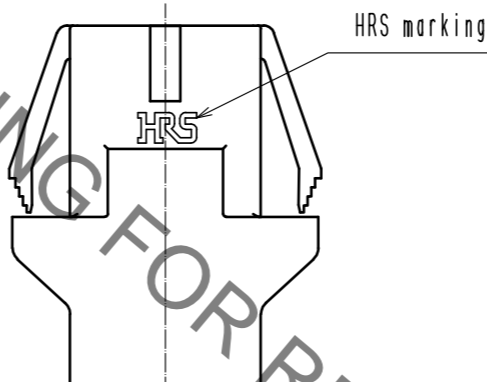
CAV No.

Contact No. indication

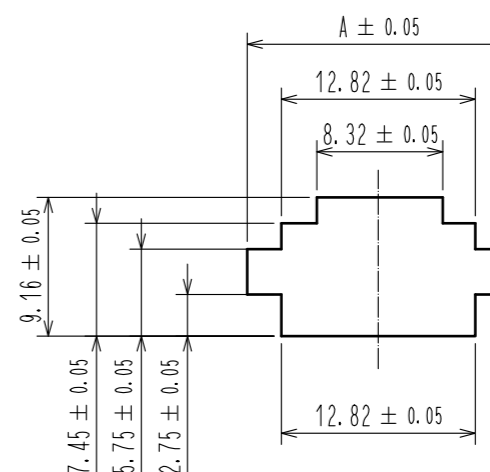
Mating figure(Panel mounting)



HRS DRAWING FOR REFERENCE



1 Recommended panel cutout dimension
3



Panel thickness	A
0.5~0.6	16.72
0.7~1.1	17.22
1.2~1.7	17.72
2.0~2.3	19.92

- 1 Please use non-radius side for the panel hooking area.
- 2 Applicable panel thicknessing is 2.3 to 0.5 mm.
- 3 Consult Hirose for the other panel cutout designs than recommended one.
- 4 Per pack : 100 pieces.
- 5 The dimensions in parenthesis are for reference.
- 6. UL(File No. E52653)
C-UL(File No. E52653)
TUV (Certificate No. R50318850) authorization article.



NO.	MATERIAL	FINISH . REMARKS	NO.	MATERIAL	FINISH . REMARKS
			1	PBT	UL94V-0(BLACK)
UNITS mm		SCALE 2 : 1	COUNT 1	DESCRIPTION OF REVISIONS DIS-H-00004211	DESIGNED TS. KUMAZAWA
					CHECKED SZ. ONO
					DATE 18.09.14
HRS	HIROSE ELECTRIC CO., LTD.	APPROVED : KI. AKIYAMA 15.02.18		DRAWING NO. EDC-361252-00-00	
		CHECKED : HK. UMEHARA 15.02.18		PART NO. DF63-3EP-3.96C	
		DESIGNED : YK. YAMAGUCHI 15.02.18		CODE NO. CL680-0532-7-00	
		DRAWN : YK. YAMAGUCHI 15.02.18			