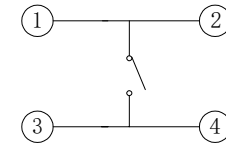
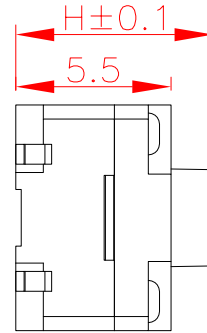
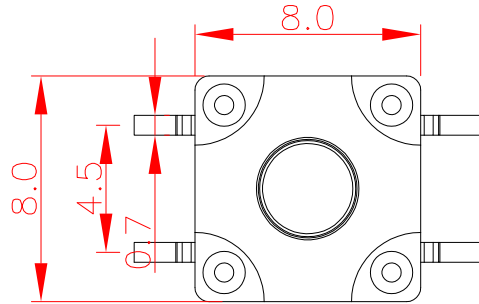
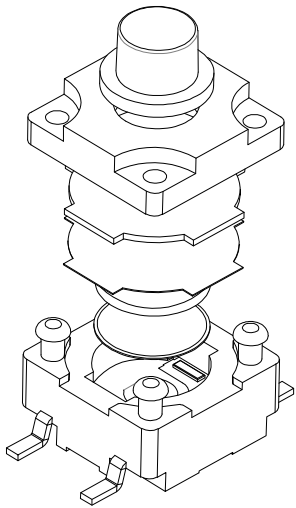


RoHS

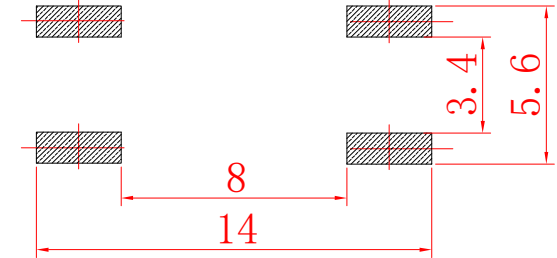
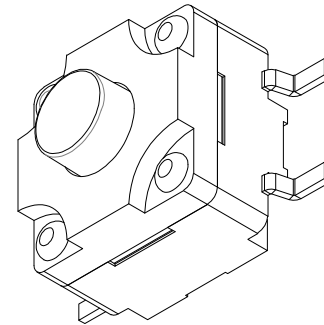
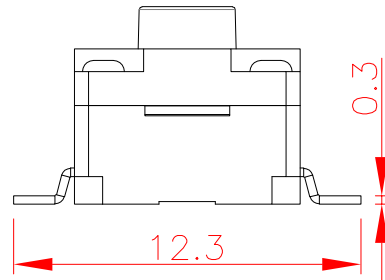


CAD GENERATED DRAWING. DON'T CHANGE BY HAND.

REV.	ECN. NO.	APPD.



CIRCUIT DIAGRAM



PCB. WELDING DRAWING

Specification

Operating Life	100,000
Contact rating	50mA@12V DC.
Insulation resistance	1011Ω min.
Contact resistance	100mΩ max. initial.
Dielectric Strength	250 V AC(1mm)
Travel	0.35±0.1mm
Storage Temperature	- 30° C to 85° C

Mechanical

ITEM	DESCRIPTION	MATERIAL	QTY	FINISH/COLOR
6	Button	PPA	1	Black
5	COVER	PPA	1	Black
4	DOME	Stainless Steel	1	Plated Ag
3	HOUSING	PPA	1	Black
2	PIN	PHOSPHOR BRONZE	1	Plated Ag
1	PAD	Silica	1	Black

Type	Operating Force (gf)	Height (mm)	Button Shape (J, T)	Leads (G, J, T)	Ground pin (0, 1)	Page Option (0, 1)
YTS1K017	2(250±50) 1(180±50)	Q	15.0	B (BLACO)	G	0 (None)
		P	13.0			
		O	12.0			
		N	11.0			
		M	10.0			
		L	9.0			
		K	8.5			
		J	8.0			
		H	7.5			
		G	7.0			
		F	6.5			

X. ±0.50	X.° ±2°	UNITS mm
.X ±0.30	.X° ±1°	
.XX ±0.10	.XX° ±0.5°	MAT'L
.XXX ±0.05		FINISH
THESE DRAWINGS AND SPECIFICATIONS ARE THE PROPERTY OF YIYUAN TECHNOLOGY CO.,LTD AND SHALL NOT BE REPRODUCED, COPIED OR USED IN ANY MANNER WITHOUT THE PRIOR WRITTEN CONSENT OF YIYUAN TECHNOLOGY CO.,LTD		Q' TY



深圳市怡远科技有限公司
SHENZHEN YIYUAN TECHNOLOGY CO., LTD

PART NO. YTS1K017	TITLE: TACTILE SWITCH 8*8 SMT WATERPROOF
APPD: ROGER	DWG NO.: YTS1K017
CHKD: ROC	SCALE SHEET REV. 1/1 1/1 A1
DR: BILLY WANG 2020/08/21	