

NOTES:

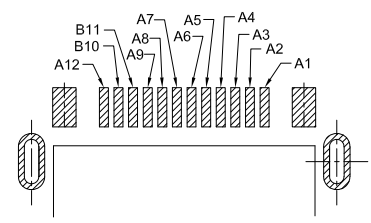
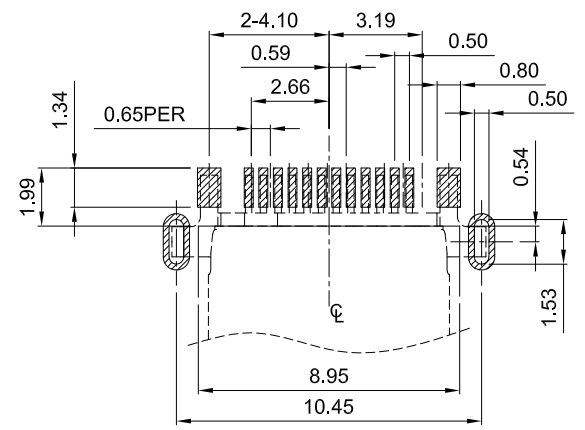
特性: Specifications

电器 Electrical:

接触阻抗: 初始最大不超过40mΩMax,测试后变化值不超过10mΩMax
 耐电压: AC200V 60S/MIN,0.5mA Max:DC500V,60S/MIN,100QMax
 绝缘阻抗: 100M ohms MIN

电镀规格:

端子: 半金锡, 接触点镀金1u, 焊线处镀锡40-80u.
 外壳: 镀镍盐雾48H (备注: 可依客户要求电镀外壳)
 卡钩: 前镍后锡
 环保要求: ROHS,REACH标准.
 包装方式: 依客户需求 (建议使用REEL包装)



PIN 位图示



A1	A2	A3	A4	A5	A6	A7	A8	A9	A10	A11	A12
GND	TX1+	TX1-	VBUS	CC1	D+	D-	SBU1	VBUS			GND
	RX1+	RX1-									
B12	B11	B10	B9	B8	B7	B6	B5	B4	B3	B2	B1
Main body	LCP black high temperature resistant plastic						Shell		stainless steel 201.		
Sheath	LCP black high temperature resistant plastic						Hook		Stainless steel 301.		
Terminal	C5191 t = 0.15mm						EMI		stainless steel 301		
Name	Texture of material						Name		Texture of material		

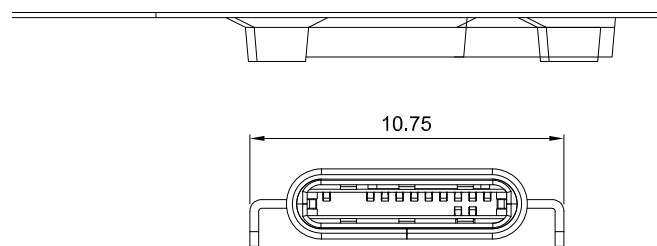
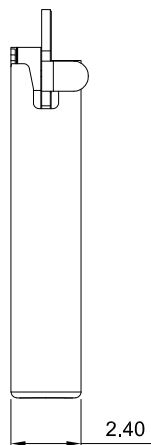
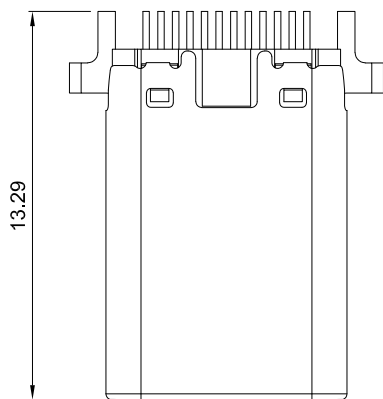
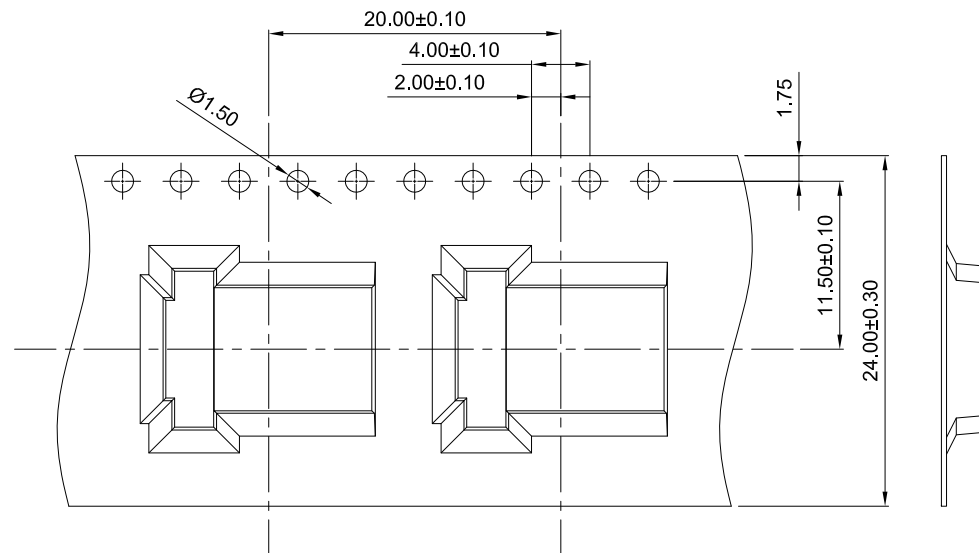
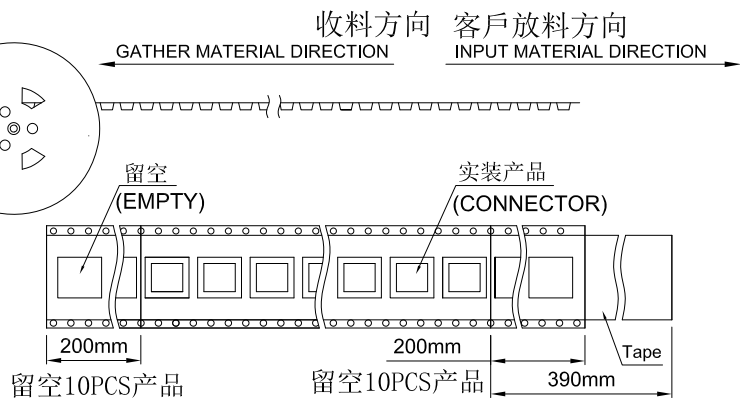
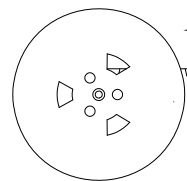
品赞科技
G-Switch

Unless otherwise specified, Tolerance:
 X. ±0.30
 X.x ±0.20
 X.xx ±0.15
 X.xxx ±0.10
 Angles ±3°

G-Switch Electronic (HongKong) CO.,Ltd.

DESIGN Li Qingqi	DATE 2022.04.09	Molde code:	
CHECKED	DATE	GT-USB-8016B	
APPROVED	DATE		
http://www.dg-switch.com		REV.: X1	SCALE: 12:1
TEL:0769-82388879		UNIT: mm	
SIZE: A4	SHEET: 1/1		

RECOMMENDED P.C.B. LAYOUT
 TOLERANCE UNSPECIFIED ±0.05mm



NOTE: ALL DIMENSIONS TOLRERANCE ARE:
1. ±0.25mm UNLESS OTHERWISE NOTED.
2. COMPONENT LOAD BY 13" REEL



G-Switch Electronic (HongKong) CO.,Ltd.

Unless otherwise specified, Tolerance:
X. ±0.30
X.x ±0.20
X.xx ±0.15
X.xxx ±0.10
Angles ±3°

DESIGN Li Qingqi DATE 2022.04.09
CHECKED DATE
APPROVED DATE
<http://www.dg-switch.com>
TEL:0769-82388879

Molde code:
GT-USB-8016B
REV.: X1 SCALE: 12:1 UNIT: mm
SIZE: A4 SHEET: 1/1

