

CONNECTOR FRONT EDGE
RECOMMENDED P.C.B. LAYOUT
TOLERANCE UNSPECIFIED ±0.05mm

NOTES:
SPECIFICATION:

1. CURRENT RATING: 8A MAX
2. VOLTAGE: 20V MAX.WITHSTANDING VOLTAGE: 100V AC
3. TEMPERATURE RANGE: -30 °C ~ 85 °C
4. CONTACT RESISTANCE: 40 MILLIONHM MAX
5. INSULATION RESISTANCE: 100 MEGOHMS MIN.
6. INSERTION FORCE : 5N~20N
7. UNMATING FORCE: 8N~20N
8. DURABILITY: 10,000 CYCLES

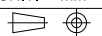
A1	A2	A3	A4	A5	A6	A7	A8	A9	A10	A11	A12
GND	TX1+	TX1-	VBUS	CC1	D+	D-	SBU1	VBUS	RX2-	RX2+	GND
GND	RX1+	RX1-	VBUS	SBU2	D-	D+	CC2	VBUS	TX2-	TX2+	GND
B12	B11	B10	B9	B8	B7	B6	B5	B4	B3	B2	B1
6	SHELL		STAINLESS STEEL SUS201				NI/SN Plated				1PCS
5	SHIELDING PLATE		STAINLESS STEEL SUS304				---				1PCS
4	MD		HIGH TEMPERATURE PLASTIC				BIUE				1PCS
3	CONTACT		COPPER ALLOY C18400		Au15U*/NI50U*/AU1U* Plated						1SET
2	CONTACT		COPPER ALLOY C18400		Au15U*/NI50U*/AU1U* Plated						1SET
1	HOUSING		HIGH TEMPERATURE PLASTIC				BLACK				1PCS
NO.	DESCRIPTION		MATERIAL				REMARKS				QTY

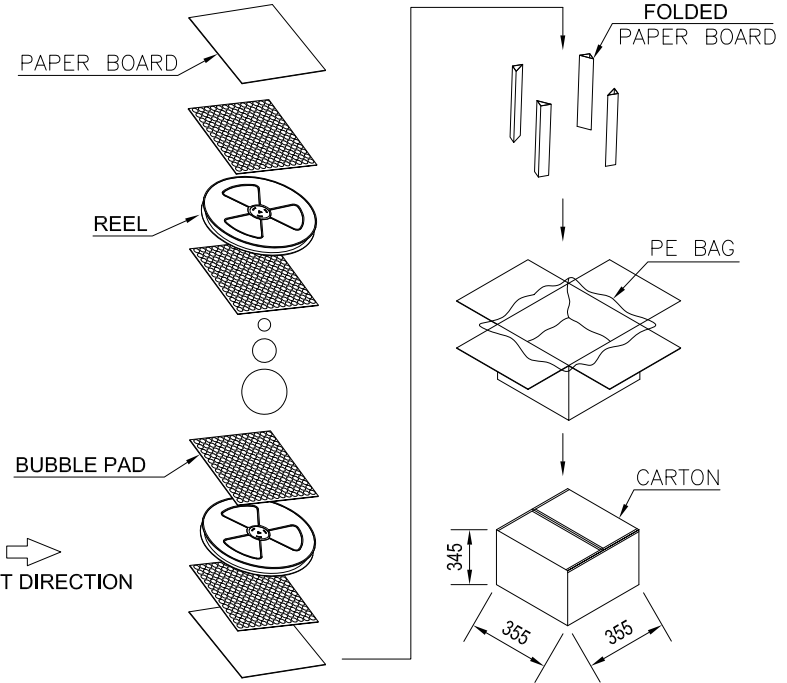
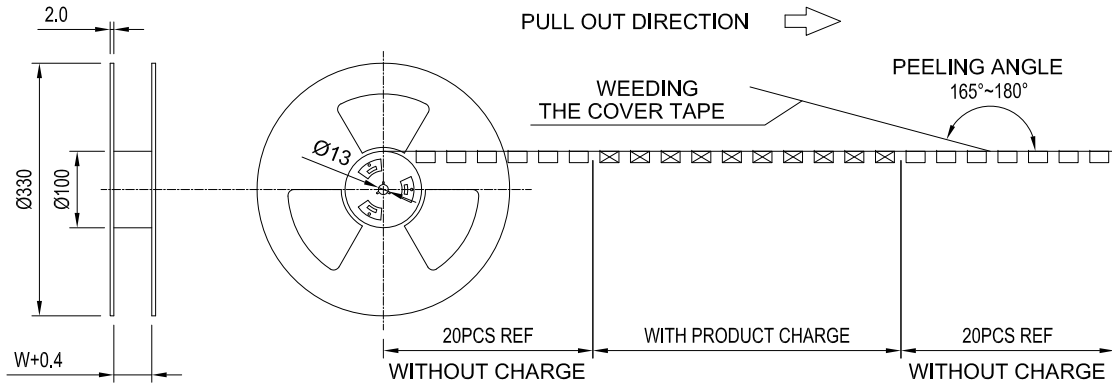


G-Switch Electronic (HongKong) CO.,Ltd.

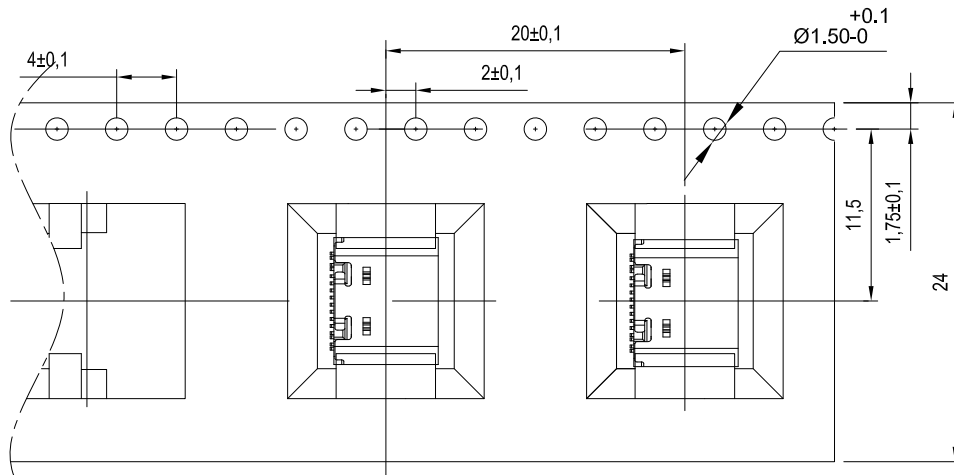
Unless otherwise specified, Tolerance:
 X. ±0.30
 X.x ±0.20
 X.xx ±0.15
 X.xxx ±0.10
 Angles ±3°


DESIGN Li Qingqi	DATE 2022.04.28	Molde code:	
CHECKED	DATE	GT-USB-7010EN	
APPROVED	DATE		
http://www.dg-switch.com		REV.: X1	SCALE: 4:1
TEL:0769-82388879		UNIT: mm	
		SIZE: A4	SHEET: 1/1





NOTE:
1. QUANTITY: 1000 PCS/REEL, 10000PCS/CARTON.



 G-Switch Electronic (HongKong) CO.,Ltd.		DESIGN Li Qingqi		DATE 2022.04.28		Molde code:	
		CHECKED		DATE		GT-USB-7010EN	
Unless otherwise specified, Tolerance: X. ±0.30 X.x ±0.20 X.xx ±0.15 X.xxx ±0.10 Angles ±3°		APPROVED		DATE		REV.: X1	
http://www.dg-switch.com		TEL:0769-82388879		SCALE: 4:1		UNIT: mm	
		SIZE: A4		SHEET: 1/1		