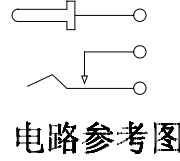
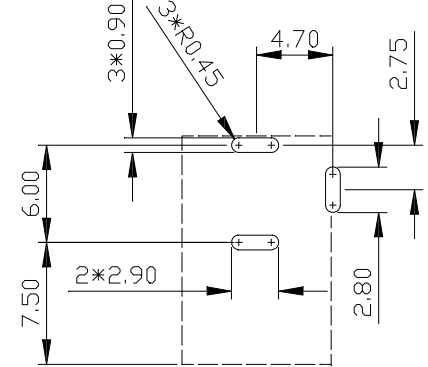
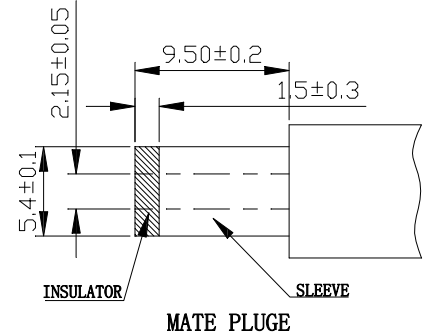
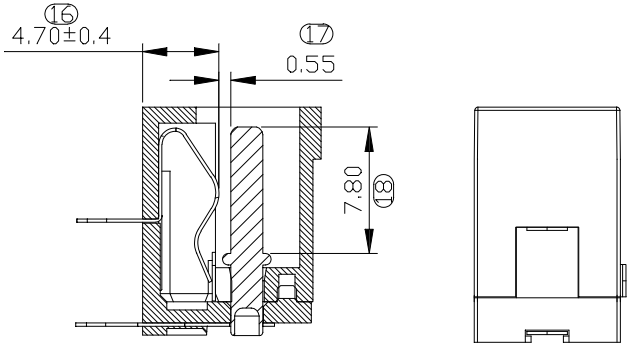
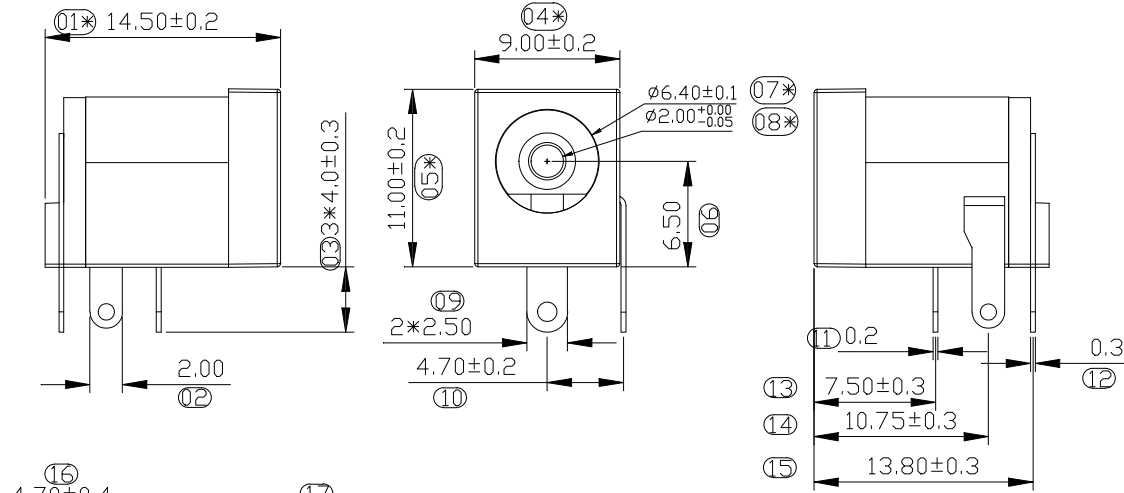


RoHS 2.0

REV.	ECN NO.	DESCRIPTION	DATE	DESIGN



NOTES:

- MATERIAL:
  - HOUSING: PBT ,COLOR IS BLACK,UL94V-0;
  - CONTACT: BRASS ;
- FINISH: PLATED OVER NI&SN;
- RECINNEBDED PCB THICKNESS: 1.60mm MIN;
- ELECTRICAL:
  - VOLTAGE RATING: 30V DC ;
  - CURRENT RATING: 2A ;
  - CONTACT RESISTANCE: 35MILLIOHMS MAX.;
  - WITHSTAND VOLTAGE: 500 VAC RMS 50(60)Hz,1MIN.;
  - INSULATION RESISTANCE: 100MEGOHMS MIN @500V DC;
- MECHANICAL:
  - MATING FORCE: 25N MAX.;
  - UNMATING FORCE:3~25N ;
  - OPERATING LIFE: 5000 CYCLES MIN.;
- SALT SPRAY TEST: 24H;
- SOLDERABILITY: 245±5°C,5±0.5S;
- RESISTANCE TO SOLDER: 260±0.5°C,10±1S;
- ENVIRONMENTAL:
  - STORAGE TEMPERATURE RANGE: -40°C~+85°C;
  - OPERATION TEMPERATURE RANGE: -25°C~+70°C;
- THE MARK WITH "\*" IS THE KEY INSPECTION DIMENSION FOR QC.

E	芯针	铁	镀镍锡
D	PIN脚	铁	镀镍锡
C	弹片	不锈钢	CUS304 镀镍锡
B	后塞	PBT	黑色
A	底座	PBT	黑色
序号	品名	材质	电镀/颜色 备注

**深圳市华灿天禄电子有限公司**

UNLESS OTHERWISE, GENERAL TOLERANCE: X.xxx ±0.10 X.xx ±0.20 X.x ±0.30	NAME: DC-005 (φ 2.0 铁芯)	P/N: HC-DC-005-2.0T		
	THIRD ANGLE PROJECTION 	UNIT: mm	SCALE: 1:1	SIZE: A4
ANGULAR: X.xx° ±1° X.x° ±3° X.° ±5°	DRAWN: Lihui	CHECKED: Yangguangrong	SHEET: 1/1	REV.: AO
		APPROVED Tangguanlin		