

### TY - 400 P

#### Description:

The TY series transformers are used for a variety of applications including impedance matching, isolation, repeat coil, line balancing, bridging and hybrid circuit.

#### Electrical Specifications at 25° C:

Impedance (Ohms)		Max. DC Current (mA)	Typ. Insertion Loss (dB)	Typ. Return Loss (dB)	Typ. Freq. Response (dB)	DCR (Ohms)	
Pri	Sec					Pri	Sec
600	600	90	1.75	15	±.5	76.5	108

#### Designed to meet FCC Part 68

**Longitudinal Balance:** (FCC 68.310) – 60 dB min. 200 – 1000 Hz  
45 dB min. 1000 – 4000 Hz

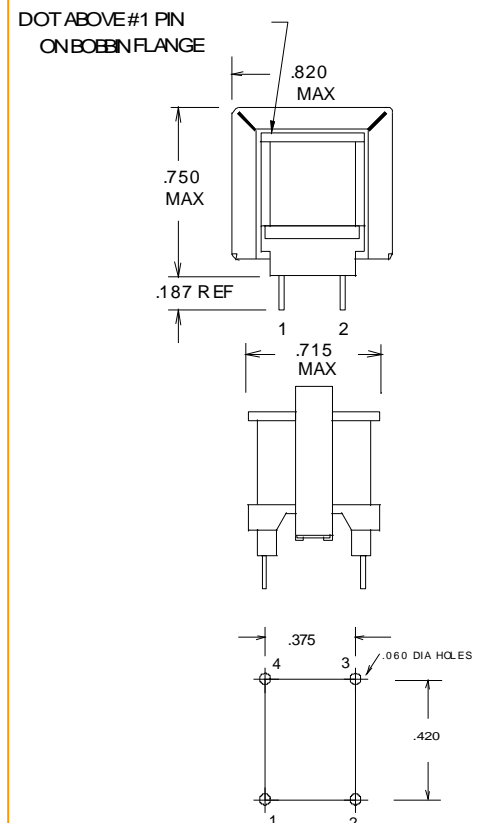
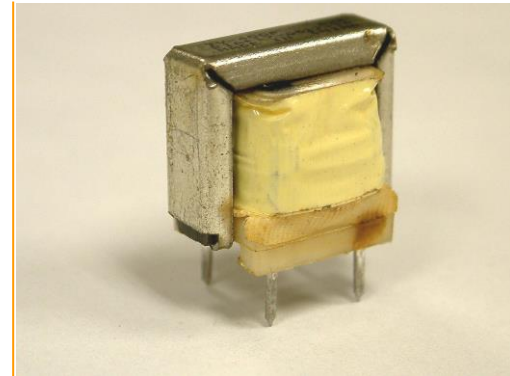
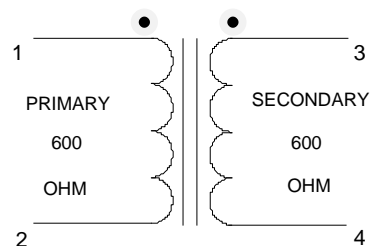
**Dielectric Strength:** (FCC 68.304) – 1500VAC

**Power Level:** -45 dBm to +7 dBm

**Frequency Range:** 300 to 3500 Hz

**Operating Temperature:** -20°C ~ 85°C

#### Electrical Schematic:



**RoHS Compliance:** As of manufacturing date February 2016, all standard products meet the requirements of 2015/863/EU, known as the RoHS 3 initiative.

\*Upon printing, this document is considered "uncontrolled". Please contact Triad Magnetics website for the most current version. For soldering and washing information please see <http://www.triadmagnetics.com/faq.html>