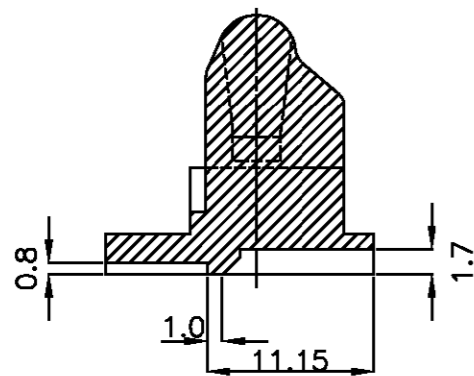
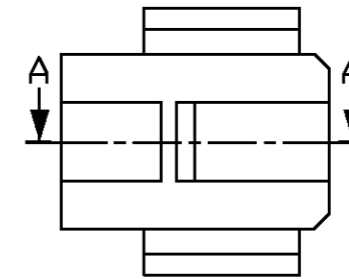
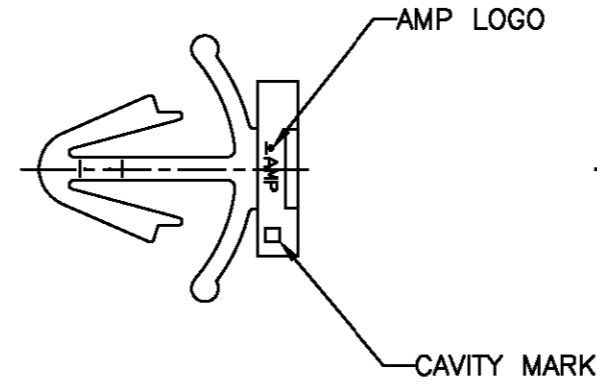
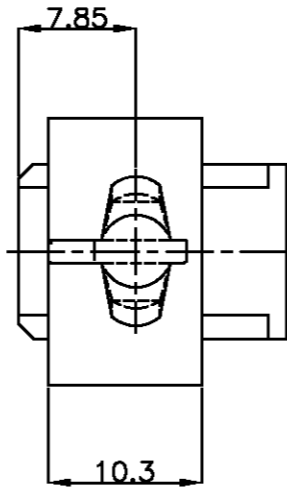
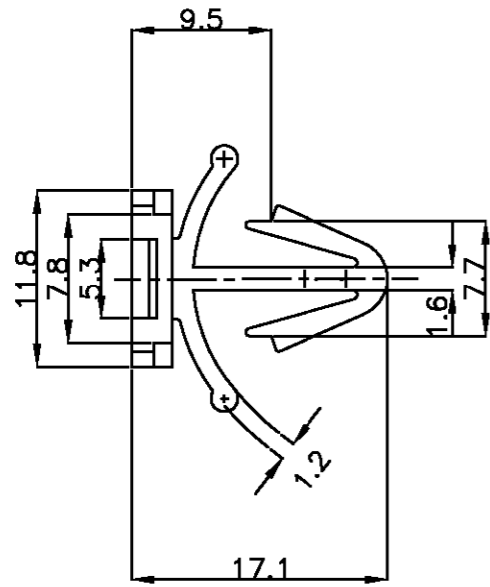
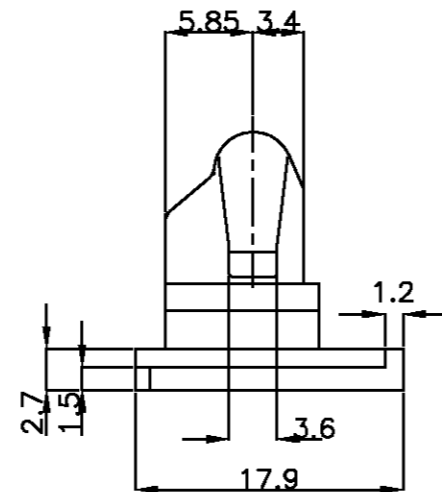


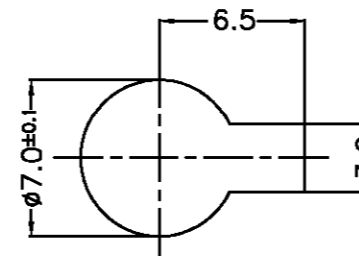
P	LTR	DESCRIPTION	DATE	DWN	APVD
	□	RELEASED(FCOO-0126-02)	08/OCT/'02	KT	CS



SECTION A-A



PANEL HOLE SIZE



PANEL THICKNESS: 2.5-3.5mm

NOTES

- △ MATERIAL: NYLON66
- △ COLOR

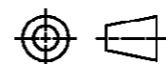
BLACK	0-936286-2
NATURAL	0-936286-1
COLOR	PART NO.

THIS DRAWING IS A CONTROLLED DOCUMENT FOR AMP INCORPORATED. IT IS SUBJECT TO CHANGE AND THE CONTROLLING ENGINEERING ORGANIZATION SHOULD BE CONTACTED FOR THE LATEST REVISION.

DIMENSIONS: MM

TOLERANCES UNLESS OTHERWISE SPECIFIED:

± 0.2  
ANGLES ± 3°



3rd ANGLE PROJECTION

MATERIAL



FINISH/COLOR



DWN KT LIM

CHK JK SONG

APVD CS LEE

PRODUCT SPEC

APPLICATION SPEC

WEIGHT



AMP KOREA.  
kyungsan, korea

NAME

CLIP FOR .090III CONN. (Ø7 KEY HOLE)

SIZE

CAGE CODE

DRAWING NO

A3

00779

©

936286

SCALE 2/1

SHEET 1

OF 1

REV 0