

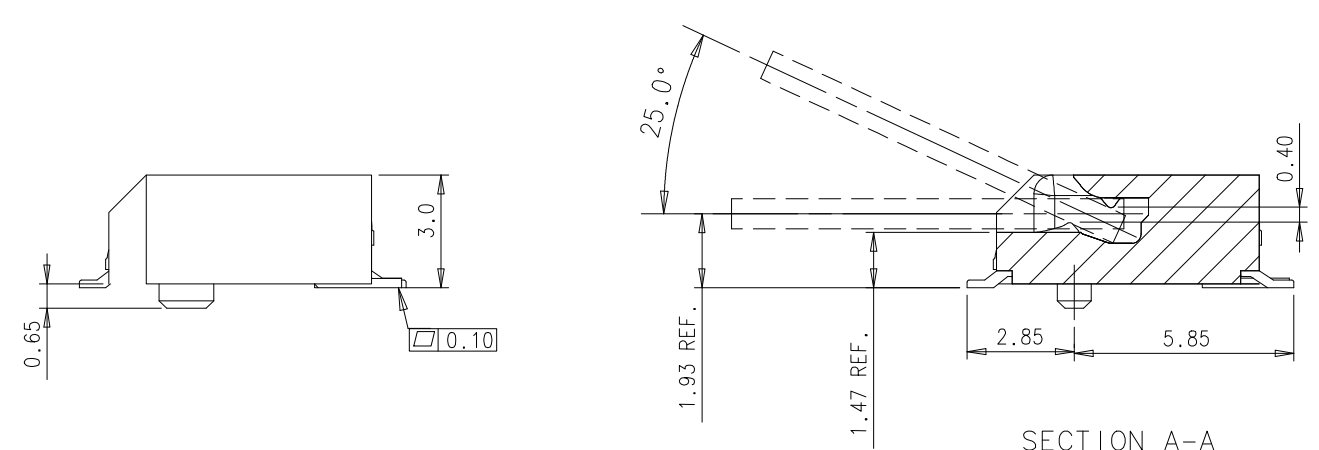
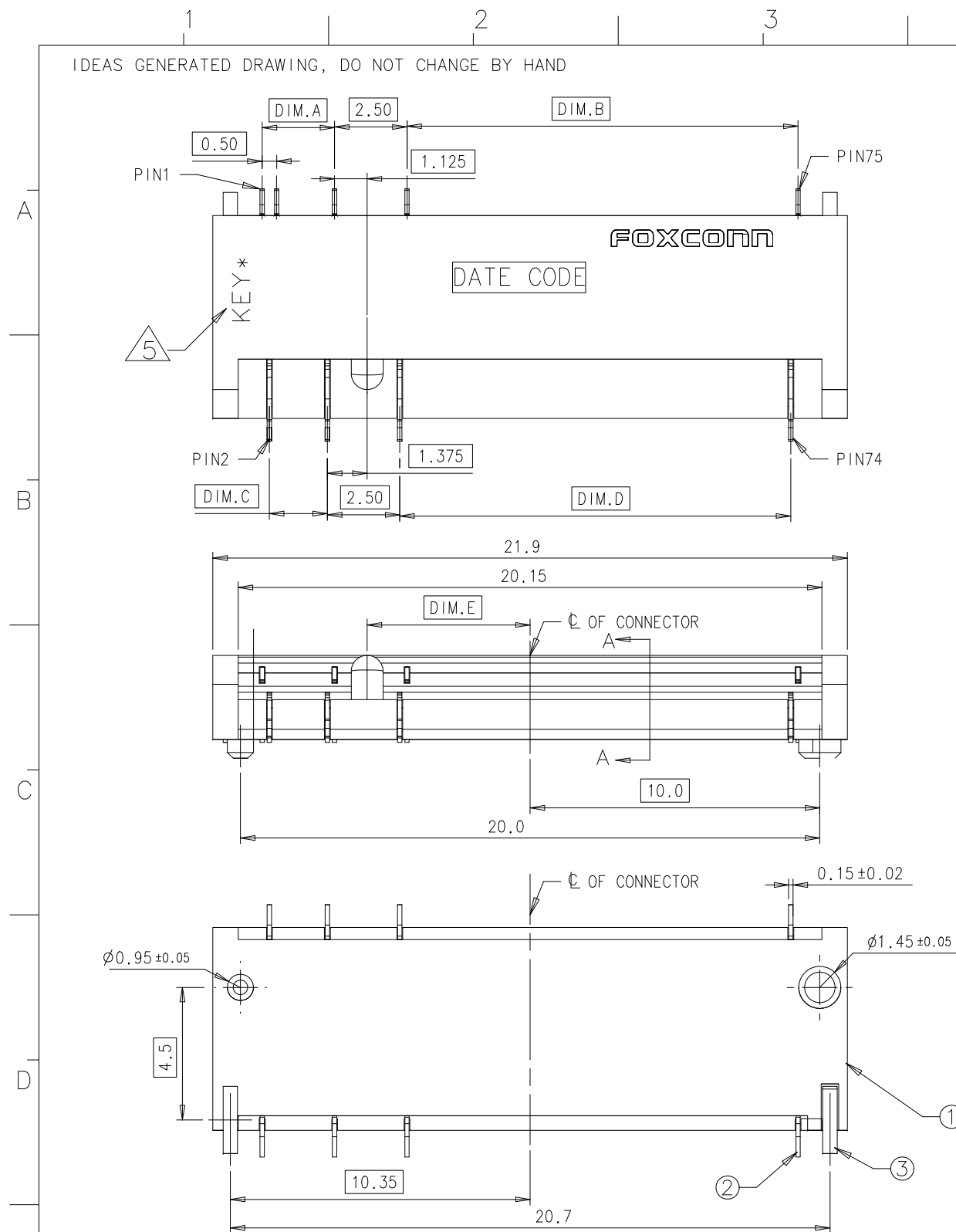
IDEAS GENERATED DRAWING, DO NOT CHANGE BY HAND

REV.	ECN. NO.	APPD.
X1	PKD280049	Y.H.Mao
X2	PKD280069	Bruce Wu
X3	PKD290006	Bruce Wu
X4	PKD290071	Bruce Wu

NOTES:

- ELECTRICAL CHARACTERISTICS:
 - CONTACT CURRENT RATING: 0.5 AMPERE MAX. PER PIN.
 - VOLTAGE RATING: 50V AC.
 - INSULATION RESISTANCE :500 MEGAOHMS MIN. AT 500V DC.
 - DIELECTRIC WITHSTANDING VOLTAGE: 300V AC RMS AT 60Hz, FOR 1 MINUTE.
 - CONTACT RESISTANCE: 55 MILLIOHMS MAX. PER PIN INITIAL.
 $\Delta R=20$ MILLIOHMS MAX. PER PIN AFTER FULL ENVIRONMENT TESTING.
 - MECHANICAL CHARACTERISTICS: DURABILITY:50 MATING CYCLES.
 - OPERATION TEMPERATURE:-40°C TO +80°C.
 - PLEASE CONTACT FOXCONN SALES REPRESENTATIVE TO VERIFY PRODUCT DETAIL & AVAILABILITY.
- \triangle KEY LABEL "*" IS A CAPITAL LETTER PER THE PART NO.

PROPOSAL



KEY A	6.625	14.5	1.0	14.5	1.5	ASOBC2*-S30BA-7H
KEY E	2.625	10.5	5.0	10.5	5.5	ASOBC2*-S30BE-7H
KEY B	5.625	13.5	2.0	13.5	2.5	ASOBC2*-S30BB-7H
KEY M	6.125	1.5	14.0	2.0	14.0	ASOBC2*-S30BM-7H
KEY NAME	DIM.E	DIM.D	DIM.C	DIM.B	DIM.A	P/N
③	BOARD LOCK	2	COPPER ALLOY	50u" NICKEL UNDER PLANTING, 30u" PURE TIN PLATING OVER ALL		
②	CONTACT	67	COPPER ALLOY	50u" NICKEL UNDER PLATING GOLD FLASH PLATING AT TAIL AREA 10u" GOLD PLATING AT CONTACT AREA		
①	HOUSING	1	THERMOPLASTIC	UL94V-0, HALOGEN FREE		
ITEM	DESCRIPTION	Q'TY	MATERIAL	TREATMENT		

PART NO. DESCRIPTION: A S O B C 2 * - S 30 B * - 7 H

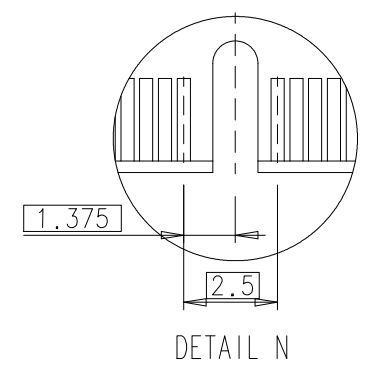
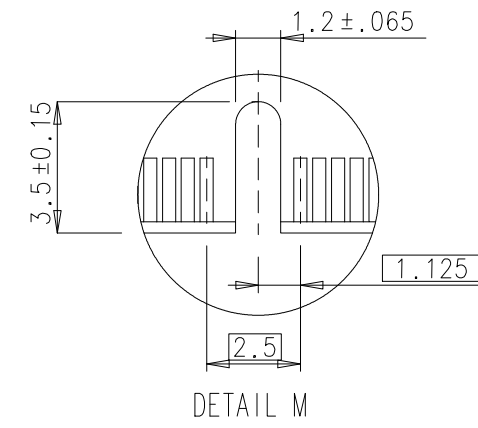
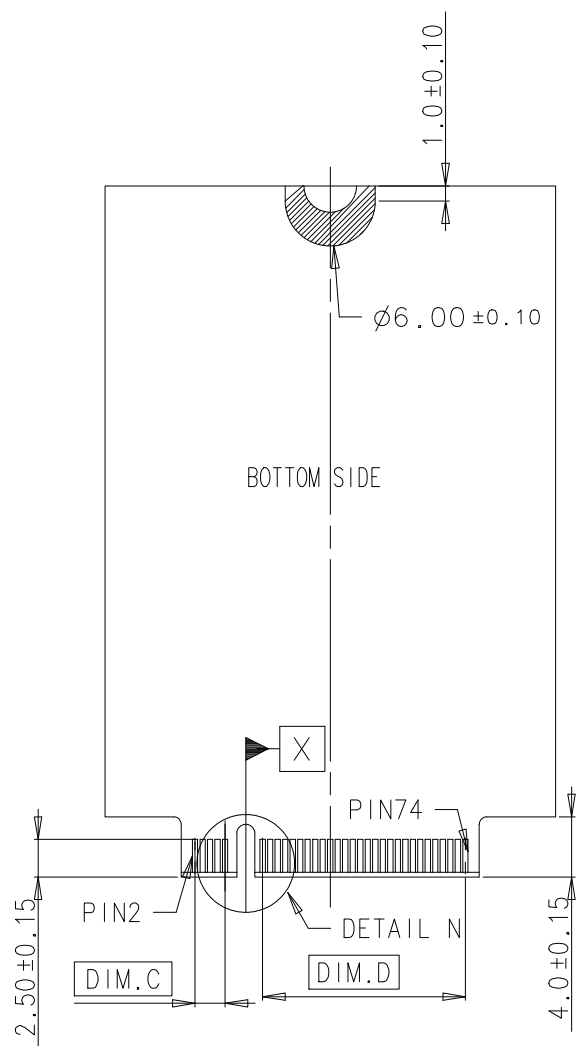
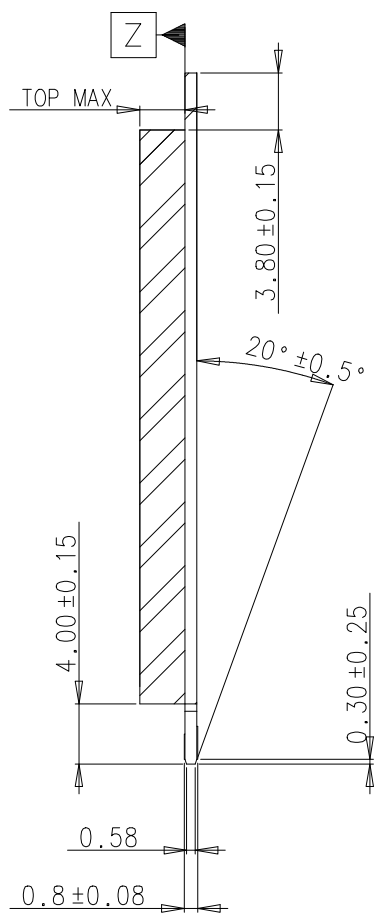
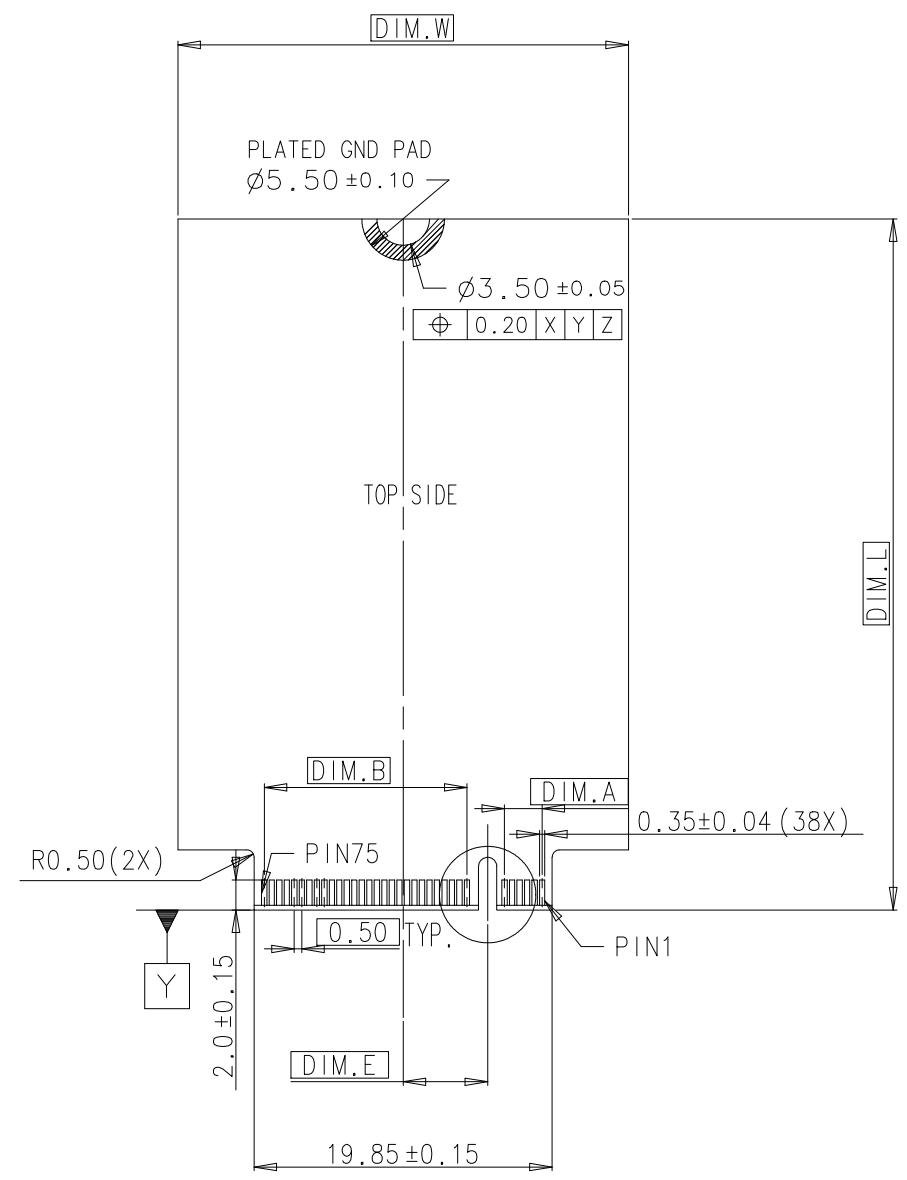
MEMORY MODULE SOCKET
 HORIZONTAL TYPE
 SINGLE ROW
 BC=0.5P 67POS. NGFF
 SMT
 CONTACT AREA PLATING
 1=GOLD FLASH
 6=10u" GOLD PLATING

7=TAPE&REEL
 KEY NAME (INCLUDE A&B&E&M)
 B=BLACK COLOR
 30=3.0mm HEIGHT
 STANDARD TYPE

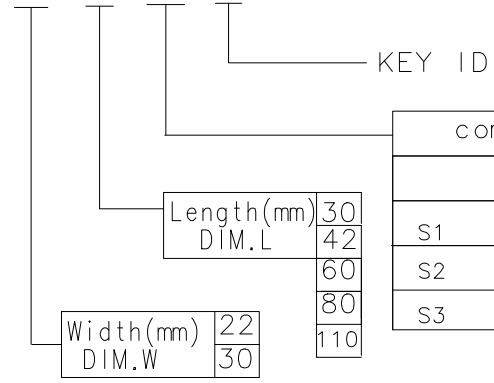
X. ± 0.30	X° ± 2°	UNITS mm	NAME (INTENDED USE) NGFF MINI PCI CONNECTOR	FOXCONN HON HAI PRECISION IND. CO., LTD. TAIPEI, TAIWAN, R.O.C.
.X ± 0.25	.X° ± 1°			
.XX ± 0.15	.XX° ±	FINISH	PART NO. (INTENDED USE) ASOBC2*-S30B*-7H	TITLE: CUSTOMER DRAWING
.XXX ±	.XXX° ±			
THESE DRAWINGS AND SPECIFICATIONS ARE THE PROPERTY OF HON HAI PRECISION IND. CO., LTD. AND SHALL NOT BE REPRODUCED, COPIED OR USED IN ANY MANNER WITHOUT THE PRIOR WRITTEN CONSENT OF HON HAI PRECISION IND. CO., LTD.			APPD: Bruce Wu CHKD: Alex Wang DR: FL LIU 9/27'12	DWG NO.: 317-0000-S30BX
Q'TY		SCALE: N/A		

IDEAS GENERATED DRAWING, DO NOT CHANGE BY HAND

REV.	ECN. NO.	APPD.



TYPE XX XX-XX-X



component	MAX H	
	Top MAX	Bottom MAX
S1	1.2	0
S2	1.35	0
S3	1.5	0

PROPOSAL

KEY M	6.625	14.5	1.0	14.5	1.5
KEY A	6.625	14.5	1.0	14.5	1.5
KEY E	2.625	10.5	5.0	10.5	5.5
KEY B	5.625	13.5	2.0	13.5	2.5
KEY NAME	DIM.E	DIM.D	DIM.C	DIM.B	DIM.A

X. ± 0.30	X.° ± 2°	UNITS mm	NAME (INTENDED USE) NGFF MINI PCI CONNECTOR
.X ± 0.25	.X° ± 1°		
.XX ± 0.15	.XX° ±	FINISH	PART NO. (INTENDED USE) AS0BC2*-S30B*-7H
.XXX ±	.XXX° ±		

APPD: Bruce Wu

CHKD: Alex Wang

DR: FL LIU 9/27'12

FOXCONN
HON HAI PRECISION IND. CO., LTD.
TAIPEI, TAIWAN, R.O.C.

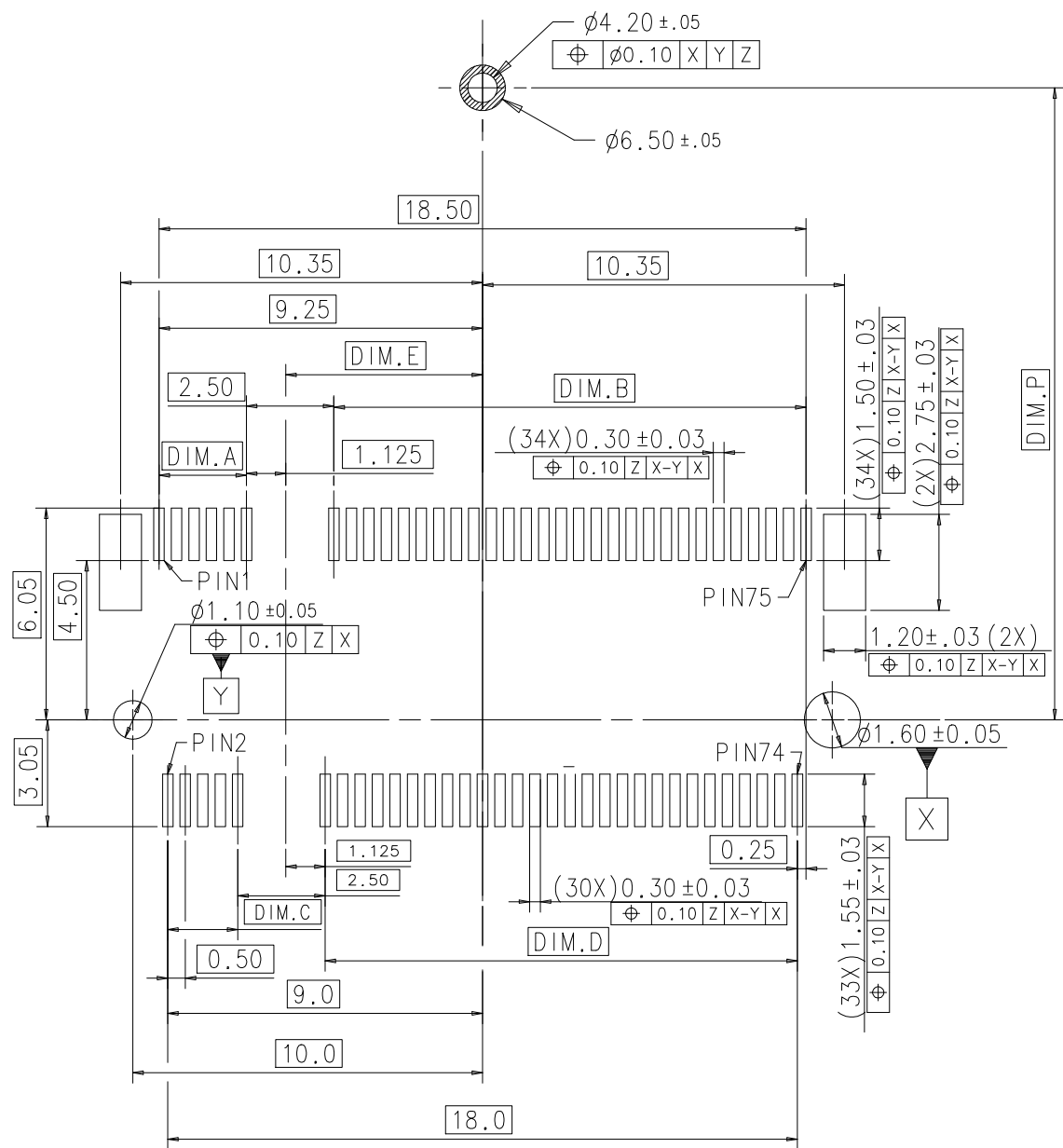
TITLE:
CUSTOMER DRAWING

DWG NO.:
317-0000-S30BX

SCALE	SHEET	REV.
N/A	2/4	X4

THESE DRAWINGS AND SPECIFICATIONS ARE THE PROPERTY OF HON HAI PRECISION IND. CO., LTD. AND SHALL NOT BE REPRODUCED, COPIED OR USED IN ANY MANNER WITHOUT THE PRIOR WRITTEN CONSENT OF HON HAI PRECISION IND. CO., LTD.

REV.	ECN. NO.	APPD.



RECOMMENDED P.C.B LAYOUT

PROPOSAL

22110	108.25
2280	78.25
2260	58.25
3042	40.25
2242	40.25
3030	28.25
2230	28.25
TYPE	DIM.P

KEY A	6.625	14.5	1.0	14.5	1.5
KEY E	2.625	10.5	5.0	10.5	5.5
KEY B	5.625	13.5	2.0	13.5	2.5
KEY M	6.125	1.5	14.0	2.0	14.0
KEY NAME	DIM.E	DIM.D	DIM.C	DIM.B	DIM.A

X. ± 0.30	X°. ± 2°	UNITS	mm
.X ± 0.25	.X°. ± 1°	MAT'L	
.XX ± 0.15	.XX°. ±	FINISH	
.XXX ±	.XXX°. ±	Q'TY	

THESE DRAWINGS AND SPECIFICATIONS ARE THE PROPERTY OF HON HAI PRECISION IND. CO., LTD. AND SHALL NOT BE REPRODUCED, COPIED OR USED IN ANY MANNER WITHOUT THE PRIOR WRITTEN CONSENT OF HON HAI PRECISION IND. CO., LTD.

NAME (INTENDED USE)	NGFF MINI PCI CONNECTOR
PART NO. (INTENDED USE)	AS0BC2*-S30B*-7H
APPD:	Bruce Wu
CHKD:	Alex Wang
DR:	FL LIU 9/27'12

FOXCONN
HON HAI PRECISION IND. CO., LTD.
TAIPEI, TAIWAN, R.O.C.

TITLE:
CUSTOMER DRAWING

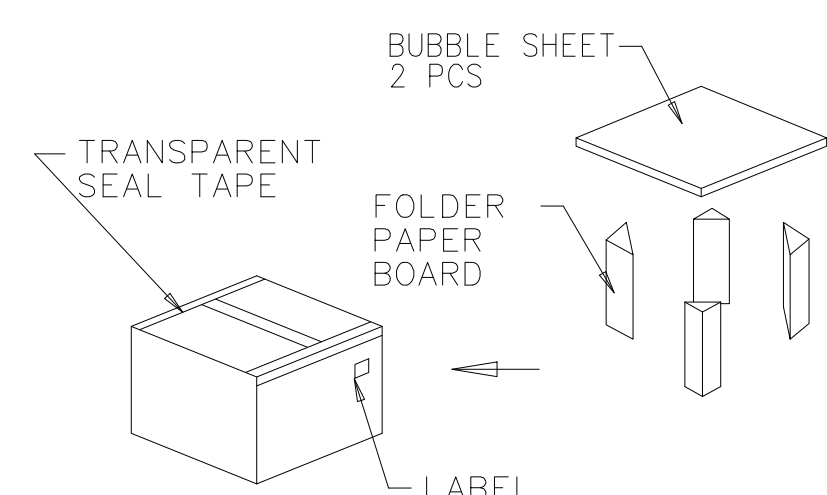
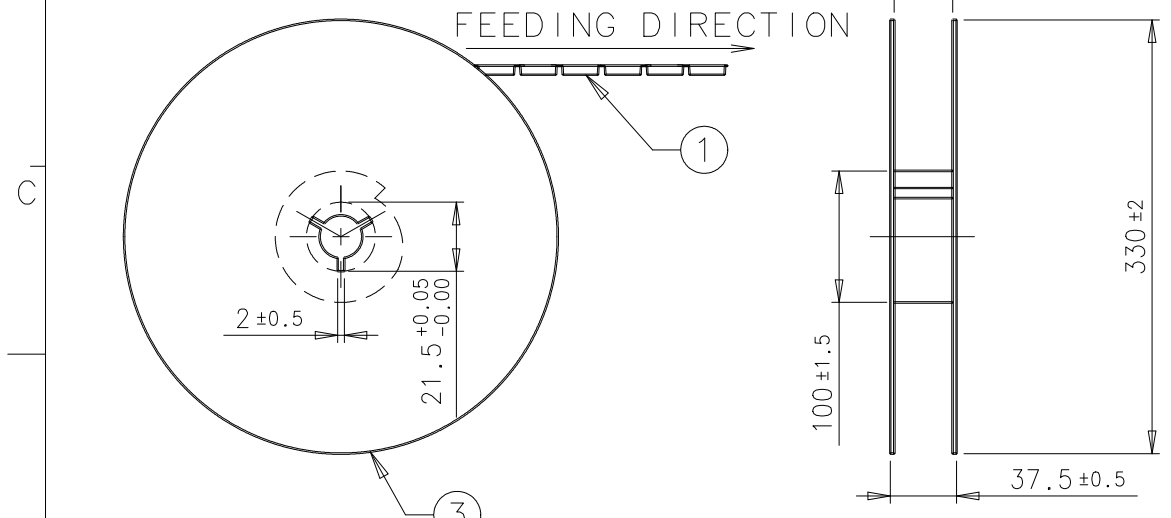
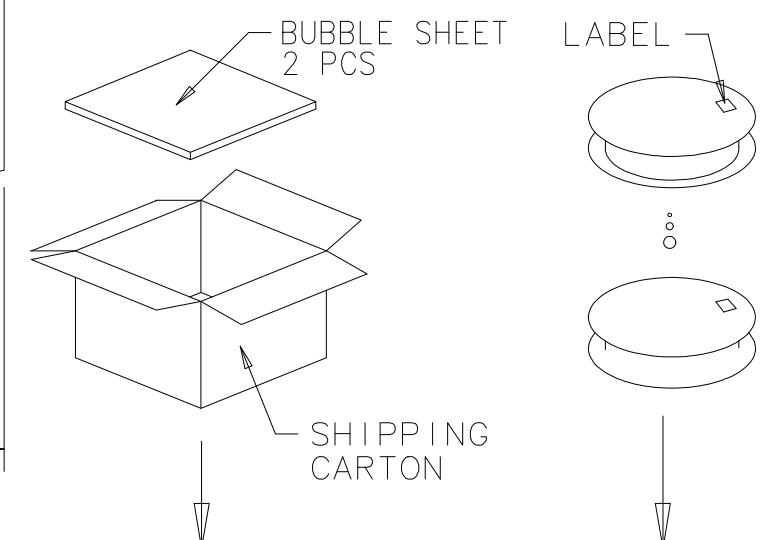
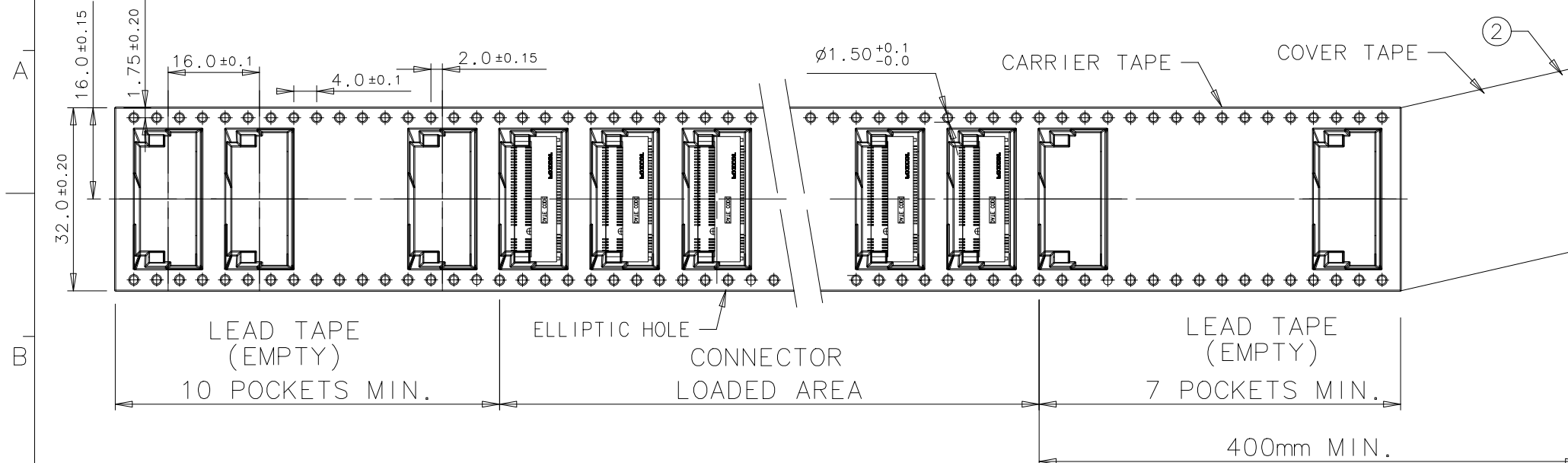
DWG NO.:
317-0000-S30BX

SCALE	SHEET	REV.
N/A	3/4	X4

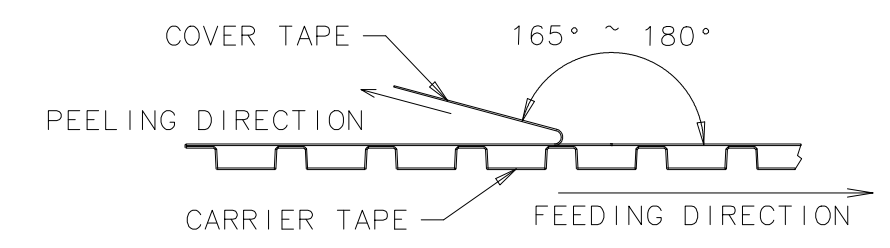
IDEAS GENERATED DRAWING, DO NOT CHANGE BY HAND

REV.	ECN. NO.	APPD.

FEEDING DIRECTION



- NOTES:
1. 10 POCKETS HOLE PITCH CUMULATIVE TOLERANCE $\pm 0.20\text{mm}$.
 2. COVER TAPE PEELING STRENGTH : 0.01 kgf MIN & 0.13 kgf MAX. AT 300mm/min.



③	REEL	POLYSTYRENE
②	COVER TAPE	POLYESTER
①	CARRIER TAPE	POLYSTYRENE
ITEM	DESCRIPTION	MATERIAL

X. ± 0.30	X° ± 2°	UNITS mm	NAME (INTENDED USE) NGFF MINI PCI CONNECTOR	FOXCONN HON HAI PRECISION IND. CO., LTD. TAIPEI, TAIWAN, R.O.C.
.X ± 0.25	.X° ± 1°			
.XX ± 0.15	.XX° ±	FINISH	PART NO. (INTENDED USE) AS0BC2*-S30B*-7H	TITLE: CUSTOMER DRAWING
.XXX ±	.XXX° ±		APPD: Bruce Wu	DWG NO.: 317-0000-S30BX
THESE DRAWINGS AND SPECIFICATIONS ARE THE PROPERTY OF HON HAI PRECISION IND. CO., LTD. AND SHALL NOT BE REPRODUCED, COPIED OR USED IN ANY MANNER WITHOUT THE PRIOR WRITTEN CONSENT OF HON HAI PRECISION IND. CO., LTD.			Q'TY	CHKD: Alex Wang
			DR: FL LIU 9/27'12	

PROPOSAL

CONNECTOR P/N AS0BC2*-S30B*-7H