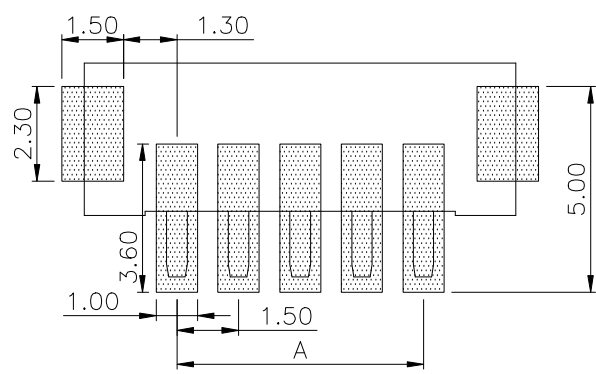
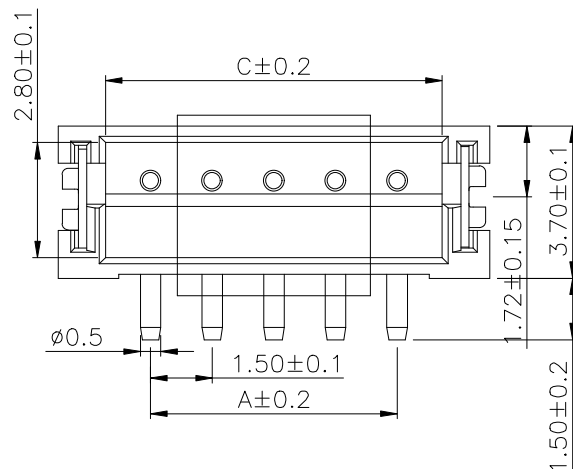
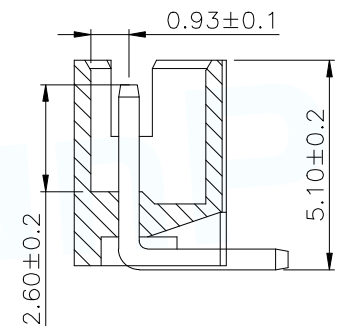
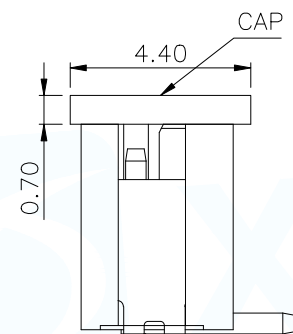
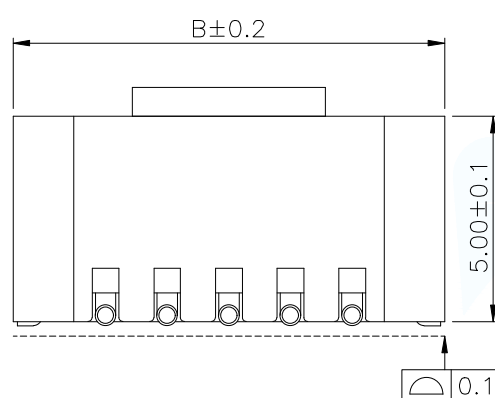


Part No	Pin	A	B	C
WAFER-ZH1.5-2PLB	2	1.50	6.00	3.65
WAFER-ZH1.5-3PLB	3	3.00	7.50	5.15
WAFER-ZH1.5-4PLB	4	4.50	9.00	6.65
WAFER-ZH1.5-5PLB	5	6.00	10.50	8.15
WAFER-ZH1.5-6PLB	6	7.50	12.00	9.65
WAFER-ZH1.5-7PLB	7	9.00	13.50	11.15
WAFER-ZH1.5-8PLB	8	10.50	15.00	12.65
WAFER-ZH1.5-9PLB	9	12.00	16.50	14.15
WAFER-ZH1.5-10PLB	10	13.50	18.00	15.65
WAFER-ZH1.5-11PLB	11	15.00	19.50	17.15
WAFER-ZH1.5-12PLB	12	16.50	21.00	18.65
WAFER-ZH1.5-13PLB	13	18.00	22.50	20.15
WAFER-ZH1.5-14PLB	14	19.50	24.00	21.65
WAFER-ZH1.5-15PLB	15	21.00	25.50	23.15
WAFER-ZH1.5-16PLB	16	22.50	27.00	24.65



NOTES:

- 1.BASE: LCP
- 2.PIN: Brass
- 3.Solder Tab: Brass

SPECIFICATIONS:

- 1.Spacing: 1.5
- 2.Voltage Rating: 250V AC DC
- 3.Current Rating: 1A AC DC
- 4.Insulation Resistance: 500MΩ Min
- 5.Contact Resistance: 20mΩ Max
- 6.Withstanding voltage: 500V AC 1/Minute
- 7.Temperatuer Range: -25℃ ~+ 85℃

MANUFACTURE DWG			东莞市讯普电子科技有限公司 DongGuan XunPu Electronics Co.,Ltd	
UNLESS OTHERWISE SPECIFIED TOLERANCES			TITLE: WAFER 1.50 立贴	
DECIMALS:	ANGLES:	CUSTOMER COPY	PAR	WAFER-ZH1.5-NPLB
X.:±0.2	X'.:±5°		DWN	
.X:±0.1	X.X':±3°		CHKD	
.XX:±0.05	X.XX':±1°		APVD	
		SCALE1:1	UNIT:MM	
		SIZE:A4	SHEET:1F1	REV:A