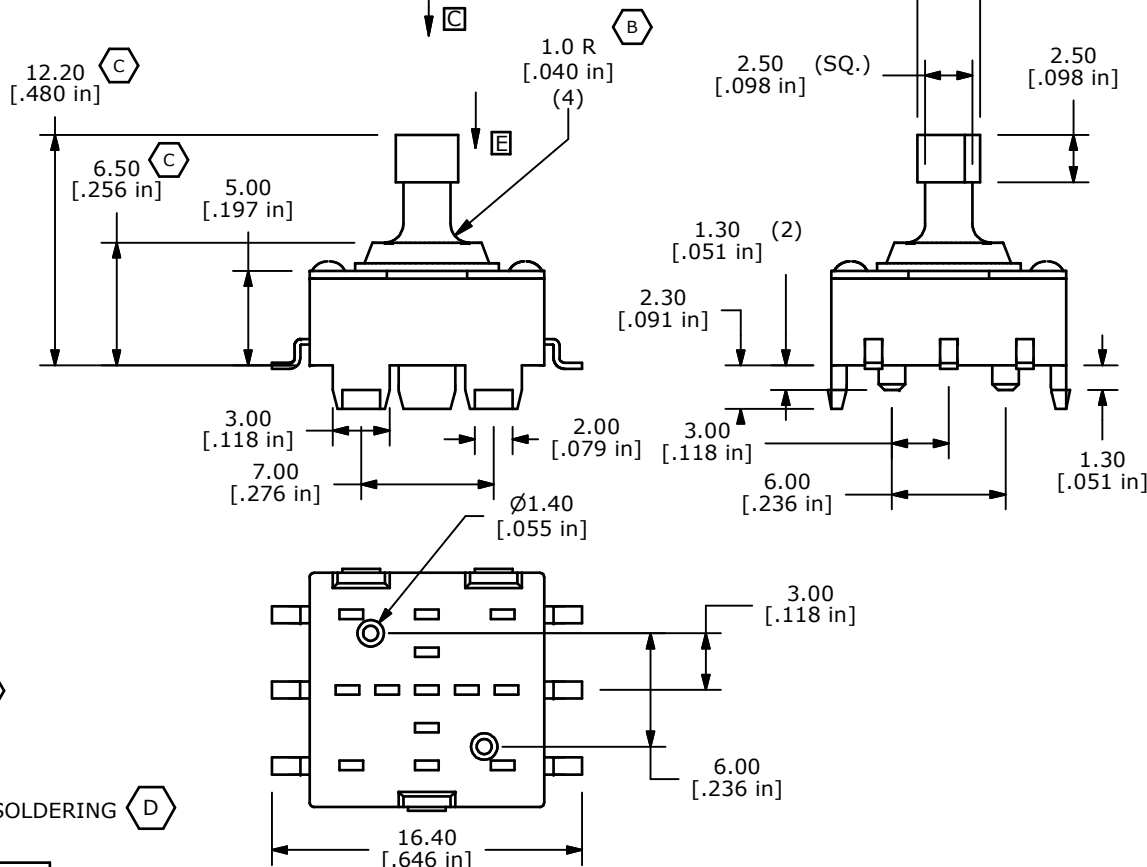
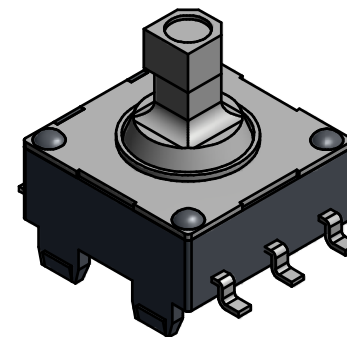
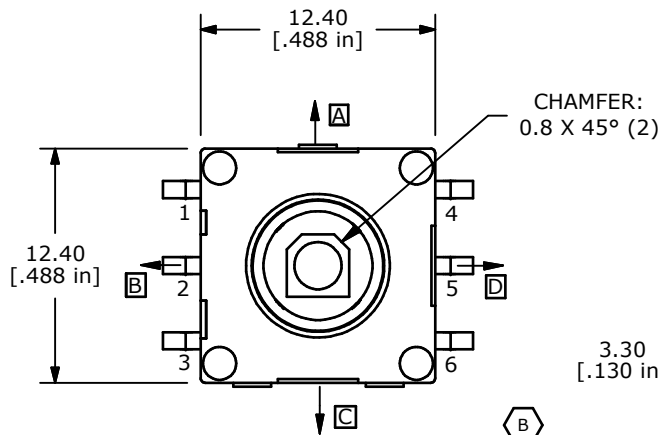



- NOTES:**
1. ALL DIMENSIONS IN MM [INCH]
  2. TERMINAL NUMBERS FOR REF. ONLY
  3. TOLERANCE: X.X=±0.4 X.XX=±0.25
  - ▲4. TRAVEL: LEVER 8°±2°; PUSH: 1.0mm +/- 0.2
  5. RATING: 20mA @ 15 VDC
  6. OPERATION FORCE: LEVER=280 +/- 100 gf; PUSH=500 +/- 150 gf
  7. CONTACT RESISTANCE: 100 mΩ MAX.
  8. LIFE CYCLES 100,000 CYCLES MIN.
  7. ▲DENOTES CRITICAL PARAMETER
  8. 2002/95/EC (ROHS) COMPLIANT
  - ▲9. MADE FROM HIGH TEMPERATURE MATERIALS SUITABLE FOR REFLOW SOLDERING



D	21347	ADD HIGH TEMPERATURE MATERIAL NOTE	1/9/14	EBP
C	19723	CHANGED DIMS was 12.02 & 6.59	2/28/11	BGL
B	19120	1mm R ADDED TO ACTUATOR STEM	6/4/10	BLR
A	10243	Release For Production	6/16/99	MM
REV	PCR NO	DESCRIPTION	DATE	BY



**TITLE JS5208**

SCALE	DATE	DR	DWG	REV
2.5 : 1	6/4/2010	BLR	P200020	D