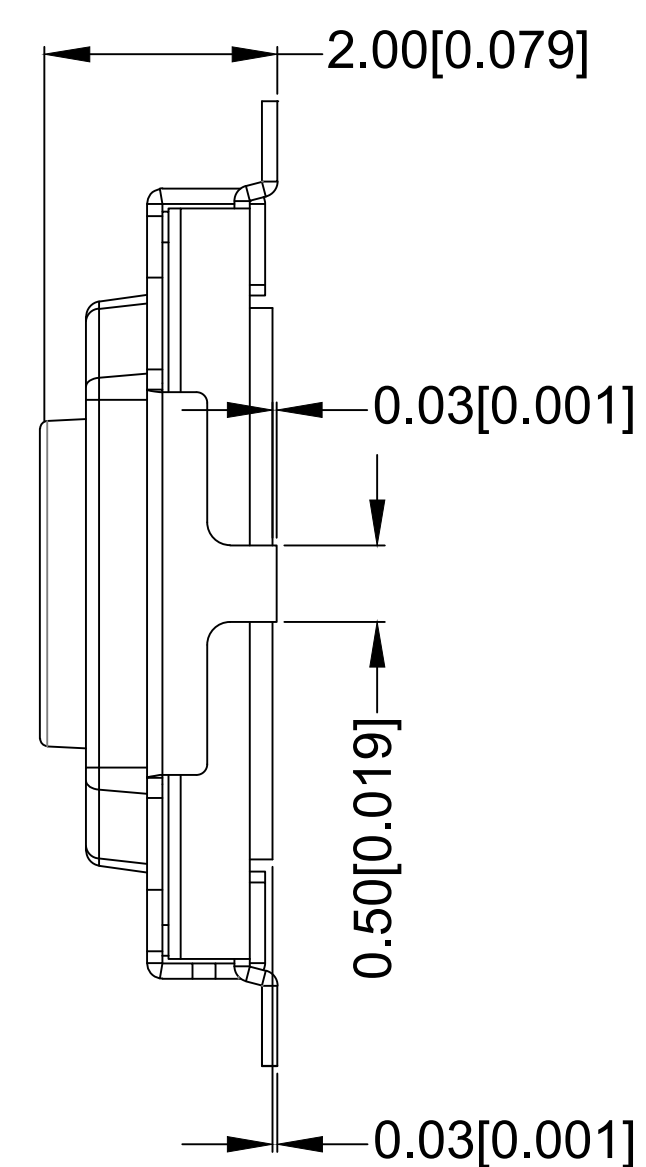
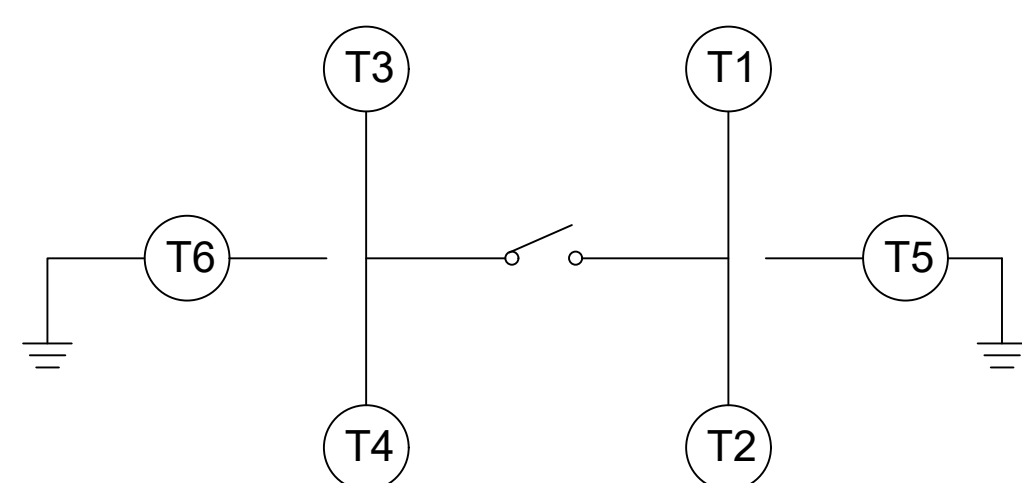
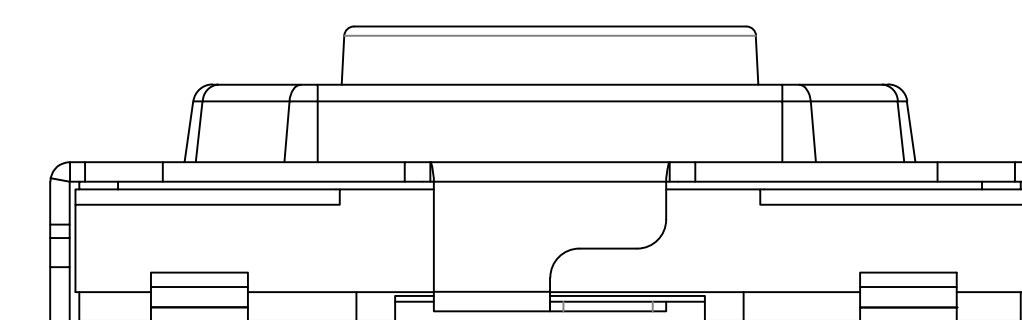
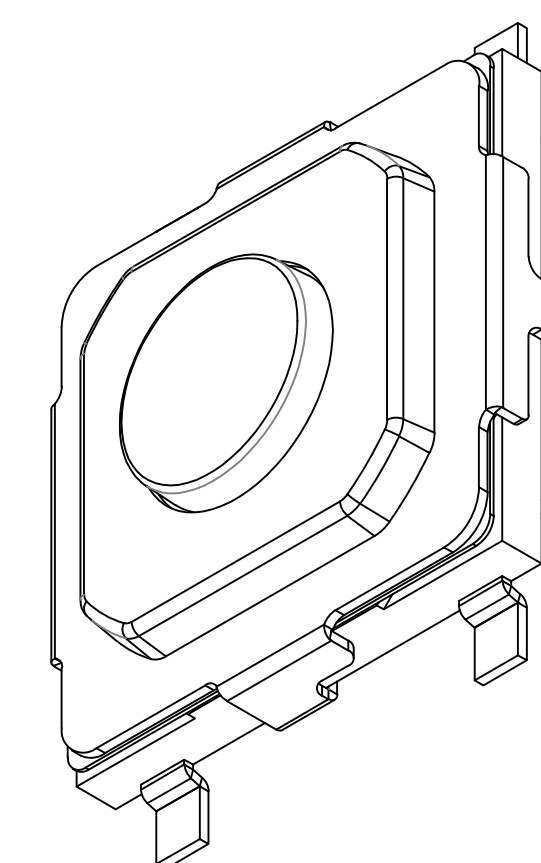
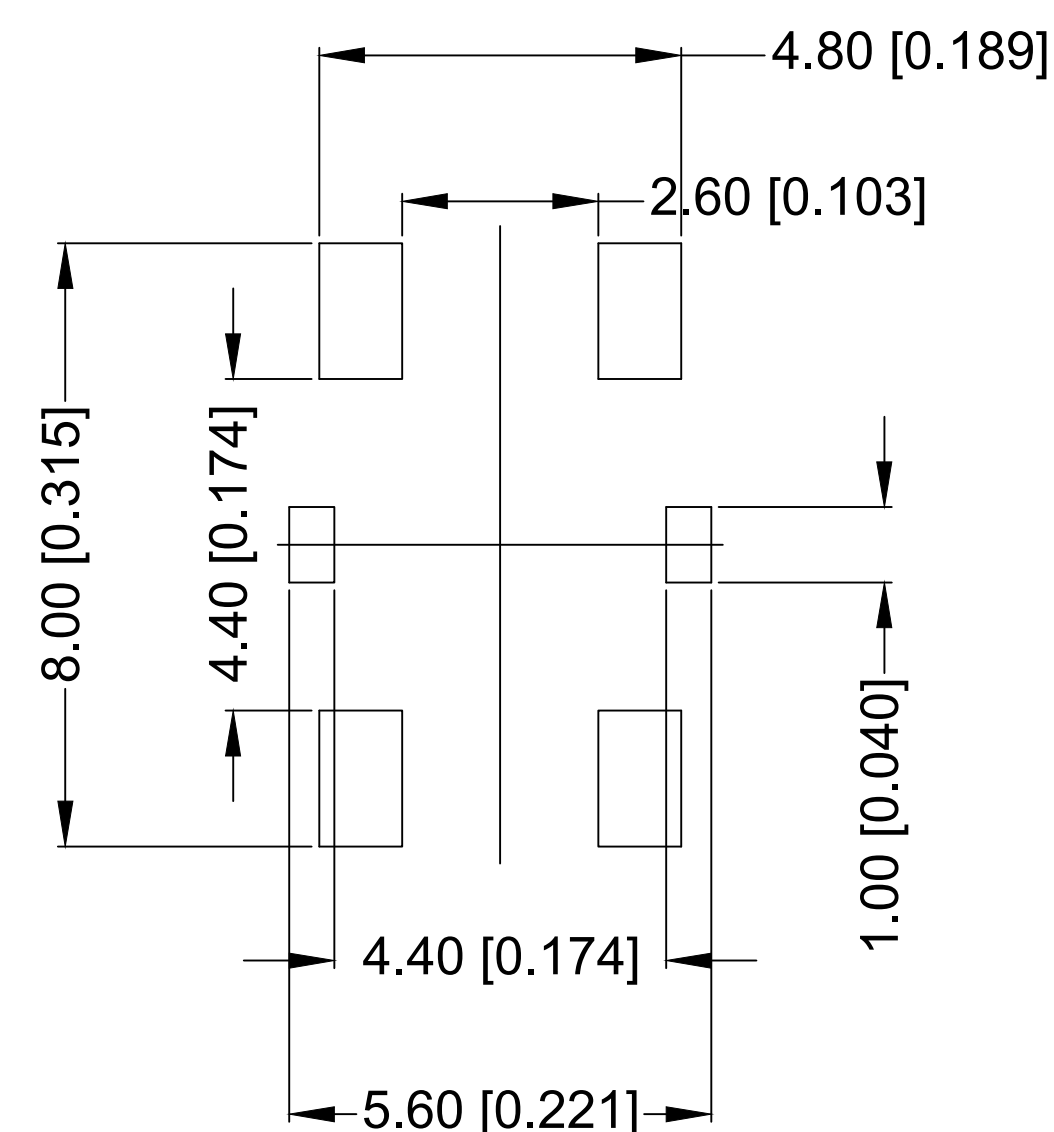


Circuit Diagram



PCB.layout



Main Specifications:

主要技术指标:

Climate grade: -30°C ~ + 80°C

气候等级: -30°C ~ + 80

Rated values: Max50 Ma12V, DC Min10 uA1V DC

额定值: Max50 Ma12V, DC Min10 uA1V DC

Contact resistance: ≤100m Ω

接触电阻: ≤100m Ω

Dielectric strength: 250V AC 1Min

耐压: 250V AC 1Min

Insulation resistance: ≥100MΩ

绝缘电阻: ≥100MΩ

Travel: 0.20±0.10mm

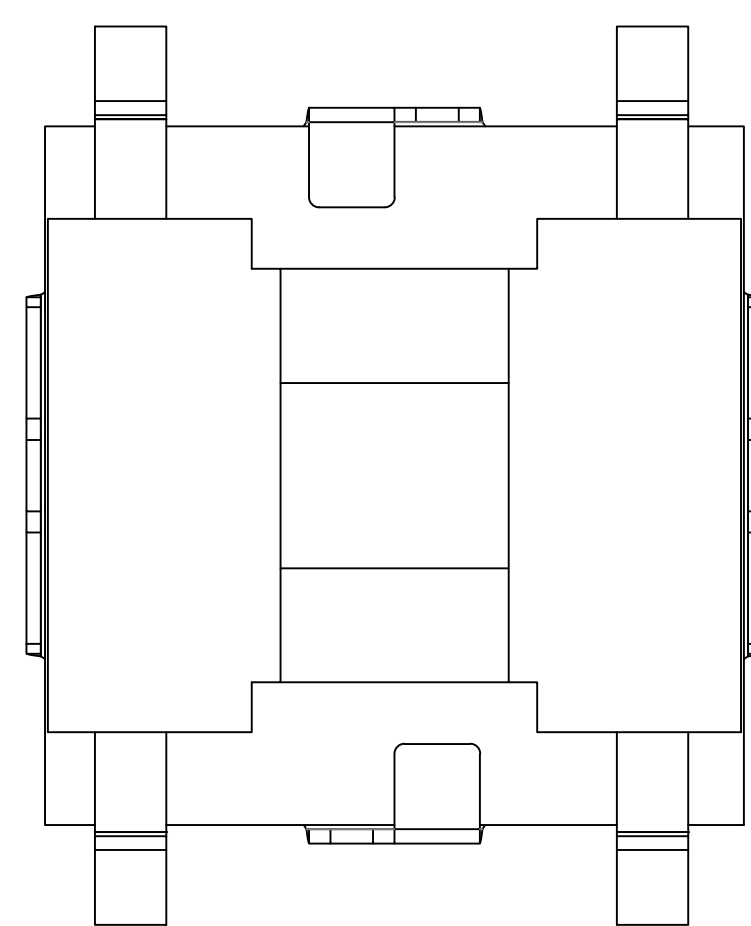
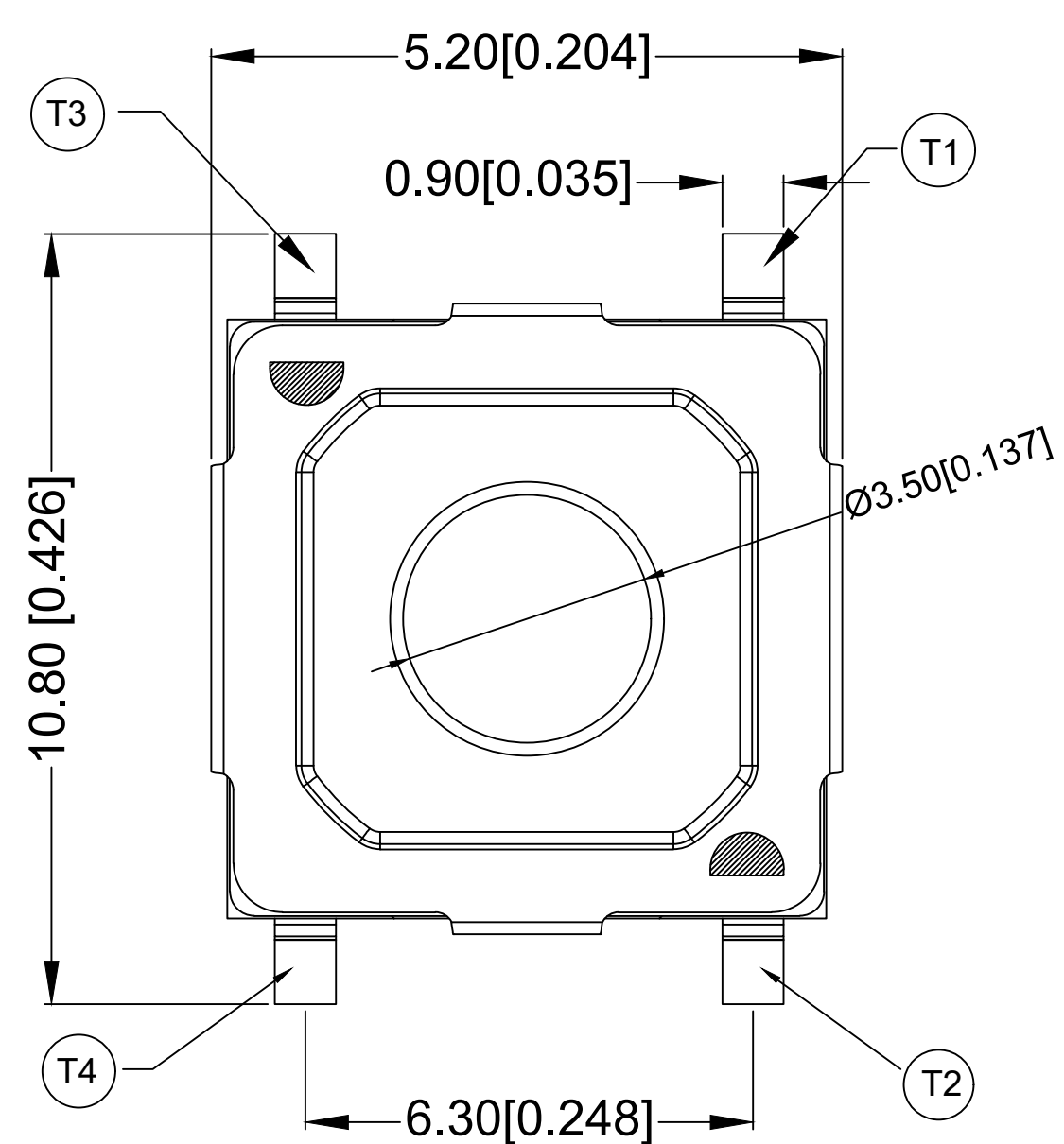
行程: 0.20±0.10mm

Operating force: 260±50gf

操作力: 260±50gf

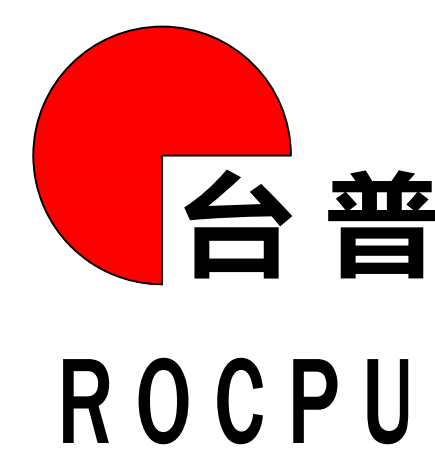
Life: 200,000

寿命: 200,000



NO	Name	PCS	Materials	Notes
6	Upper cover 上盖	1	SUS 不锈钢	
5	Push Button 按钮	1	LCP	Black 黑色
4	Terminal 端子	1	Phosphor bronze 磷青铜	Silver plating 镀银
3	Yellow Membrane 黄膜	1	PI	Yellow 黄色
2	Shrapnel 弹片	1	SUS 不锈钢	Silver plating 镀银
1	Plastic base 塑胶底座	1	LCP	Black 黑色

REV	DATE	REVISION	DESCRIPTION	ISSUE
A4				
A3				
A2				
A1				



COMMON TOLERANCE

X.XX	± 0.10
X.X	± 0.15
X	± 0.25
ANGULAR	—

UNIT	MM	PROJECTED	PRODUCT NAME:
DRAWN BY	FUYUAN	CHECKED BY	COCO
DATE	2019	APPROVAL	B ALEN
<p style="text-align: center;">ROCPCU TECHNOLOGY CO.,LTD</p>		<p style="text-align: center;">MODEL NO: TP10322620</p> <p style="text-align: center;">Https: www.rocpcu.tw</p>	
<p style="font-size: small;">Copies are issued in strict confidence and shall not be reproduced or copied, or used as the basis of manufacture or sale of apparatus without permission</p>			