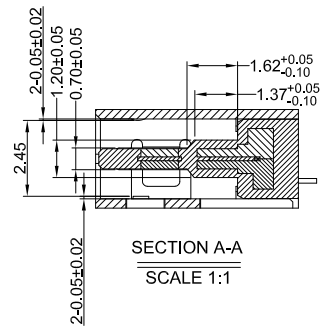
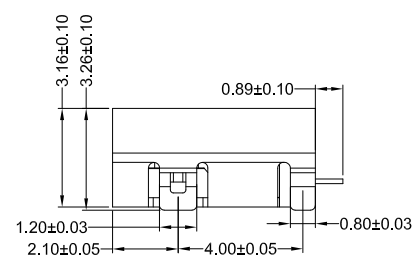
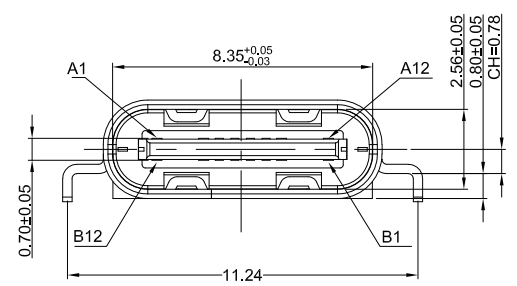


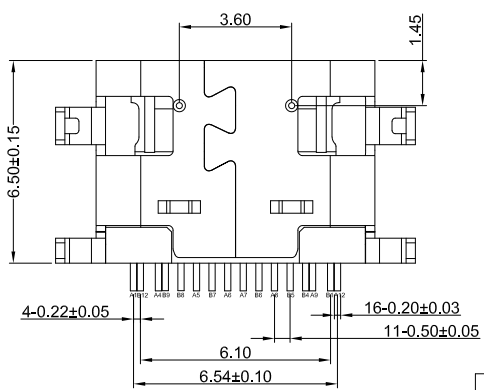
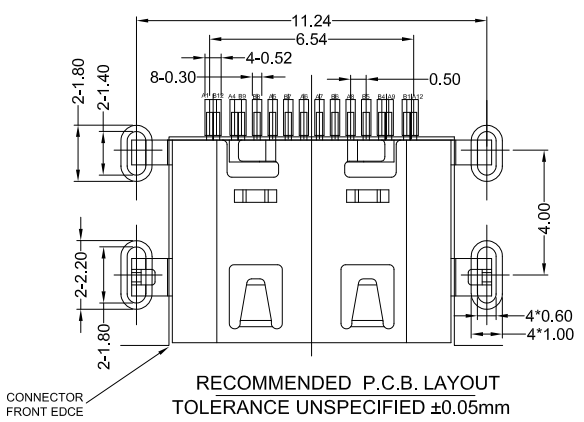
SECTION B-B
SCALE 1:1



SECTION A-A
SCALE 1:1

NOTES:

- MECHANICAL:
MATING:5~20N.
WITHDRAWAL:8~20N
DURABILITY:10000 CYCLES.
- ELECTRICAL:
CURRENT:5A MAX
VOLTAGE:30V MAX
WITHSTANDING VOLTAGE:100V AC
CONTACT RESISTANCE:40mΩ MAX(Initial) ,50mΩ MAX(TEST AFTER)
INSULATION RESISTANCE:100MΩ MIN
- Raw material:
HOUSING:Thermoplastics (LCP E130i) Blue
TERMINAL:Copper alloy(C7025),T0.12mm
MIDDLE SPRING:Stainless steel(SUS304),T0.10mm
SHELL:Stainless steel(SUS304),T0.30mm
- Surface Coating :
TERMINAL:Au 3u" MIN
SHELL:Ni 50u" MIN
FRONT SPRING:Ni 50u" MIN
- ENVIRONMENTAL:
TEMPERATURE RANGE:-55°C ~ +85°C



A1	GND	B12	GND
A4	VBUS	B9	VBUS
A5	CC1	B8	SBU2
A6	DP1	B7	DN2
A7	DN1	B6	DP2
A8	SBU1	B5	CC2
A9	VBUS	B4	VBUS
A12	GND	B1	GND
PIN	SIGNAL NAME	PIN	SIGNAL NAME

此产品符合
USB协会认证
规范TID:7344



品赞科技®
b-Switch

Pinzan Electronics (Dongguan) Co., Ltd.

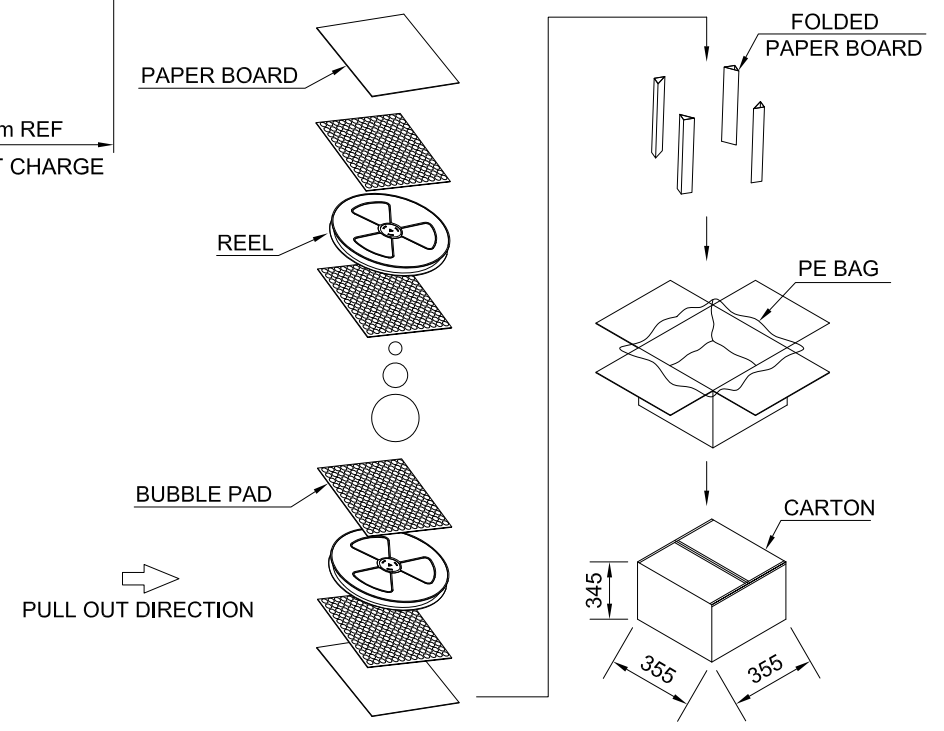
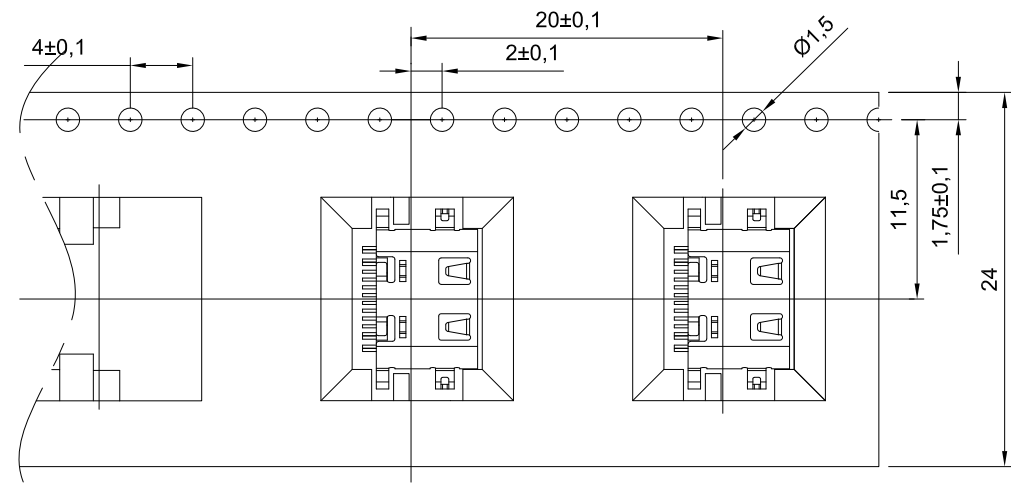
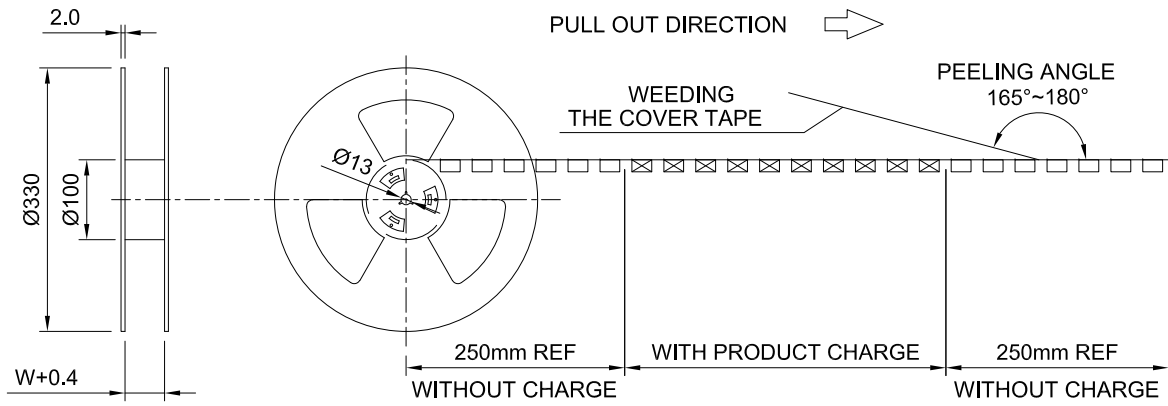
Unless otherwise specified, Tolerance:
X. ±0.30
X.x ±0.20
X.xx ±0.15
X.xxx ±0.10
Angles ±3°

DESIGN Li Qingqi DATE 2021.12.29
Specifications
Type-C Receptacle 16pin sinking plate 0.8 Integrated 6,50

http://www.dg-switch.com
TEL:0769-82388879

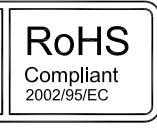
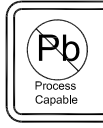
Molde code:
GT-USB-9014A


REV.: X1 SCALE: 4:1 UNIT: mm
SIZE: A4 SHEET: 1/1



NOTE:
1. QUANTITY: 1000 PCS/REEL, 10000PCS/CARTON.

此产品符合
USB协会认证
规范TID:7344



	Pinzan Electronics (Dongguan) Co., Ltd.	
	DESIGN Li Qingqi Specifications Type-C Receptacle 16pin sinking plate 0.8 integrated 6.50	DATE 2021.12.29
Unless otherwise specified, Tolerance: X. ±0.30 X.x ±0.20 X.xx ±0.15 X.xxx ±0.10 Angles ±3°	http://www.dg-switch.com TEL:0769-82388879	REV.: X1 SCALE: 4:1 UNIT: mm SIZE: A4 SHEET: 1/1