

REV.	ECN Number	Description	Drawn
1	CS22020030	RELEASE	2022.02.22

Specifications

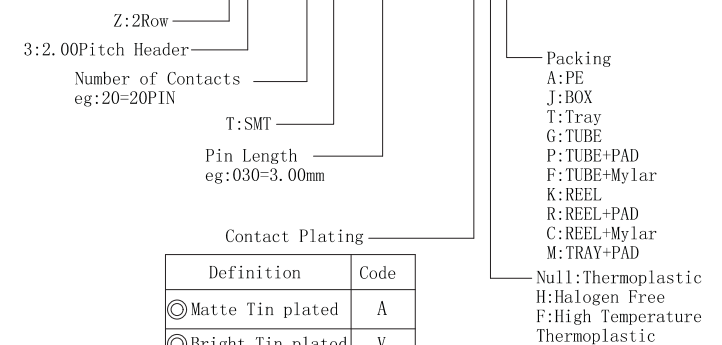
Current Rating: 2Amp
 Insulation Resistance: 1000MΩ Min.
 Dielectric Withstanding: 500V AC/DC
 Contact Resistance: 20mΩ Max.
 Operating Temperature: -40° C to +105° C

Materials

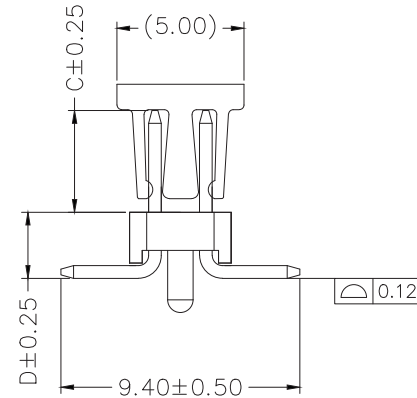
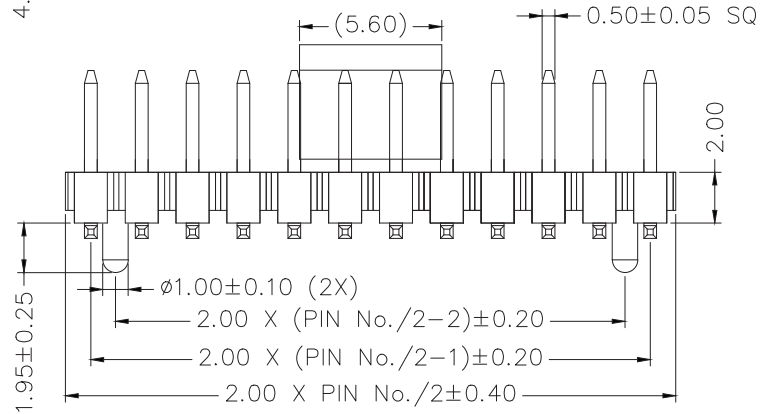
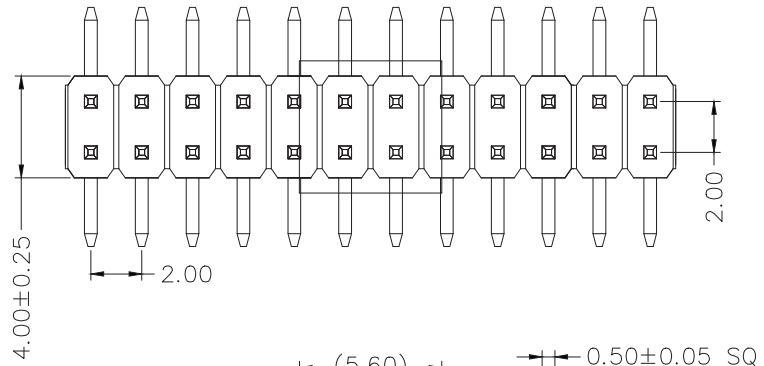
Contact Material: Brass
 Insulation Material: Thermoplastic, UL 94V-0
 All materials should comply with the "RoHS" requirement

Product Number Matrix:

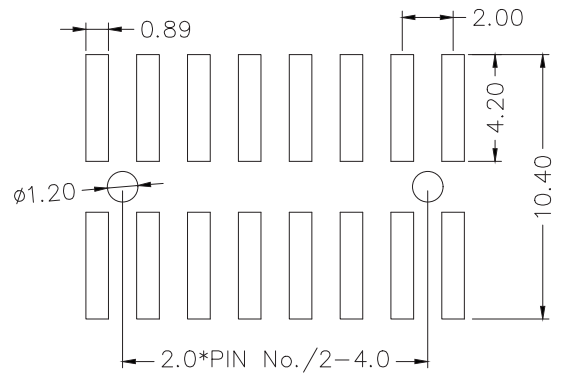
SZ3E-XXT-C/D-2-XXX



Definition	Code
⊙Matte Tin plated	A
⊙Bright Tin plated	V
⊙Gold plated over all	
flash B 1u" R 3u" C	
5u" D 10u" E 15u" F	
20u" G 25u" H 30u" J	
⊙Duplex plated	
flash K 1u" S 3u" L	
5u" M 10u" N 15u" P	
20u" Q 25u" T 30u" U	
⊙ All plated is lead free.	



Recommended P.C.Board Layout
 (Tolerance: ±0.05mm)



TOLERANCE UNLESS OTHERWISE SPECIFIED			
X.X	±0.30	X.°	±3°
X.XX	±0.20	X.X°	±2°
X.XXX		X.XX°	±1°

SCALE	1:1
UNIT	mm
SIZE	A4

ORIGINAL DRAWN: Jesse Lu
 CHECK: Wolfe Liu
 APPROVE: Wolfe Liu

DATE 2022.02.22
 DATE 2022.02.22
 DATE 2022.02.22

DWG. NO. 461-0000-0177
 PARTS NO. (INTENDED USE) SZ3E-XXT-C/D-2-XXX

TITLE CUSTOMER DRAWING
 2.00PH, HEADER, SMT

REV. 1
 SHEET 1/1