
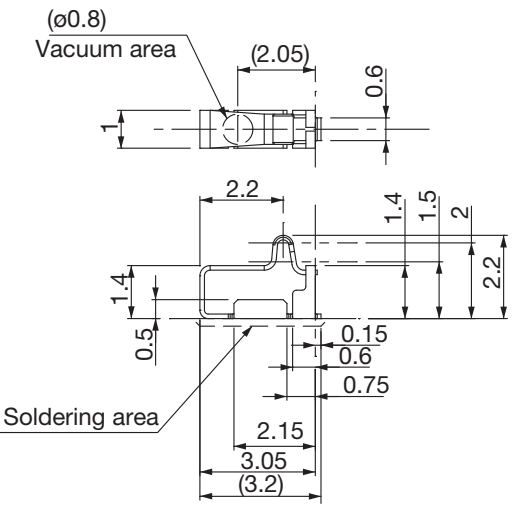


# Earth Terminals

## ■ Features

1. The earth terminals are of a low contact pressure type with electro-conductivity coated shell molds.
2. The embossed taping for the automatic mounter by SMT is available.
3. Compact and light-weight equipment design can be realized with the terminals.

### ET-7 Series / 415CPB-073-56F

	<p>Single Contact Design            Height : 2.2mm            Working Height : 1.5 to 2.0mm            Contact Pressure : 0.2 to 0.8N            Stroke : 0.2 to 0.7mm            Material : Phosphor Bronze            Under Plating : Nickel            Finish : Au Plating            Reel : 6,000pcs</p>	
---	--	---