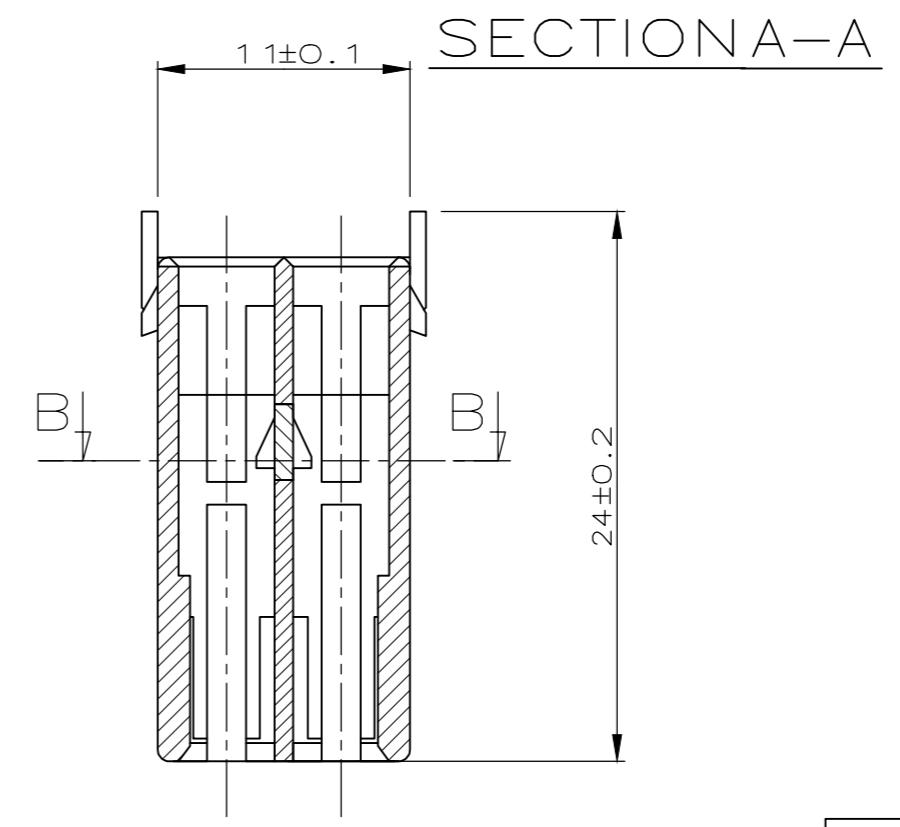
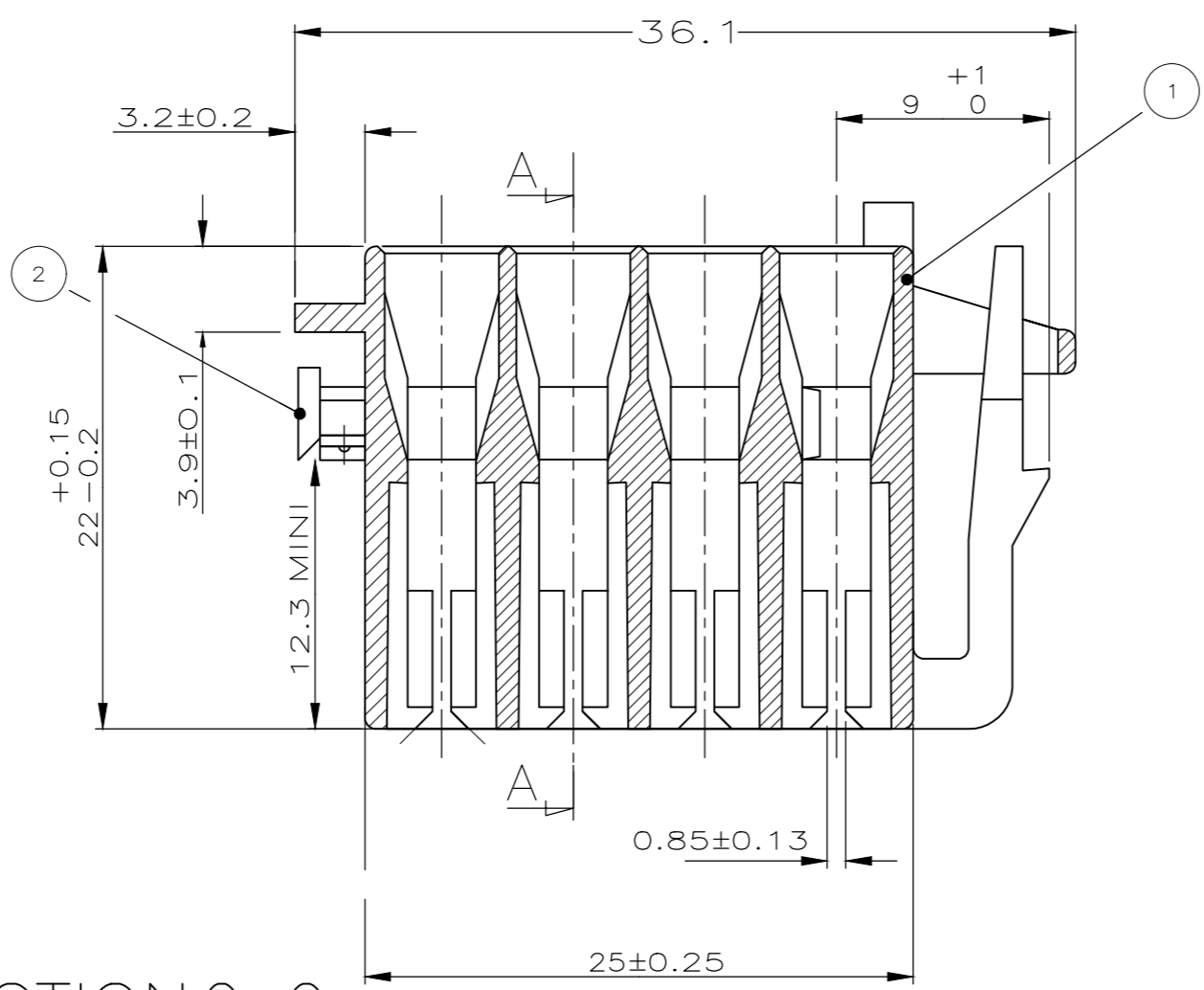
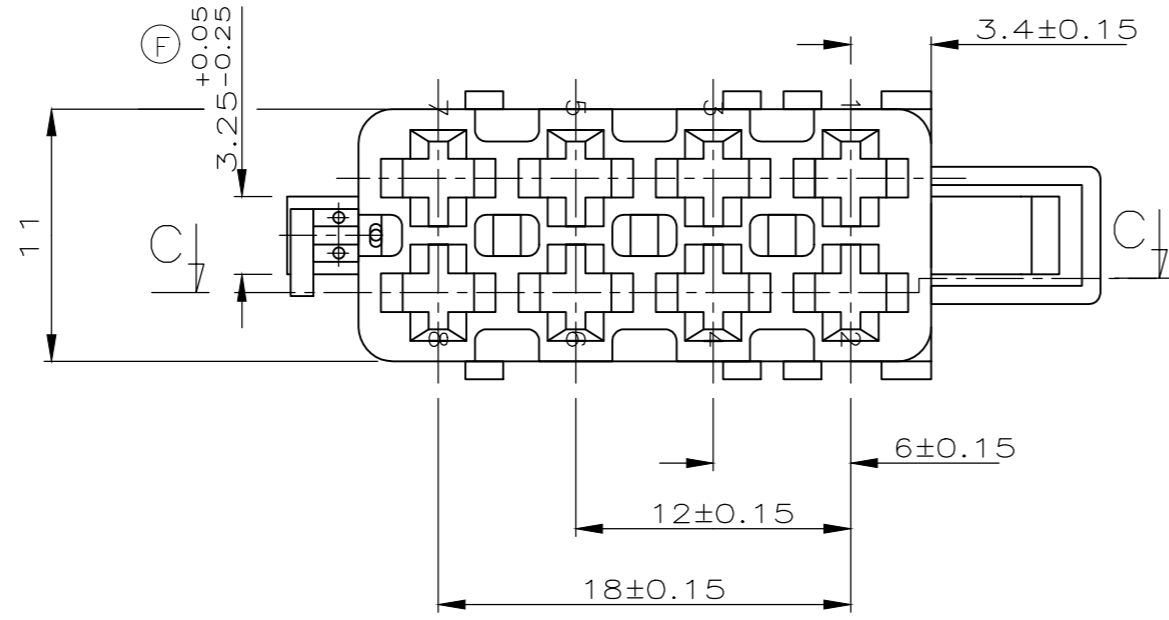


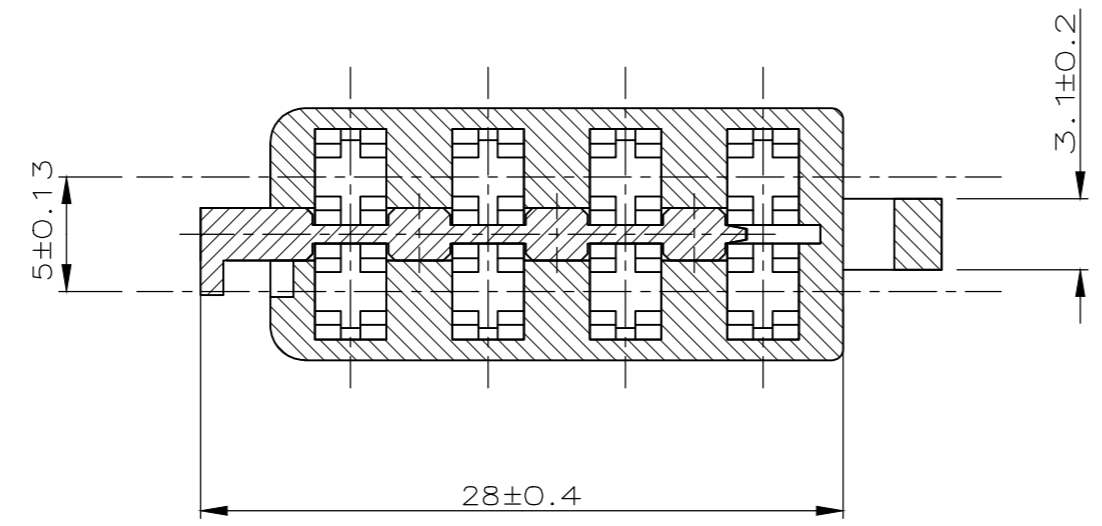
THIS DRAWING IS UNPUBLISHED.
 DIFFUSION RESEINTE AMP
 (C) COPYRIGHT 19 BY AMP INCORPORATED. ALL RIGHTS RESERVED.
 TOUS DROITS RESERVES.

LOC F		DIST 7		REVISIONS			
P	LTR REV	DESCRIPTION MODIFICATIONS	DATE	DWN DESS.	APVD APP.		
	A	AJOUT 1-144172-X	14-OCT-97	RB	-		
	B	TRADUCTION ANGLAISE AJOUTEE	04-FEB-98	RP	-		
	C	VOIR FEUILLE 2	14-MAR-00	RP	JPP		
	E	REVISED PER ECR-05-008448	04-AUG-05	RP	JPP		
	F	COTE 3.4 DEVIENT 3.25	03APR2018	CS	XR		



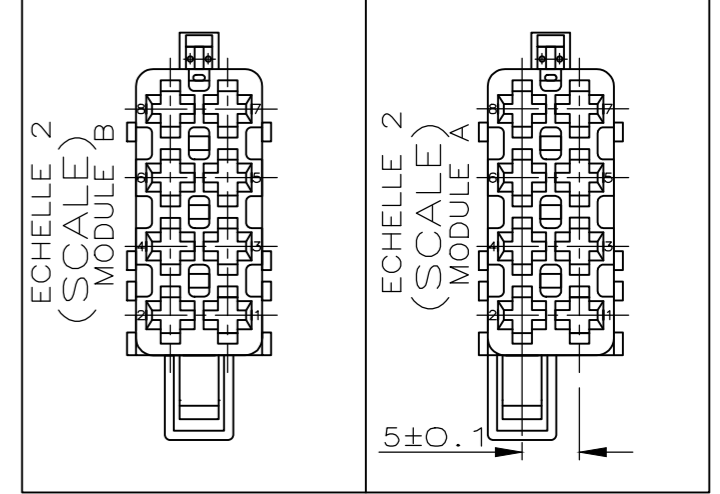
SECTION C-C

SECTION A-A



SECTION B-B

CODE	0-144172-2	0-144172-1
	0-144172-4	0-144172-3
	0-144172-6	0-144172-5
	0-144172-8	0-144172-7



0-144172-X	FEUILLE 1 (SHEET)
1-144172-X	FEUILLE 2 (SHEET)

0-144172-X COMME DESSINE
 (AS DRAWN)

POUR STANDARD ISO
 FOR ISO STANDARD

SPECIFICATION PARTICULIERE AMP 108-15063
 UTILISABLE AVEC COUVERCLE: 144170
 (PARTICULAR AMP SPECIFICATION 108-15063)
 (USABLE WITH COVER: 144170)

THIS DRAWING IS A CONTROLLED DOCUMENT. CE PLAN EST UN DOCUMENT CONTROLE.		DWN/DESSINE 24OCT1996 Olivier PAMART		TE Connectivity	
DIMENSIONS: mm		CHK/VERIFIE 18FEB1998 JP.PICAUD		NAME TITRE	
TOLERANCES UNLESS OTHERWISE SPECIFIED: TOLERANCES NON SPECIFIEES (SUIV NB DE DECIMALES): 0=PLC/DEC± 1=PLC/DEC±0.2 2=PLC/DEC± 3=PLC/DEC± 4=PLC/DEC± ANGLES ±5°		APVD/APPROUVE 18FEB1998 JJ.REV11	PRODUCT SPEC. 108-15063		
MATERIAL MATIERE PA 6-6 / GF		FINISH FINITION -	APPLICATION SPEC. APPLICATION	WEIGHT MASSE APPROX. 0.0036Kg	SIZE FORMAT A2
		CUSTOMER DRAWING/PLAN CLIENT	UNIQUEMENT POUR REFERENCE	SCALE ECHELLE 3:1	SHEET FEUILLE 1 OF DE 2
					REV F

