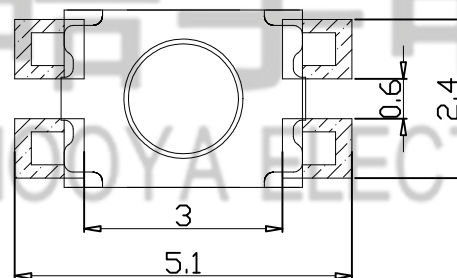
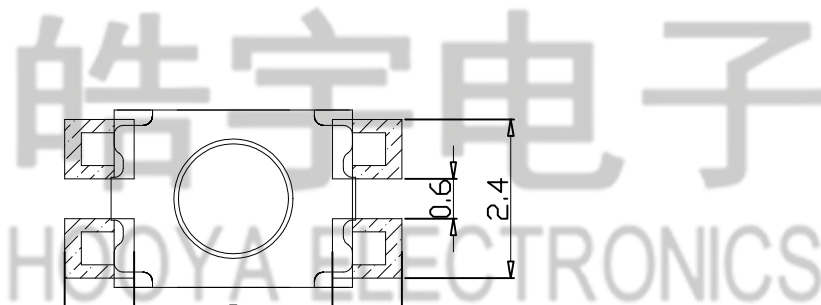
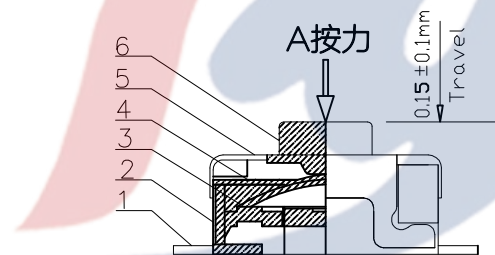


电路图



PCB板焊盘尺寸

H=2.0mm

H=250gf ± 50

				TOLERANCE UNLESS SPECIFIED							
				UP TO 5mm: ±0.1	ANGULAR	1					
				ABOVE 5mm: ±0.2	±1°	NO	DATE	REVISIONS		BY	APPD
6	STEM	LCP	1								
5	COVER	SUS	1								
4	Waterproof membrane	PI	1	YELLOW	TITLE: TACT SWITCH		UNIT : MM	ROHS COMPLIANT	DWN		
3	CONTACT	SUS	1	Ag-Plating	MODEL: TS-1185A-020E		SCALE: 1:1		CHK'D		
2	CASE	LCP	1		HAOYU(HONGKONG)LIMITED 皓宇(香 港)有限公司				APPD		
1	TERMINAL	PHOSPHOR BRONZE	4	Ag-Plating							PRO.AGL:
NO.	PART NAME	MATERIAL	QTY	FINISHING							