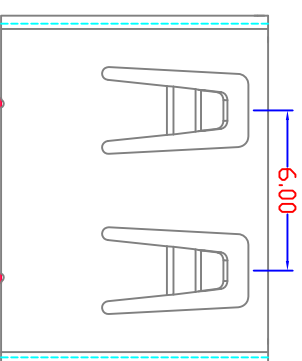
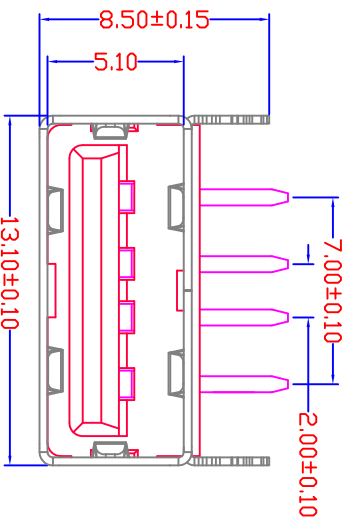
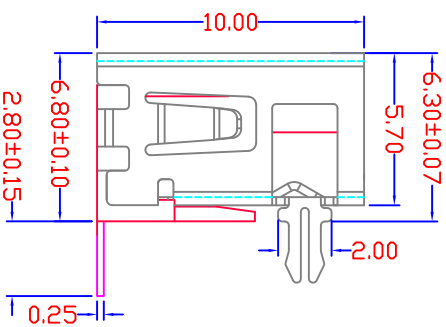
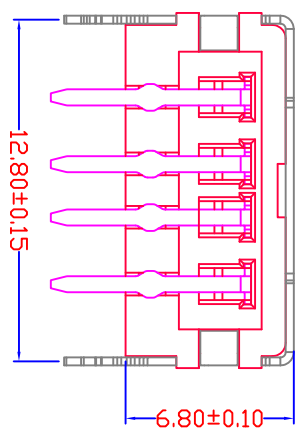


MAPX	MODIFICATION	DATE
------	--------------	------



Specification:

1. Electrical Characteristics:

Dielectric Withstanding Voltage: AC 500V/1MINUTE.
 Insulation Resistance: 1000 MΩ/Min.
 Contact Resistance: 30 mΩ/ Max.

2. Mechanical Characteristics:

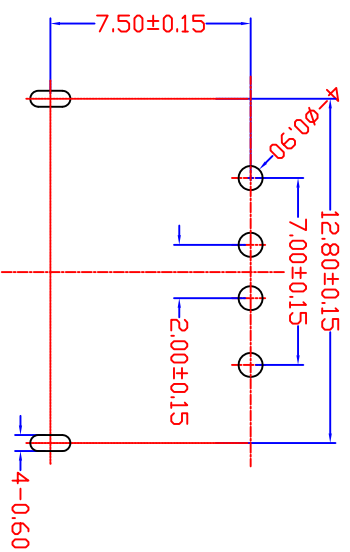
INSERTION FORCE: 30N(3.06kgf) MAX
 EXTRACTION FORCE: 10~30N(1.02~3.06kgf)
 Durability: 1500cycles. EXTRACTION FORCE: 10~30N(1.02~3.06kgf)

3. Material:

Terminal: Phosphor Bronze, C5191/C2680R-EH T=0.25
 Plating: Gold 0.76 um Min plating over 1.27 um Min Nickel underplate, 2.54 um Min Sn selective plating on solder tail;
 Shell: Bronze, C2680R-H =0.30mm
 Plating: Nickel underplate 2.54 um Min;
 Housing: LCP Black

4. Environmental:

Operating Temperature: 0°C to +85°C.



RECOMMENDED P.C.B LAYOUT

产品图
PRODUCT CHART DWG

深圳市精拓金电子有限公司

公差一览表		单位		制图		制图料号	
TOLERANCE UNLESS OTHERWISE	UNITS	MM	DRAWING	Z-Y-B	PRODUCT PART NO	908-161A1011HD10102	
X ±0.25	X	±5°	审核	郭治富	产品名称	耳机	
X ±0.15	X	±2°	核准	黄国荣	产品NO	10.0前脚壳光透壳白胶6.0D无耳朵	
XX ±0.10	XX	±1°	日期	2015.08.1	角法	⊕	版本
XXX ±0.05	.XXX	±0.5°	DATE		VIEW	⊕	AD

G 1 2 3 4 5 6 7 8 9 10
 F
 E
 D
 C
 B
 A