



REALTEK

NOT FOR PUBLIC RELEASE

RTL8153B-VB-CG

**INTEGRATED 10/100/1000M ETHERNET
CONTROLLER FOR USB 3.0 APPLICATIONS**

DATASHEET

(CONFIDENTIAL: Development Partners Only)

Rev. 1.4

16 March 2018

Track ID: JATR-8275-15



Realtek Semiconductor Corp.

No. 2, Innovation Road II, Hsinchu Science Park, Hsinchu 300, Taiwan

Tel.: +886-3-578-0211. Fax: +886-3-577-6047

www.realtek.com

COPYRIGHT

©2018 Realtek Semiconductor Corp. All rights reserved. No part of this document may be reproduced, transmitted, transcribed, stored in a retrieval system, or translated into any language in any form or by any means without the written permission of Realtek Semiconductor Corp.

DISCLAIMER

Realtek provides this document ‘as is’, without warranty of any kind. Realtek may make improvements and/or changes in this document or in the product described in this document at any time. This document could include technical inaccuracies or typographical errors.

TRADEMARKS

Realtek is a trademark of Realtek Semiconductor Corporation. Other names mentioned in this document are trademarks/registered trademarks of their respective owners.

LICENSE

This product is covered by one or more of the following patents: US5,307,459, US5,434,872, US5,732,094, US6,570,884, US6,115,776, and US6,327,625.

USING THIS DOCUMENT

This document is intended for the software engineer’s reference and provides detailed programming information.

Though every effort has been made to ensure that this document is current and accurate, more information may have become available subsequent to the production of this guide.

ELECTROSTATIC DISCHARGE (ESD) WARNING

This product can be damaged by Electrostatic Discharge (ESD). When handling, care must be taken. Damage due to inappropriate handling is not covered by warranty.

Do not open the protective conductive packaging until you have read the following, and are at an approved anti-static workstation.

- Use an approved anti-static mat to cover your work surface.
- Use a conductive wrist strap attached to a good earth ground
- Always discharge yourself by touching a grounded bare metal surface or approved anti-static mat before picking up an ESD-sensitive electronic component
- If working on a prototyping board, use a soldering iron or station that is marked as ESD-safe
- Always disconnect the microcontroller from the prototyping board when it is being worked on

REVISION HISTORY

Revision	Release Date	Summary
1.0	2016/01/27	First release.
1.1	2016/05/09	Revised section 5.11 Shared Pin Configuration, page 8.
1.2	2016/07/29	Added 'if one of the following is enabled, only LED0 and LED1 can be used for LED Mode' to section 5.11 Shared Pin Configuration, page 8. Added section 7.3 Electrostatic Discharge Performance, page 19.
1.3	2018/01/26	Corrected minor typing errors.
1.4	2018/03/16	Revised section 5.6 Regulator and Reference Pins, page 6 (REGOUT and ENSWREG descriptions)

Realtek
CONFIDENTIAL
for Haoliyuan Electronic(shenzhen) Co.,Ltd

Table of Contents

1.	GENERAL DESCRIPTION	1
2.	FEATURES	3
3.	SYSTEM APPLICATIONS	4
4.	PIN ASSIGNMENTS	4
4.1.	PACKAGE IDENTIFICATION.....	4
5.	PIN DESCRIPTIONS	5
5.1.	POWER MANAGEMENT PIN.....	5
5.2.	SPI (SERIAL PERIPHERAL INTERFACE) FLASH PINS.....	5
5.3.	EEPROM PINS.....	5
5.4.	TRANSCEIVER INTERFACE PINS.....	6
5.5.	CLOCK PINS.....	6
5.6.	REGULATOR AND REFERENCE PINS.....	6
5.7.	LED PINS.....	7
5.8.	POWER AND GROUND PINS.....	7
5.9.	GPIO PIN.....	7
5.10.	USB INTERFACE PINS.....	8
5.11.	SHARED PIN CONFIGURATION.....	8
6.	FUNCTIONAL DESCRIPTION	9
6.1.	USB INTERFACE.....	9
6.1.1.	<i>USB Configurations</i>	9
6.1.2.	<i>Endpoint 0</i>	9
6.1.3.	<i>Endpoint 1 Bulk-In</i>	9
6.1.4.	<i>Endpoint 2 Bulk-Out</i>	9
6.1.5.	<i>Endpoint 3 Interrupt-In</i>	9
6.2.	CUSTOMIZABLE LED CONFIGURATION.....	10
6.3.	PHY TRANSCEIVER.....	12
6.3.1.	<i>PHY Transmitter</i>	12
6.3.2.	<i>PHY Receiver</i>	12
6.3.3.	<i>Link-Down Power Saving Mode</i>	13
6.3.4.	<i>Next Page</i>	13
6.4.	EEPROM INTERFACE.....	13
6.5.	SPI (SERIAL PERIPHERAL INTERFACE) FLASH.....	14
6.6.	POWER MANAGEMENT.....	14
6.7.	LINK POWER MANAGEMENT (LPM).....	15
6.8.	PROTOCOL OFFLOAD.....	15
6.9.	WAKE PACKET DETECTION (WPD).....	16
6.10.	'REALWOW!' (WAKE-ON-WAN) TECHNOLOGY.....	16
6.11.	ENERGY EFFICIENT ETHERNET (EEE).....	16
6.12.	LAN DISABLE MODE.....	16
6.13.	ALWAYS ON ALWAYS CONNECTED.....	17
6.14.	SWITCHING REGULATOR.....	17
6.15.	LDO REGULATOR.....	17
6.16.	DRIVER AUTO-INSTALL MODE.....	18
7.	CHARACTERISTICS	19
7.1.	ABSOLUTE MAXIMUM RATINGS.....	19
7.2.	RECOMMENDED OPERATING CONDITIONS.....	19
7.3.	ELECTROSTATIC DISCHARGE PERFORMANCE.....	19



7.4.	CRYSTAL REQUIREMENTS.....	20
7.5.	OSCILLATOR REQUIREMENTS	20
7.6.	ENVIRONMENTAL CHARACTERISTICS	21
7.7.	DC CHARACTERISTICS.....	21
7.8.	REFLOW PROFILE RECOMMENDATIONS	22
7.9.	AC CHARACTERISTICS.....	22
7.9.1.	3-Wire EEPROM Interface Timing	22
7.9.2.	SPI Flash Commands	23
7.9.3.	SPI Flash Interface Timing	25
8.	MECHANICAL DIMENSIONS.....	27
9.	ORDERING INFORMATION.....	28

Realtek
CONFIDENTIAL
for Haoliyuan Electronic(shenzhen) Co.,Ltd

List of Tables

TABLE 1.	POWER MANAGEMENT PIN	5
TABLE 2.	SPI FLASH PINS	5
TABLE 3.	EEPROM PINS	5
TABLE 4.	TRANSCEIVER INTERFACE PINS	6
TABLE 5.	CLOCK PINS	6
TABLE 6.	REGULATOR AND REFERENCE PINS	6
TABLE 7.	LED PINS	7
TABLE 8.	POWER AND GROUND PINS	7
TABLE 9.	GPIO PIN.....	7
TABLE 10.	USB INTERFACE PINS	8
TABLE 11.	SHARED PIN MODES	8
TABLE 12.	LED SELECT (OCP REGISTER OFFSET DD90H~DD91H).....	10
TABLE 13.	CUSTOMIZED LEDES	10
TABLE 14.	FIXED LED MODE	10
TABLE 15.	LED FEATURE CONTROL-1	11
TABLE 16.	LED FEATURE CONTROL-2.....	11
TABLE 17.	LED OPTION 1 & OPTION 2 SETTINGS	11
TABLE 18.	EEPROM INTERFACE.....	13
TABLE 19.	SPI FLASH INTERFACE	14
TABLE 20.	ABSOLUTE MAXIMUM RATINGS	19
TABLE 21.	RECOMMENDED OPERATING CONDITIONS	19
TABLE 22.	ELECTROSTATIC DISCHARGE PERFORMANCE	19
TABLE 23.	CRYSTAL REQUIREMENTS.....	20
TABLE 24.	OSCILLATOR REQUIREMENTS	20
TABLE 25.	ENVIRONMENTAL CHARACTERISTICS	21
TABLE 26.	DC CHARACTERISTICS.....	21
TABLE 27.	REFLOW PROFILE RECOMMENDATIONS	22
TABLE 28.	3-WIRE EEPROM ACCESS TIMING PARAMETERS	23
TABLE 29.	SPI FLASH COMMANDS.....	23
TABLE 30.	SPI FLASH ACCESS TIMING PARAMETERS	26
TABLE 31.	ORDERING INFORMATION	28

List of Figures

FIGURE 1.	PIN ASSIGNMENTS	4
FIGURE 2.	3-WIRE EEPROM INTERFACE TIMING	22
FIGURE 3.	WREN/WRDI COMMAND SEQUENCE.....	23
FIGURE 4.	READ COMMAND SEQUENCE.....	24
FIGURE 5.	PAGE PROGRAM COMMAND SEQUENCE	24
FIGURE 6.	SECTOR/BLOCK ERASE COMMAND SEQUENCE.....	24
FIGURE 7.	CHIP ERASE COMMAND SEQUENCE	25
FIGURE 8.	SPI FLASH INTERFACE TIMING.....	25

1. General Description

The Realtek RTL8153B-VB-CG 10/100/1000M Ethernet controller combines a triple-speed IEEE 802.3 compliant Media Access Controller (MAC) with a triple-speed Ethernet transceiver, USB 3.0 bus controller, and embedded memory. With state-of-the-art DSP technology and mixed-mode signal technology, the RTL8153B-VB offers high-speed transmission over CAT 5 UTP cable or CAT 3 UTP (10Mbps only) cable. Functions such as Crossover Detection and Auto-Correction, polarity correction, adaptive equalization, cross-talk cancellation, echo cancellation, timing recovery, and error correction are implemented to provide robust transmission and reception capabilities. The RTL8153B-VB features embedded One-Time-Programmable (OTP) memory that can replace the external EEPROM (93C46/93C56/93C66).

The RTL8153B-VB features USB 3.0 to provide higher bandwidth and improved protocols for data exchange between the host and the device. USB 3.0 also offers more advanced power management features for energy saving.

Advanced Configuration Power management Interface (ACPI)—power management for modern operating systems that are capable of Operating System-directed Power Management (OSPM)—is supported to achieve the most efficient power management possible. In addition to the ACPI feature, remote wake-up (including AMD Magic Packet and Microsoft Wake-Up Frame) is supported in both ACPI and APM (Advanced Power Management) environments.

The RTL8153B-VB supports Microsoft Wake Packet Detection (WPD) to provide Wake-Up Frame information to the OS, e.g., PatternID, OriginalPacketSize, SavedPacketSize, SavedPacketOffset, etc. WPD helps prevent unwanted/unauthorized wake-up of a sleeping computer.

The RTL8153B-VB supports ‘RealWoW!’ technology to enable remote wake-up of a sleeping PC through the Internet. This feature allows PCs to reduce power consumption by remaining in low power sleeping state until needed.

Note: The ‘RealWoW!’ service requires registration on first time use.

The RTL8153B-VB supports Protocol offload. It offloads some of the most common protocols to NIC hardware in order to prevent spurious wake-up and further reduce power consumption. The RTL8153B-VB can offload ARP (IPv4) and NS (IPv6) protocols while in the D3 power saving state.

The RTL8153B-VB supports the ECMA (European Computer Manufacturers Association) proxy for sleeping hosts standard. The standard specifies maintenance of network connectivity and presence via proxies in order to extend the sleep duration of higher-powered hosts. It handles some network tasks on behalf of the host, allowing the host to remain in sleep mode for longer periods. Required and optional behavior of an operating proxy includes generating reply packets, ignoring packets, and waking the host.

The RTL8153B-VB supports IEEE 802.3az-2010, also known as Energy Efficient Ethernet (EEE). IEEE 802.3az-2010 operates with the IEEE 802.3 Media Access Control (MAC) Sublayer to support operation in Low Power Idle mode. When the Ethernet network is in low link utilization, EEE allows systems on both sides of the link to save power.

The RTL8153B-VB is fully compliant with Microsoft NDIS5, NDIS6 (IPv4, IPv6, TCP, UDP) Checksum features, and supports IEEE 802 IP Layer 2 priority encoding and IEEE 802.1Q Virtual bridged Local Area Network (VLAN). The above features contribute to lowering CPU utilization, especially benefiting performance when in operation on a network server.

The RTL8153B-VB is suitable for multiple market segments and emerging applications, such as desktop, mobile, workstation, server, communications platforms, docking station, and embedded applications.

Realtek
CONFIDENTIAL
for Haoliyuan Electronic(shenzhen) Co.,Ltd

2. Features

Hardware

- Integrated 10/100/1000M transceiver
- Auto-Negotiation with Next Page capability
- Supports USB 3.0, 2.0, and 1.1
- Supports CDC-ECM
- Supports LPM (Link Power Management), U1/U2/U3 at SuperSpeed, and L1/L2 at HighSpeed
- Supports pair swap/polarity/skew correction
- Crossover Detection & Auto-Correction
- Supports Wake-On-LAN and 'RealWoW!' (Wake-On-WAN) Technology (see note 1)
- Supports ECMA-393 ProxZzzy Standard for sleeping hosts (see note 1)

Note 1. Select between RealWoW! or ECMA; only one feature can be active at a time.

- Supports power down/link down power saving
- Transmit/Receive on-chip buffer support
- EEPROM Interface
- Embedded OTP memory can replace external EEPROM
- Built-in switching regulator and LDO regulator
- Supports Customizable LEDs
- Supports hardware CRC (Cyclic Redundancy Check) function
- LAN disable with GPIO pin
- Supports 25MHz Crystal
- Supports 25MHz/48MHz Oscillator
- SPI Flash Interface
- Supports Legacy PXE (eHCI and xHCI) & UEFI PXE
- 40-pin QFN 'Green' package

Software Offload

- Microsoft NDIS5, NDIS6 Checksum Offload (IPv4, IPv6, TCP, UDP) and Segmentation Task-offload (Large send v1 and Large send v2) support
- Supports jumbo frame to 9K bytes

IEEE

- Supports Full Duplex flow control (IEEE 802.3x)
- Fully compliant with IEEE 802.3, IEEE 802.3u, and IEEE 802.3ab
- Supports IEEE 802.1P Layer 2 Priority Encoding
- Supports IEEE 802.1Q VLAN tagging
- Supports IEEE 802.3az-2010 (EEE)

Microsoft AOAC (Always On Always Connected)

- Supports 32-set 128-byte Wake-Up Frame pattern exact matching
- Supports link change wake up
- Supports Microsoft WPD (Wake Packet Detection)
- Supports Protocol Offload (ARP & NS) at all speeds

Intel CPPM (Converged Platform Power Management)

- Supports L1 with 3ms BESL (USB 2.0)
- Dynamic LTM messaging (USB 3.0)
- Supports U1/U2/U3 (USB 3.0)
- Supports selective suspend

3. System Applications

- USB 10/100/1000M Ethernet on Motherboard, Dongle, Notebook, Docking station, or Embedded system

4. Pin Assignments

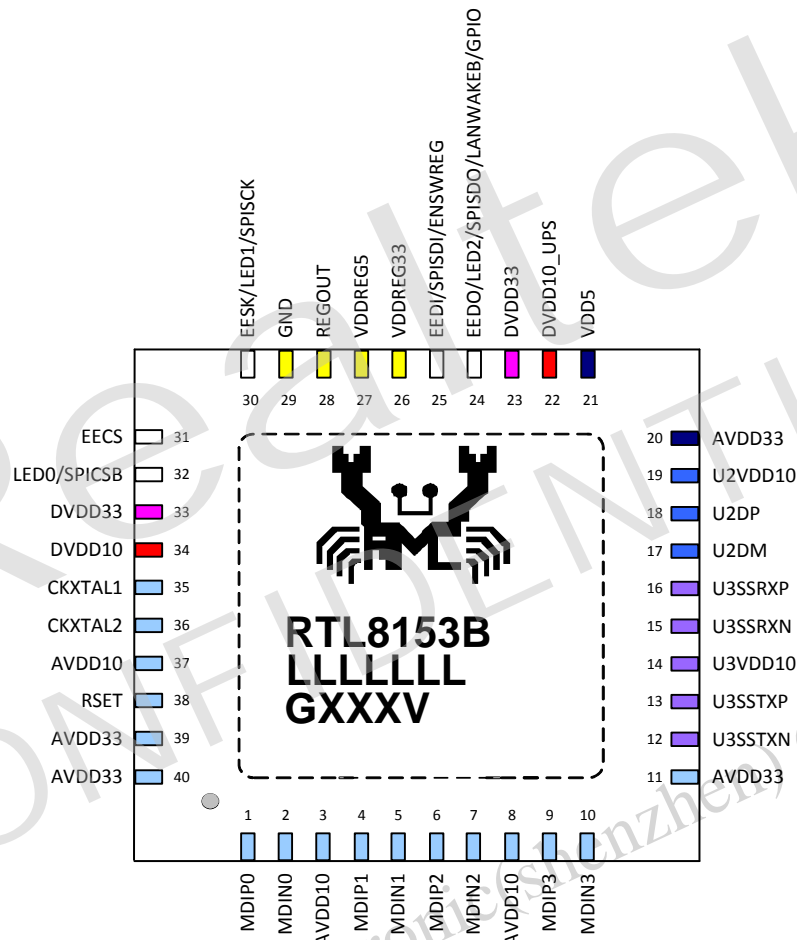


Figure 1. Pin Assignments

4.1. Package Identification

Green package is indicated by the ‘G’ in GXXXV (Figure 1). The version number is shown in the location marked ‘V’.

5. Pin Descriptions

The signal type codes below are used in the following tables:

I: Input

O: Output

P: Power

D: Open drain

5.1. Power Management Pin

Table 1. Power Management Pin

Symbol	Type	Pin No	Description
LANWAKEB	D	24	Power Management Event Output Pin (Open drain, active low).

Note. Pin 24 is a shared pin; the function is configured by autoloading. Only one mode can be active at a time.

5.2. SPI (Serial Peripheral Interface) Flash Pins

Table 2. SPI Flash Pins

Symbol	Type	Pin No	Description
SPICSB	O	32	SPI Flash Chip Select.
SPISDO	I	24	Input from SPI Flash Serial Data Output Pin.
SPISDI	O	25	Output to SPI Flash Serial Data Input Pin.
SPISCK	O	30	SPI Flash Serial Data Clock.

Note. Pin 24 is a shared pin; the function is configured by autoloading. Only one mode can be active at a time.

5.3. EEPROM Pins

Table 3. EEPROM Pins

Symbol	Type	Pin No	Description
EESK	O	30	Serial Data Clock for 93C46/93C56/93C66.
EEDI	IO	25	Output to serial data input pin of EEPROM (93C46/93C56/93C66)
EEDO	I	24	Input from Serial Data Output Pin of EEPROM (93C46/93C56/93C66).
EECS	O	31	EEPROM (93C46/93C56/93C66) Chip Select

Note 1: The RTL8153B-VB will complete eFUSE auto-load before EEPROM auto-load, and determine the type of EEPROM (93C46/93C56) by the 'select 93C46/56/66' eFUSE auto-load value. 1 indicates 93C46; 0 indicates 93C56/93C66.

Note 2. Pin 25 is power-on latch pin for ENSWREG.

Note 3. Pin 24 is a shared pin; the function is configured by autoloading. Only one mode can be active at a time.

5.4. Transceiver Interface Pins

Table 4. Transceiver Interface Pins

Symbol	Type	Pin No	Description
MDIP0	IO	1	In MDI mode, this is the first pair in 1000Base-T, i.e., the BI_DA+/- pair, and is the transmit pair in 10Base-T and 100Base-TX.
MDIN0	IO	2	In MDI crossover mode, this pair acts as the BI_DB+/- pair, and is the receive pair in 10Base-T and 100Base-TX.
MDIP1	IO	4	In MDI mode, this is the second pair in 1000Base-T, i.e., the BI_DB+/- pair, and is the receive pair in 10Base-T and 100Base-TX.
MDIN1	IO	5	In MDI crossover mode, this pair acts as the BI_DA+/- pair, and is the transmit pair in 10Base-T and 100Base-TX.
MDIP2	IO	6	In MDI mode, this is the third pair in 1000Base-T, i.e., the BI_DC+/- pair.
MDIN2	IO	7	In MDI crossover mode, this pair acts as the BI_DD+/- pair.
MDIP3	IO	9	In MDI mode, this is the fourth pair in 1000Base-T, i.e., the BI_DD+/- pair.
MDIN3	IO	10	In MDI crossover mode, this pair acts as the BI_DC+/- pair.

5.5. Clock Pins

Table 5. Clock Pins

Symbol	Type	Pin No	Description
CKXTAL1	I	35	Input of Clock Reference. Connect to GND if an external clock source drives CKXTAL2.
CKXTAL2	IO	36	Output of Clock Reference. Input of External Clock Source.

5.6. Regulator and Reference Pins

Table 6. Regulator and Reference Pins

Symbol	Type	Pin No	Description
REGOUT	O	28	Switching/LDO Regulator 1.0V Output. <i>Note: The embedded regulator is designed for RTL8153B-VB internal use only. Do not provide this power source to other devices</i>
ENSWREG	I	25	Power-On Latch Pin: 3.3V: Enable switching regulator 0V: Disable switching regulator, and enable LDO mode or use external 1.0V Supply.
VDDREG5	P	27	Digital 5V Power Supply for Switching/LDO Regulator.
VDDREG33	P	26	Digital 3.3V Power Supply for Switching/LDO Regulator.
AVDD33	P	20	Linear Regulator (LDO) 3.3V Output. <i>Note: The embedded LDO is designed for RTL8153B-VB internal use only. Do not provide this power source to other devices.</i>
DVDD10_UPS	P	22	Linear Regulator (LDO) 1.0V Output. <i>Note: The embedded LDO is designed for RTL8153B-VB internal use only. Do not provide this power source to other devices.</i>
RSET	I	38	Reference (External Resistor Reference).
GND	P	29	Switching/LDO Regulator GND.

5.7. LED Pins

Table 7. LED Pins

Symbol	Type	Pin No	Description
LED0	O	32	See Section 6.2 Customizable LED Configuration, Page 10 for Details.
LED1	O	30	
LED2	O	24	

Note 1: In prelink suspend state (power-on and USB disconnected), LED pin output voltage depends on both Ethernet connection (link up/link down) and LED setting (high active/low active).

In LAN disabled state, LED pin output voltage is 0v.

Note 2. Pin 24 is a shared pin; the function is configured by autoloading. Only one mode can be active at a time.

5.8. Power and Ground Pins

Table 8. Power and Ground Pins

Symbol	Type	Pin No	Description
VDD5	P	21	Analog 5.0V Power Supply.
AVDD33	P	11, 20, 39, 40	Analog 3.3V Power Supply.
DVDD33	P	23, 33	Digital 3.3V Power Supply.
AVDD10	P	3, 8, 37	Analog 1.0V Power Supply.
DVDD10	P	34	Digital 1.0V Power Supply.
DVDD10_UPS	P	22	Digital 1.0V Uninterruptible Power Supply.
U3VDD10	P	14	USB 3.0 1.0V Power Supply.
U2VDD10	P	19	USB 2.0/USB 1.1 1.0V Power Supply.
GND	P	29	Ground.
GND	P	41	Ground (Exposed Pad).

Note: Refer to the most updated schematic circuit for correct configuration.

5.9. GPIO Pin

Table 9. GPIO Pin

Symbol	Type	Pin No	Description
GPIO	IO	24	General Purpose Input/Output Pin. Link OK feature: Output Pin (Active High) Power Saving Feature: Output Pin (Active Low) LAN Disable Mode: Input pin (Active Low)

Note 1. Pin 24 is a shared pin; the function is configured by autoloading. Only one mode can be active at a time.

Note 2. When configured as GPIO pin, only 1 of the 4 modes can be active at a time

5.10. USB Interface Pins

Table 10. USB Interface Pins

Symbol	Type	Pin No	Description
U3SSRXP	I	16	USB 3.0 Super-Speed Receive Differential Pair.
U3SSRXN	I	15	USB 3.0 Super-Speed Receive Differential Pair.
U3SSTXP	O	13	USB 3.0 Super-Speed Transmit Differential Pair.
U3SSTXN	O	12	USB 3.0 Super-Speed Transmit Differential Pair.
U2DP	IO	18	USB 2.0/USB 1.1 Differential Signal Pair.
U2DM	IO	17	USB 2.0/USB 1.1 Differential Signal Pair.

5.11. Shared Pin Configuration

Pin 24 is a shared multi-function pin. Only one mode can be active at a time. The configuration must be done via autoloading only. After configuring the pin, the other functions will be disabled. The shared pin autoloading configuration should be programmed in eFUSE only.

The following three groups are mutually exclusive functions due to shared pin limitations (if one of the following is enabled, only LED0 and LED1 can be used for LED Mode):

1. GPIO mode (disabled LAN function or link OK function)
2. LANWAKEB mode
3. EEPROM and SPI mode

The application of EEPROM and SPI are different, and they have a non-shared pin as a safety measure to prevent over-writing each other.

The LED may blink during power-on and accessing EEPROM/SPI. This is a known behavior due to EEPROM/SPI pins being shared with the LED pins.

Table 11. Shared Pin Modes

Pin Name	Pin No.	LED Mode (default)	SPI Mode	EEPROM Mode	LANWAKEB Mode	GPIO Mode
EEDO/LED2/SPISDO/ LANWAKEB/GPIO	24	LED2	SPISDO	EEDO	LANWAKEB	GPIO
EEDI/SPIDI	25	-	SPIDI	EEDI	-	-
EESK/LED1/SPISCK	30	LED1	SPISCK	EESK	LED1	LED1
EECS	31	-	-	EECS	-	-
LED0/SPICSB	32	LED0	SPICSB	-	LED0	LED0

6. Functional Description

6.1. USB Interface

The SIE (Serial Interface Engine) employs a robust hardwired USB protocol implementation so that the entire USB interface operation can be done without firmware intervention. For all three types of End Points (Bulk-In, Bulk-Out, and Interrupt-In), appropriate responses and handshake signals are generated by the SIE. The SIE analog transceiver complies fully with driver and receiver characteristics defined in USB Specification Rev. 3.0.

6.1.1. USB Configurations

The RTL8153B-VB supports two networking configurations; ECM (Ethernet Control Model) configuration and in-house configuration. The ECM configuration complies with CDC-ECM, and is a general Ethernet networking model that enables network communication without installing additional vendor specific drivers. The in-house configuration requires a vendor specific driver to support enhanced features and optimized performance.

6.1.2. Endpoint 0

All USB devices support a common access mechanism for accessing information through this control pipe. Associated with the control pipe at endpoint 0 is the information required to completely describe the USB device. This pipe also provides the register read and write to the RTL8153B-VB.

6.1.3. Endpoint 1 Bulk-In

The RTL8153B-VB transfers Ethernet Rx packets to the host via this endpoint. The maximum Bulk-In packet size is 1024 bytes. If the Ethernet packet is larger than 1024 bytes, the RTL8153B-VB splits the Ethernet packet into multiple USB packets.

6.1.4. Endpoint 2 Bulk-Out

The host sends Ethernet Tx packets to the RTL8153B-VB via this endpoint. The maximum Bulk-Out packet size is 1024 bytes. If the Ethernet packet is larger than 1024 bytes, the host will send the Ethernet packet in multiple USB packets.

6.1.5. Endpoint 3 Interrupt-In

The Interrupt Endpoint (EP3) can be used to poll the current ALDPS state, EEE capability, TX/RX flow control enable, Connection Speed, Duplex mode, and link status of the RTL8153B-VB.

6.2. Customizable LED Configuration

The RTL8153B-VB supports customizable LED operation modes via OCP address DD90h~DD91h. Table 12 describes the different LED actions.

Table 12. LED Select (OCP Register Offset DD90h~DD91h)

Bit	Symbol	RW	Description
15:12	LEDCntl	RW	LED Feature Control.
11:8	LEDSEL2	RW	LED Select for PINLED2.
7:4	LEDSEL1	RW	LED Select for PINLED1.
3:0	LEDSEL0	RW	LED Select for PINLED0.

When implementing customized LEDs:

Configure OCP address DD90h to support your own LED signals. For example, if the value in the OCP address DD90h is 0CA9h (0000110010101001b), the LED actions are:

- LED 0: On only in 10M mode, with blinking during TX/RX
- LED 1: On only in 100M mode, with blinking during TX/RX
- LED 2: On only in 1000M mode, with blinking during TX/RX

Table 13. Customized LEDs

Speed	LINK			ACT/Full
	Link 10M	Link 100M	Link 1000M	
LED 0	Bit 0	Bit 1	Bit 2	Bit 3
LED 1	Bit 4	Bit 5	Bit 6	Bit 7
LED 2	Bit 8	Bit 9	Bit 10	Bit 11
Feature Control	Bit 12	Bit 13	Bit 14	Bit 15

Note: There are two special modes:

LED OFF Mode: Set all bits to 0. All LED pin output become floating (power saving).

Fixed LED Mode: Set Option 1 LED table Mode: LED0=LED1=LED2=1 or 2 (see Table 14).

Table 14. Fixed LED Mode

Bit31~Bit0 Value	LED0	LED1	LED2
1XXX 0001 0001 0001	ACT	LINK	Full Duplex + Collision
1XXX 0010 0010 0010	Transmit	LINK	Receive

Note: 'X' indicates 'irrelevant'.

Table 15. LED Feature Control-1

Feature Control	Bit12	Bit13	Bit14	Bit15
0	LED0 Low Active	LED1 Low Active	LED2 Low Active	Indicates Option 1 of Table 17 is Selected
1	LED0 High Active	LED1 High Active	LED2 High Active	Indicates Option 2 of Table 17 is Selected

Table 16. LED Feature Control-2

LED Pin	ACT=0	ACT=1
LINK=0	Floating	All Speed ACT
LINK>0	Selected Speed LINK	Option 1 (see Table 17): Selected Speed LINK+ Selected Speed ACT Option 2 (see Table 17): Selected Speed LINK+ All Speed ACT

Table 17. LED Option 1 & Option 2 Settings

Link Bit			Active Bit	Description		
10	100	1000		Link	Option 1 LED Activity	Option 2 LED Activity
0	0	0	0	LED Off		
0	0	0	1	-	Act ₁₀ +Act ₁₀₀ +Act ₁₀₀₀	Act ₁₀ +Act ₁₀₀ +Act ₁₀₀₀
0	0	1	0	Link ₁₀₀₀	-	-
0	0	1	1	Link ₁₀₀₀	Act ₁₀₀₀	Act ₁₀ +Act ₁₀₀ +Act ₁₀₀₀
0	1	0	0	Link ₁₀₀	-	-
0	1	0	1	Link ₁₀₀	Act ₁₀₀	Act ₁₀ +Act ₁₀₀ +Act ₁₀₀₀
0	1	1	0	Link ₁₀₀ +Link ₁₀₀₀	-	-
0	1	1	1	Link ₁₀₀ +Link ₁₀₀₀	Act ₁₀₀ +Act ₁₀₀₀	Act ₁₀ +Act ₁₀₀ +Act ₁₀₀₀
1	0	0	0	Link ₁₀	-	-
1	0	0	1	Link ₁₀	Act ₁₀	Act ₁₀ +Act ₁₀₀ +Act ₁₀₀₀
1	0	1	0	Link ₁₀ +Link ₁₀₀₀	-	-
1	0	1	1	Link ₁₀ +Link ₁₀₀₀	Act ₁₀ +Act ₁₀₀₀	Act ₁₀ +Act ₁₀₀ +Act ₁₀₀₀
1	1	0	0	Link ₁₀ +Link ₁₀₀	-	-
1	1	0	1	Link ₁₀ +Link ₁₀₀	Act ₁₀ +Act ₁₀₀	Act ₁₀ +Act ₁₀₀ +Act ₁₀₀₀
1	1	1	0	Link ₁₀ +Link ₁₀₀ +Link ₁₀₀₀	-	-
1	1	1	1	Link ₁₀ +Link ₁₀₀ +Link ₁₀₀₀	Act ₁₀ +Act ₁₀₀ +Act ₁₀₀₀	Act ₁₀ +Act ₁₀₀ +Act ₁₀₀₀

Note:

Act₁₀ = LED blinking when Ethernet packets transmitted/received at 10Mbps.

Act₁₀₀ = LED blinking when Ethernet packets transmitted/received at 100Mbps.

Act₁₀₀₀ = LED blinking when Ethernet packets transmitted/received at 1000Mbps.

Link₁₀ = LED lit when Ethernet connection established at 10Mbps.

Link₁₀₀ = LED lit when Ethernet connection established at 100Mbps.

Link₁₀₀₀ = LED lit when Ethernet connection established at 1000Mbps.

6.3. PHY Transceiver

6.3.1. PHY Transmitter

Based on state-of-the-art DSP technology and mixed-mode signal processing technology, the RTL8153B-VB operates at 10/100/1000Mbps over standard CAT.5 UTP cable (100/1000Mbps), or CAT.3 UTP cable (10Mbps).

GMII (1000Mbps) Mode

The RTL8153B-VB's PCS layer receives data bytes from the MAC through the GMII interface and performs the generation of continuous code-groups through 4D-PAM5 coding technology. These code groups are passed through a waveform-shaping filter to minimize EMI effects, and are transmitted onto the 4-pair CAT5 cable at 125MBAud/s through a D/A converter.

MII (100Mbps) Mode

The transmitted 4-bit nibbles (TXD[3:0]) from the MAC, clocked at 25MHz (TXC), are converted into 5B symbol code through 4B/5B coding technology, then through scrambling and serializing, are converted to 125MHz NRZ and NRZI signals. The NRZI signals are passed to the MLT3 encoder, then to the D/A converter and transmitted onto the media.

MII (10Mbps) Mode

The transmitted 4-bit nibbles (TXD[3:0]) from the MAC, clocked at 2.5MHz (TXC), are serialized into 10Mbps serial data. The 10Mbps serial data is converted into a Manchester-encoded data stream and is transmitted onto the media by the D/A converter.

6.3.2. PHY Receiver

GMII (1000Mbps) Mode

Input signals from the media pass through the sophisticated on-chip hybrid circuit to separate the transmitted signal from the input signal for effective reduction of near-end echo. The received signal is processed with state-of-the-art technology, e.g., adaptive equalization, BLW (Baseline Wander) correction, cross-talk cancellation, echo cancellation, timing recovery, error correction, and 4D-PAM5 decoding. The 8-bit-wide data is recovered and is sent to the GMII interface at a clock speed of 125MHz. The RX MAC retrieves the packet data from the receive MII/GMII interface and sends it to the RX Buffer Manager.

MII (100Mbps) Mode

The MLT3 signal is processed with an ADC, equalizer, BLW (Baseline Wander) correction, timing recovery, MLT3 and NRZI decoder, descrambler, 4B/5B decoder, and is then presented to the MII interface in 4-bit-wide nibbles at a clock speed of 25MHz.

MII (10Mbps) Mode

The received differential signal is converted into a Manchester-encoded stream first. Next, the stream is processed with a Manchester decoder and is de-serialized into 4-bit-wide nibbles. The 4-bit nibbles are presented to the MII interface at a clock speed of 2.5MHz.

6.3.3. Link-Down Power Saving Mode

The RTL8153B-VB implements link-down power saving; greatly cutting power consumption when the network cable is disconnected. The RTL8153B-VB automatically enters link down power saving mode ten seconds after the cable is disconnected from it. Once it enters link down power saving mode, it transmits normal link pulses on its TX pins and continues to monitor the RX pins to detect incoming signals. After it detects an incoming signal, it wakes up from link down power saving mode and operates in normal mode according to the result of the connection.

6.3.4. Next Page

If 1000Base-T mode is advertised, three additional Next Pages are automatically exchanged between the two link partners. Users can set PHY Reg4.15 to 1 to manually exchange extra Next Pages via Reg7 and Reg8 as defined in IEEE 802.3ab.

6.4. EEPROM Interface

3-Wire EEPROM interfaces are supported. The SPI interface utilizes a 93C46/93C56/93C66 EEPROM, which is 1K-bit/2K-bit/4K-bit, respectively. The EEPROM interface permits the RTL8153B-VB to read from, and write data to an external serial EEPROM.

Values in the internal eFUSE memory or external EEPROM allow default register values to be overridden following a power-on or software EEPROM auto-load command. The RTL8153B-VB will auto-load values from the eFUSE or EEPROM. If the EEPROM is not present and eFUSE auto-load is bypassed, the RTL8153B-VB initialization uses default values for the appropriate Configuration and Operational Registers. Software can read and write to the EEPROM using bit-bang accesses via the 9346CR Register. The 3-Wire EEPROM interface consists of EESK, EECS, EEDO, and EEDI.

The correct EEPROM (i.e., 93C46/93C56/93C66) must be used in order to ensure proper LAN function.

Table 18. EEPROM Interface

EEPROM	Description
EECS	EEPROM (93C46/93C56/93C66) chip select
EESK	Serial Data Clock for EEPROM (93C46/93C56/93C66).
EEDI	Output to serial data input pin of EEPROM (93C46/93C56/93C66)
EEDO	Input from Serial Data Output Pin of EEPROM (93C46/93C56/93C66).

6.5. SPI (Serial Peripheral Interface) Flash

SPI Flash is enabled by the RTL8153B-VB through the Chip Select pin, and accessed via a 3-wire interface consisting of Serial Data Input (SI), Serial Data Output (SO), and Serial Clock (SCK). The SPI flash utilizes an 8-bit instruction register. All instructions, addresses, and data are transferred with the MSB first and start with a high-to-low transition.

Compared to a parallel bus interface, the Serial Peripheral Interface provides simpler wiring and much less interaction (crosstalk) among the conductors in the cable. This minimizes the number of conductors, pins, and the IC package size, reducing the cost of making, assembling, and testing the electronics.

Table 19. SPI Flash Interface

SPI Flash	Description
SO	Input Data Bus.
SI	Output Data Bus.
SCK	SPI Flash Serial Data Clock.
CSB	SPI Flash Chip Select.

Note: For more technical information, refer to the SPI Flash application note.

6.6. Power Management

The RTL8153B-VB complies with ACPI (Rev 1.0, 1.0b, 2.0), Network Device Class Power Management Reference Specification (V1.0a), such as to support an Operating System-directed Power Management (OSPM) environment.

The RTL8153B-VB can monitor the network for a Wake-Up Frame or a Magic Packet, and notify the system via the USB interface when such a packet or event occurs. The system is then restored to a normal state to process incoming jobs.

When the RTL8153B-VB is in power saving mode:

- The RTL8153B-VB monitors the network for wake-up events such as a Magic Packet and Wake-Up Frame in order to wake-up the system
- The RTL8153B-VB will not receive any packets into the RX on-chip buffer
- USB transactions are stopped

Magic Packet Wake-Up occurs only when the following conditions are met:

- The destination address of the received Magic Packet is acceptable to the RTL8153B-VB, e.g., a broadcast, multicast, or unicast packet addressed to the current RTL8153B-VB adapter.
- The received Magic Packet does not contain a CRC error.
- The Magic Packet pattern matches, i.e., $6 * FFh + MISC$ (can be none) + $16 * DID$ (Destination ID) in any part of a valid Ethernet packet.

A Wake-Up Frame event occurs only when the following conditions are met:

- The destination address of the received Wake-Up Frame is acceptable to the RTL8153B-VB, e.g., a broadcast, multicast, or unicast address to the current RTL8153B-VB adapter.
- The received Wake-Up Frame does not contain a CRC error.
- The received Wake-Up Frame matches the Wake-Up Frame pattern given by the local machine's OS. Or, the RTL8153B-VB is configured to allow direct packet wake-up, e.g., a broadcast, multicast, or unicast network packet.

Note: The RTL8153B-VB supports 32-set wake-up frames.

6.7. Link Power Management (LPM)

The RTL8153B-VB supports full USB Link Power Management (LPM). It provides an efficient way for the host to manage power consumption. The four power management states are L0, L2, L3 in USB 2.0, and L1 in extended USB 2.0.

USB 3.0 also defines four power management states: U0, U1, U2, and U3. If host and hub support LPM, the host/hub can put the device into a low power state. The RTL8153B-VB will deactivate some of its circuits to reduce power consumption in the low power state, and go back to full functionality in active state.

Refer to <http://www.usb.org/developers/docs/>

6.8. Protocol Offload

Protocol offload is a task offload supported by Microsoft Windows 7 and following versions. It maintains a network presence for a sleeping higher power host. Protocol offload prevents spurious wake-up and further reduces power consumption. It maintains connectivity while hosts are asleep, including receiving requests from other nodes on the network, ignoring packets, generating packets while in the sleep state (e.g., the Ethernet Controller will generate ARP responses if the same MAC and IPv4 address are provided in the configuration data), and intelligently waking up host systems. The RTL8153B-VB supports the ECMA (European Computer Manufacturers Association) specification including proxy configuration and management, IPv4 ARP, IPv6 NDP, and wake-up packets. The RTL8153B-VB also supports optional ECMA items such as QoS tagged packets and duplicate address detection.

6.9. Wake Packet Detection (WPD)

The RTL8153B-VB supports Microsoft Wake Packet Detection (WPD) to provide Wake-Up Frame information to the OS, e.g., PatternID, OriginalPacketSize, SavedPacketSize, SavedPacketOffset, etc. WPD helps prevent unwanted/unauthorized wake-up of a sleeping computer.

Refer to the Microsoft Wake Packet Detection (WPD) Interface Specification for details ([http://msdn.microsoft.com/en-us/library/hh440160\(v=vs.85\).aspx](http://msdn.microsoft.com/en-us/library/hh440160(v=vs.85).aspx)).

6.10. 'RealWoW!' (Wake-On-WAN) Technology



The RTL8153B-VB supports Realtek 'RealWoW!' technology that allows the RTL8153B-VB to send keep-alive packets to the Wake Server when the PC is in sleeping mode. Realtek 'RealWoW!' can pass wake-up packets through a NAT (Network Address Translation) device. This feature allows PCs to reduce power consumption by remaining in low power sleeping state until needed.

Users can login into the Wake Server via the Internet to wake the selected sleeping PC. Registration of Account information to the Wake Server is required on first time use.

6.11. Energy Efficient Ethernet (EEE)

The RTL8153B-VB supports IEEE 802.3az-2010, also known as Energy Efficient Ethernet (EEE), at 10Mbps, 100Mbps, and 1000Mbps. It provides a protocol to coordinate transitions to/from a lower power consumption level (Low Power Idle mode) based on link utilization. When no packets are being transmitted, the system goes to Low Power Idle mode to save power. Once packets need to be transmitted, the system returns to normal mode, and does this without changing the link status and without dropping/corrupting frames.

To save power, when the system is in Low Power Idle mode most of the circuits are disabled, however, the transition time to/from Low Power Idle mode is kept small enough to be transparent to upper layer protocols and applications.

EEE also specifies a negotiation method to enable link partners to determine whether EEE is supported and to select the best set of parameters common to both devices.

Refer to <http://www.ieee802.org/3/az/index.html> for more details.

6.12. LAN Disable Mode

The RTL8153B-VB supports the 'LAN Disable Mode' that can use an external signal to control whether the NIC is enabled or disabled. When the RTL8153B-VB is in LAN disable mode, the RTL8153B-VB enters power saving state.

6.13. Always On Always Connected

The RTL8153B-VB supports Microsoft's AOAC (Always On Always Connected) model. The AOAC platform can enter the system state 'Connected Standby' and allow the RTL8153B-VB to enter a low-power state. The RTL8153B-VB will maintain Layer 2 connectivity and generate a wake signal when one of the following conditions is satisfied:

- Link status becomes 'connected'
- Link status becomes 'disconnected'
- Receives a magic packet
- Receives a wakeup frame (pattern match)

6.14. Switching Regulator

The RTL8153B-VB incorporates a state-of-the-art switching regulator that requires a well-designed PCB layout in order to achieve good power efficiency and lower the output voltage ripple and input overshoot. Note that the switching regulator 1.0V output pin (REGOUT) must be connected only to DVDD10, AVDD10, U3VDD10, and U2VDD10 (do not provide this power source to other devices).

6.15. LDO Regulator

The RTL8153B-VB incorporates linear Low-Dropout (LDO) regulators that feature high power supply ripple rejection and low output noise. The RTL8153B-VB embedded LDO regulators do not require power inductors on the PCB; only an output capacitor between its output and analog ground for phase compensation, which saves cost and PCB real estate.

The output capacitors (and bypass capacitors) should be placed as close as possible to the power pins for adequate filtering.

Note 1: The embedded LDO is designed for the RTL8153B-VB internal use only. Do not provide this power source to other devices.

Note 2: The digital LDO output pin (DVDD10_UPS) should be separated from the other 1.0V SWR output pin (REGOUT).

6.16. Driver Auto-Install Mode

Realtek's auto-install mode solves the problem of a lack of network connection or CD-ROM hardware on some recent computer platforms making driver installation difficult. With auto-install mode configured, attach the driver-less RTL8153B-VB to a system. The RTL8153B-VB will disconnect, switch to auto-install mode, and reconnect as a USB CD-ROM with a programmed driver installer. The driver will install itself and the RTL8153B-VB will switch back to USB NIC mode after installation.

The mechanism for identifying driver existence has inherent limitations due to the USB protocol. The general USB enumeration flow consists of Set Address and Set Configuration control transfer. The Set Address is done by the operating system, the Set Configuration is done by the device driver (see note1).

The RTL8153B-VB detects the driver existence by starting the auto-install mode timer when it receives Set Address. If the driver exists, the driver will do Set Configuration within a short time (millisecond scale after the driver has loaded). The timer will stop upon receipt of Set Configuration. If a driver is not present, the device will not receive Set Configuration and the timer will timeout (default timeout value is 8 seconds).

Note 1: For Linux and OSX, the USB SetConfig is handled by the system USB framework (USB host controller driver and/or USB bus driver); this behavior cannot trigger RTL8153B-VB switching to auto-install mode. As a result, RTL8153B-VB supports auto-install mode in Windows only.

For Linux, Realtek supports a built-in in-house/ECM driver.

For OSX, Realtek supports a built-in ECM driver; users can also install an in-house driver.

Note 2: For more technical information, refer to the auto-install mode application note.

7. Characteristics

7.1. Absolute Maximum Ratings

WARNING: Absolute maximum ratings are limits beyond which permanent damage may be caused to the device, or device reliability will be affected. All voltages are specified reference to GND unless otherwise specified.

Table 20. Absolute Maximum Ratings

Symbol	Description	Minimum	Maximum	Unit
VDD5	5.0V Supply Voltage	-0.3	5.5	V
DVDD33, AVDD33	3.3V Supply Voltage	-0.3	3.63	V
DVDD10, AVDD10, U3VDD10, U2VDD10, DVDD10_UPS	1.0V Supply Voltage	-0.3	1.1	V
Dcinput	Input Voltage	-0.3	Corresponding Supply Voltage + 10%	V
Dcoutput	Output Voltage	-0.3	Corresponding Supply Voltage + 10%	V
N/A	Storage Temperature	-55	+125	°C

Note: Refer to the most updated schematic circuit for correct configuration.

7.2. Recommended Operating Conditions

Table 21. Recommended Operating Conditions

Description	Symbol	Minimum	Typical	Maximum	Unit
Supply Voltage VDD	VDD5	4.5	5.0	5.5	V
	DVDD33, AVDD33	3.14	3.3	3.46	V
	DVDD10, AVDD10, U3VDD10, U2VDD10, DVDD10_UPS	0.95	1.0	1.05	V
Ambient Operating Temperature T _A	-	0	-	70	°C
Maximum Junction Temperature	-	-	-	125	°C

Note: Refer to the most updated schematic circuit for correct configuration.

7.3. Electrostatic Discharge Performance

Table 22. Electrostatic Discharge Performance

Test Item	Results
HBM ESD	All Pins: 5KV
MM ESD	All Pins: 200V
CDM ESD	All Pins: 1.5KV
Cable ESD*	All MDI Pins: 5KV All Pairs: 10KV
Latch Up	I/O Pins: 100mA Power Pins: 1.5xVDD

Note: 'All MDI pins' means the ESD current is introduced to the each MDI pin separately. 'All pairs' means the ESD current is introduced to the aggregated MDI pairs.

7.4. Crystal Requirements

Table 23. Crystal Requirements

Symbol	Description/Condition	Minimum	Typical	Maximum	Unit
F _{ref}	Parallel resonant crystal reference frequency, fundamental mode, AT-cut type	-	25	-	MHz
F _{ref} Stability	Parallel resonant crystal frequency stability, fundamental mode, AT-cut type. T _a =0°C ~ +70°C	-30	-	+30	ppm
F _{ref} Tolerance	Parallel resonant crystal frequency tolerance, fundamental mode, AT-cut type. T _a =25°C	-50	-	+50	ppm
F _{ref} Duty Cycle	Reference Clock Input Duty Cycle	40	-	60	%
ESR	Equivalent Series Resistance	-	-	70 Note 3	Ω
CL	Load Capacitance	16	-	20	pF
Jitter	Broadband Peak-to-Peak Jitter	-	-	200	ps
DL	Drive Level	-	-	0.3	mW

Note 1: The CLK source can come from other places in the system, but it must accord with the parameters above.

Note 2: Broadband RMS=9ps; 25KHz to 25MHz RMS=3ps.

Note 3: The ESR maximum value is based on the shunt capacitance specified by the crystal manufacturer and two external capacitors of 27pF recommended in the latest reference schematic. When:

shunt capacitance = 3pF, the ESR maximum value = 50Ω

shunt capacitance = 5pF, the ESR maximum value = 40Ω

shunt capacitance = 7pF, the ESR maximum value = 30Ω

Note 4: The accuracy of the crystal resonance frequency can be achieved by matching the load capacitance correctly to the designed-in circuit. The latest schematic circuit recommends two external capacitors of 27pF connected between the crystal and ground. To match this use the load capacitance specified by the crystal manufacturer of 16~20pF.

7.5. Oscillator Requirements

Table 24. Oscillator Requirements

Parameter	Condition	Minimum	Typical	Maximum	Unit
Frequency	-	-	25/48	-	MHz
Frequency Stability	T _a = 0°C ~ +70°C	-30	-	+30	ppm
Frequency Tolerance	T _a = 25°C	-50	-	+50	ppm
Duty Cycle	-	40	-	60	%
Broadband Peak-to-Peak Jitter	-	-	-	200	ps
V _{ih}	-	1.4	-	-	V
V _{il}	-	-	-	0.4	V
Rise Time	-	-	-	10	ns
Fall Time	-	-	-	10	ns
Operation Temp Range	-	0	-	70	°C

Note 1: The CLK source can come from other places in the system, but it must accord with the parameters above.

Note 2: Broadband RMS=9ps; 25KHz to 25MHz RMS=3ps.

7.6. Environmental Characteristics

Table 25. Environmental Characteristics

Parameter	Minimum	Maximum	Units
Storage Temperature	-55	+125	°C
Ambient Operating Temperature	0	70	°C
Moisture Sensitivity Level (MSL)	Level 3		N/A

7.7. DC Characteristics

Table 26. DC Characteristics

Symbol	Parameter	Conditions	Minimum	Typical	Maximum	Units
VDD5	5.0V Supply Voltage	-	4.5	5.0	5.5	V
DVDD33, AVDD33	3.3V Supply Voltage	-	3.14	3.3	3.46	V
DVDD10, AVDD10, U3VDD10, U2VDD10, DVDD10_UPS	1.0V Supply Voltage	-	0.95	1.0	1.05	V
V _{oh}	Minimum High Level Output Voltage	I _{oh} = -4mA	0.9*VDD33	-	VDD33	V
V _{ol}	Maximum Low Level Output Voltage	I _{ol} = 4mA	0	-	0.1*VDD33	V
V _{ih}	Minimum High Level Input Voltage	-	2.0	-	-	V
V _{il}	Maximum Low Level Input Voltage	-	-	-	0.8	V
I _{in}	Input Current	V _{in} = VDD33 or GND	0	-	0.5	μA
Icc5	Average Operating Supply Current from 5.0V (does NOT include 3.3V and 1.0V power consumption)	At 1000Mbps with heavy network traffic	-	0.5	-	mA
Icc33	Average Operating Supply Current from 3.3V (does NOT include 1.0V power consumption)	At 1000Mbps with heavy network traffic	-	70	-	mA
Icc10	Average Operating Supply Current from 1.0V	At 1000Mbps with heavy network traffic	-	170	-	mA
Isys5	Average Operating Supply Current for total system 5V (includes 3.3V and 1.0V power consumption)	At 1000Mbps with heavy network traffic	-	Note 3	-	mA

Note 1: Refer to the most updated schematic circuit for correct configuration.

Note 2: All Supply Voltage power noise <±5% of Supply Voltage.

Note 3: The total operating current Isys5 = Icc5 + Icc33 + Icc10*1.0/Efficiency/5, where Efficiency = 0.70

7.8. Reflow Profile Recommendations

Table 27. Reflow Profile Recommendations

Profile Feature	Sn-Pb Eutectic Assembly	Pb-Free Assembly
Minimum Preheat Temperature (T_{smin})	100°C	150°C
Maximum Preheat Temperature (T_{smax})	150°C	200°C
Preheat Time (t_s) from T_{smin} to T_{smax}	60~120 seconds	60~120 seconds
Ramp-Up Rate (T_L to T_p)	3°C/second max.	3°C/second max.
Liquidus Temperature (T_L)	183°C	217°C
Time (t_L) Maintained above T_L	60~150 seconds	60~150 seconds
Peak Package Body Temperature (T_p)	235°C	260°C
Time (t_p) ² within 5°C of Peak T_p	20 seconds	20 seconds
Ramp-Down Rate (T_p to T_L)	6°C/second max.	6°C/second max.
Time 25°C to Peak Temperature (T_p)	6 minutes max.	8 minutes max.

Note 1: All temperatures refer to the topside of the package, measured on the package body surface.

Note 2: Tolerance for T_p is defined as a supplier's minimum and a user's maximum.

Note 3: Reference document: IPC/JEDEC J-STD-020D.1.

7.9. AC Characteristics

7.9.1. 3-Wire EEPROM Interface Timing

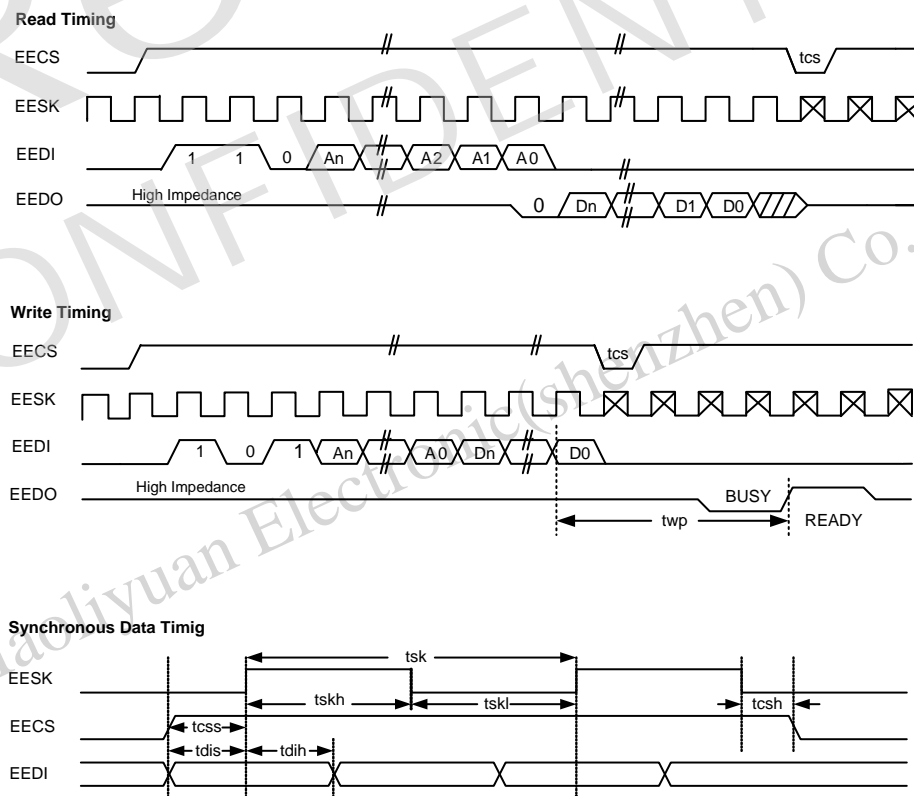

Figure 2. 3-Wire EEPROM Interface Timing

Table 28. 3-Wire EEPROM Access Timing Parameters

Symbol	Parameter	Min	Typical	Max	Unit
tcs	Minimum CS Low Time	1024	4096	-	ns
tcss	CS Setup Time	512	512	-	ns
tcsH	CS Hold Time	-	0	-	ns
tskh	SK High Time	512	512	8192	ns
tskl	SK Low Time	512	512	8192	ns
tsk	SK Clock Cycle Time	1024	1024	16384	ns
tdis	DI Setup Time	512	512	-	ns
tdih	DI Hold Time	512	512	-	ns
twp	Write Cycle Time	-	6	10	ms

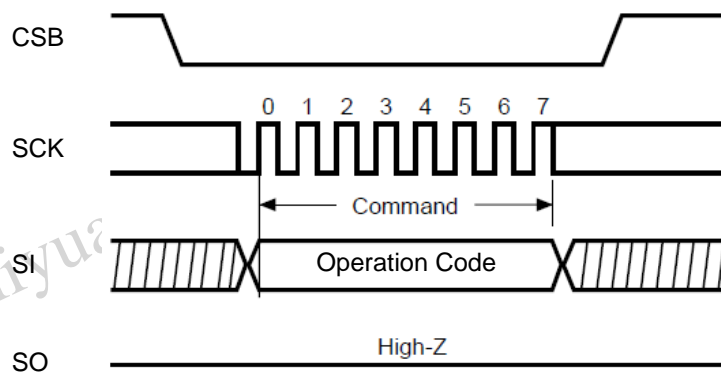
7.9.2. SPI Flash Commands

7.9.2.1 SPI Flash Commands

Table 29. SPI Flash Commands

Command	Operation Code	Action
WREN	06h	Write Enable
WRDI	04h	Write Disable
RDID	9Fh	Read Manufacturer and Product ID
RDSR	05h	Read Status Register
WRSR	01h	Write Status Register
Read	03h	Read
Page Program	02h	Page Program
Sector Erase (4K)	20h	Erase The Selected Sector
Block Erase (64K)	D8h	Erase The Selected Block
Chip Erase	60h or C7h	Erase Whole Chip

7.9.2.2 SPI Flash Command Sequence


Figure 3. WREN/WRDI Command Sequence

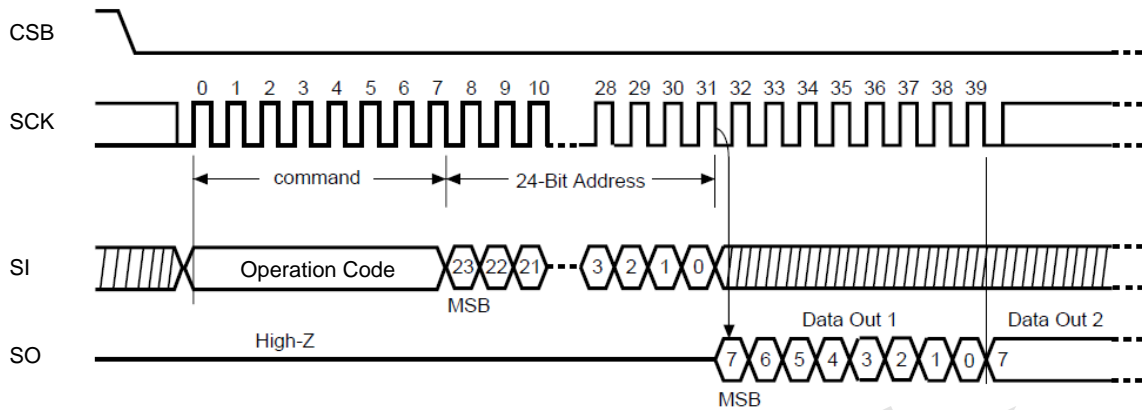


Figure 4. Read Command Sequence

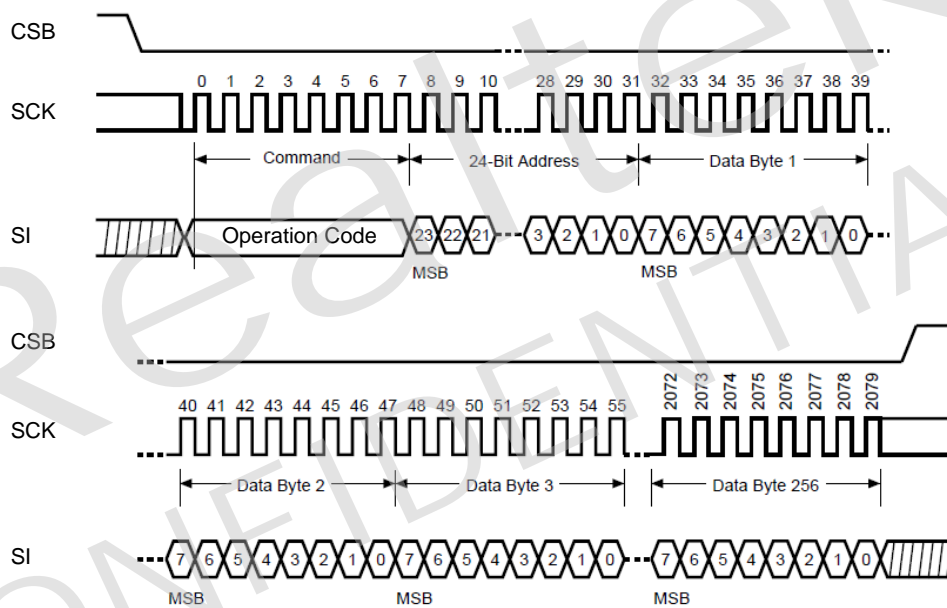


Figure 5. Page Program Command Sequence

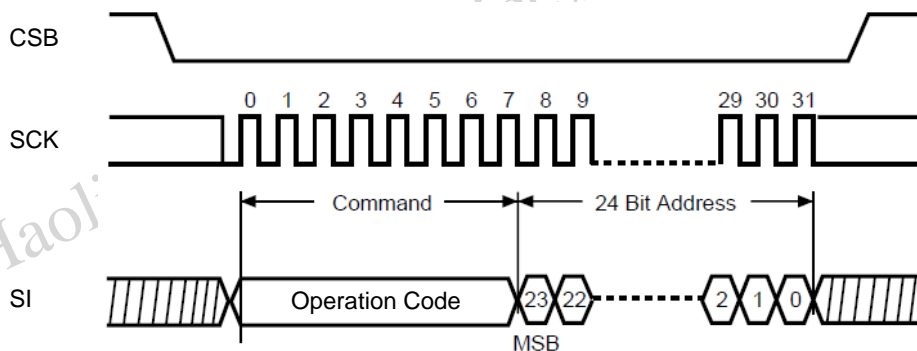


Figure 6. Sector/Block Erase Command Sequence

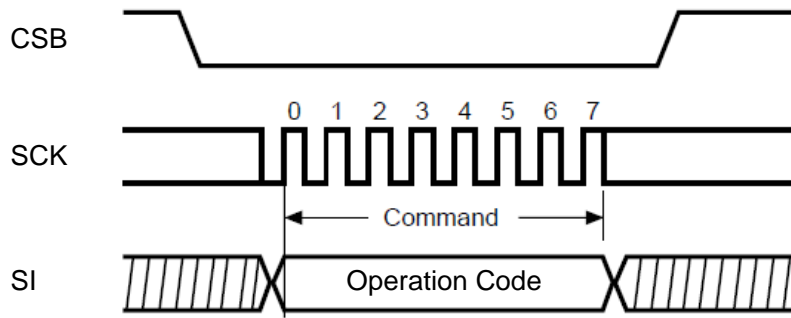
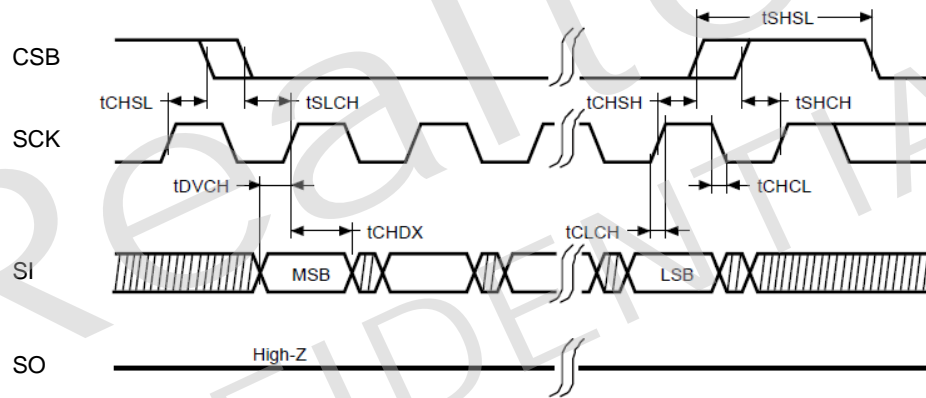


Figure 7. Chip Erase Command Sequence

7.9.3. SPI Flash Interface Timing

Write Timing



Read Timing

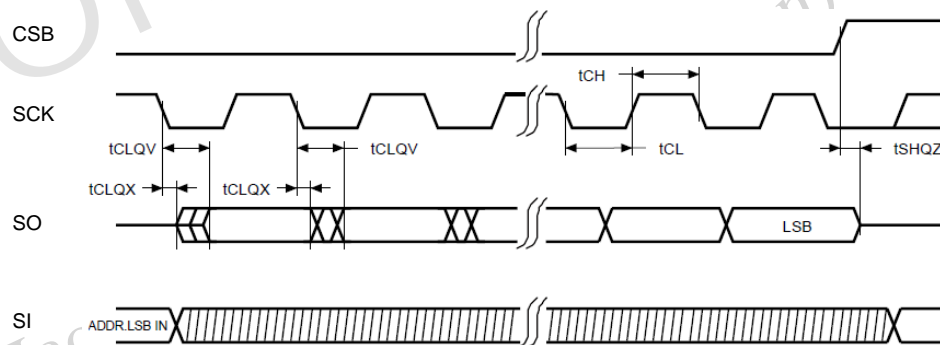


Figure 8. SPI Flash Interface Timing

Table 30. SPI Flash Access Timing Parameters

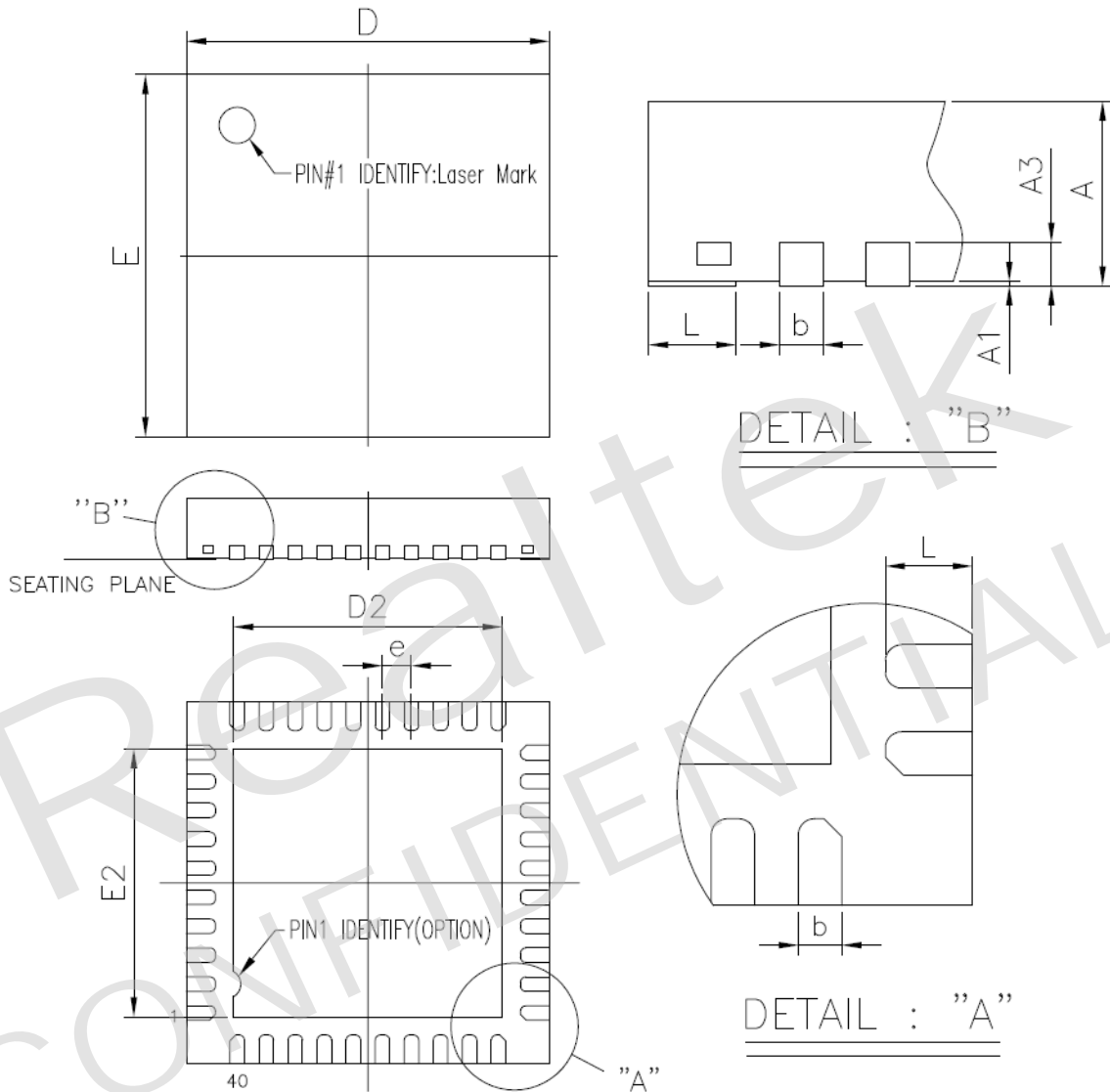
Symbol	Parameter	Min	Typical	Max	Unit
fSCK	Clock Frequency for all instructions except Read data (fC)	DC	-	6	MHz
fRSCK	Clock Frequency for the READ instructions (fR)	DC	-	32	MHz
tCH	Clock High Time (fC)	128	-	-	ns
	Clock High Time (fR)	-	16	-	ns
tCL	Clock Low Time (fC)	40	-	-	ns
	Clock Low Time (fR)	-	16	-	ns
tCLCH	Clock Rise Time	0.1	-	-	V/ns
tCHCL	Clock Fall Time	0.1	-	-	V/ns
tDVCH	SI Setup Time	32	-	-	ns
tCHDX	SI Hold Time	96	-	-	ns
tSHQZ	SO Disable Time	-	-	-	ns
tCLQV	Clock Low to SO Valid	-	-	10	ns
tCLQX	SO Hold Time	0	-	-	ns

Realtek

CONFIDENTIAL

for Haoliyuan Electronic(shenzhen) Co.,Ltd

8. Mechanical Dimensions



Symbol	Dimension in mm			Dimension in inch		
	Min	Nom	Max	Min	Nom	Max
A	0.80	0.85	0.90	0.031	0.033	0.035
A1	0.00	0.02	0.05	0.000	0.001	0.002
A3	0.20 REF			0.008 REF		
b	0.15	0.20	0.25	0.006	0.008	0.010
D/E	5.00 BSC			0.197 BSC		
D2/E2	3.45	3.60	3.75	0.136	0.142	0.148
e	0.40 BSC			0.016 BSC		
L	0.30	0.40	0.50	0.012	0.016	0.020

Notes:

1. CONTROLLING DIMENSION: MILLIMETER (mm).
2. REFERENCE DOCUMENT: JEDEC MO-220.

9. Ordering Information

Table 31. Ordering Information

Part Number	Package	Status
RTL8153B-VB-CG	40-Pin QFN 'Green' Package	MP

Note: See page 4 for package ID information.

Realtek
CONFIDENTIAL
for Haoliyuan Electronic(shenzhen) Co.,Ltd

Realtek Semiconductor Corp.

Headquarters

No. 2, Innovation Road II

Hsinchu Science Park, Hsinchu 300, Taiwan

Tel.: +886-3-578-0211. Fax: +886-3-577-6047

www.realtek.com