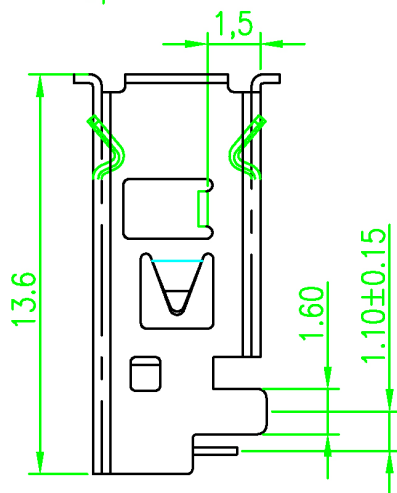
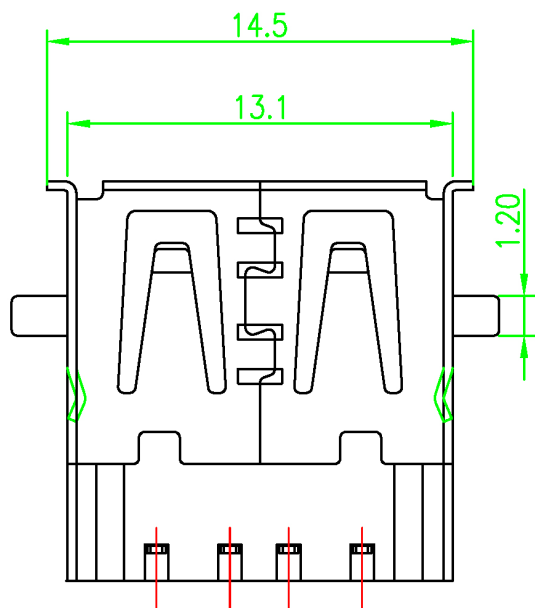
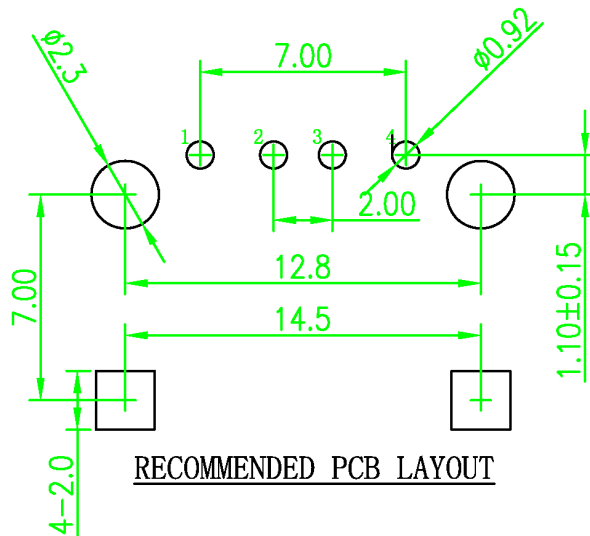
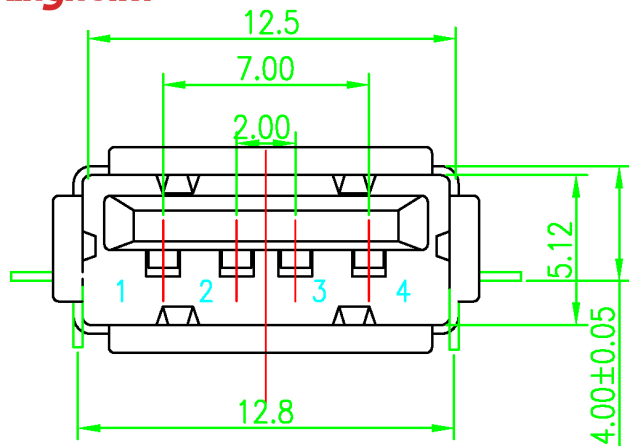


Kinghelm®

REV.	ECN NO	LTR	DESCRIPTION	REVISER	DATE



规格说明: Specifications:

电气特性: Electrical:

1. 额定电流: Current Rating
1.5A/contact terminal
2. 额定电压: Voltage Rating
30V DC
3. 接触阻抗: Contact Resistance
30 milliohms MAX
4. 耐电压: Dielectric Withstanding Voltage:
500 V AC AT Sea Level
5. 绝缘阻抗: Insulation Resistance:
1000MEGA ohms MIN

物理性能: Mechanical:

1. 插拔力: Connector Mate and Unmate Force
Mate force: 3.57kgf (MAX)
Unmate force: 1.02kgf (MIN)
2. 端子保持力: Terminal Retention
1.0kgf (MIN)

原材料: Material:

1. 塑胶: Housing:
High Temperature Thermoplastics,
UL 94V-0 PBT White/Black
2. 端子: Contact: Copper Alloy C2680
3. 外壳: Shell: Copper Alloy SPCC

电镀: Finish:

1. 端子: Contact: Plated Gold in Mating Area;
Tin On Solder Tails
2. 外壳: Shell:
Nickel Plating

产品图 PRODUCT CHART DWG				深圳市金航标电子有限公司			WWW.BDS666.COM		
公差一览表 TOLERANCE UNLESS OTHERWISE				KH-AF90CB-13.6JB			0755-83044319		
X.	±0.25	X.	±5.°	单位 UNITS	MM	制图 DRAWING	制图料号 PRODUCT PART NO.		
.X	±0.20	.X	±2.°	比例 SCALE	1:1	审核 CHKD	产品名称 PRODUCT NO.		
.XX	±0.15	.XX	±1.°	日期 DATE	2016.04.17	核准 APPD	角法 VIEW	版本 VER	AO
.XXX	±0.10	.XXX	±0.5°						