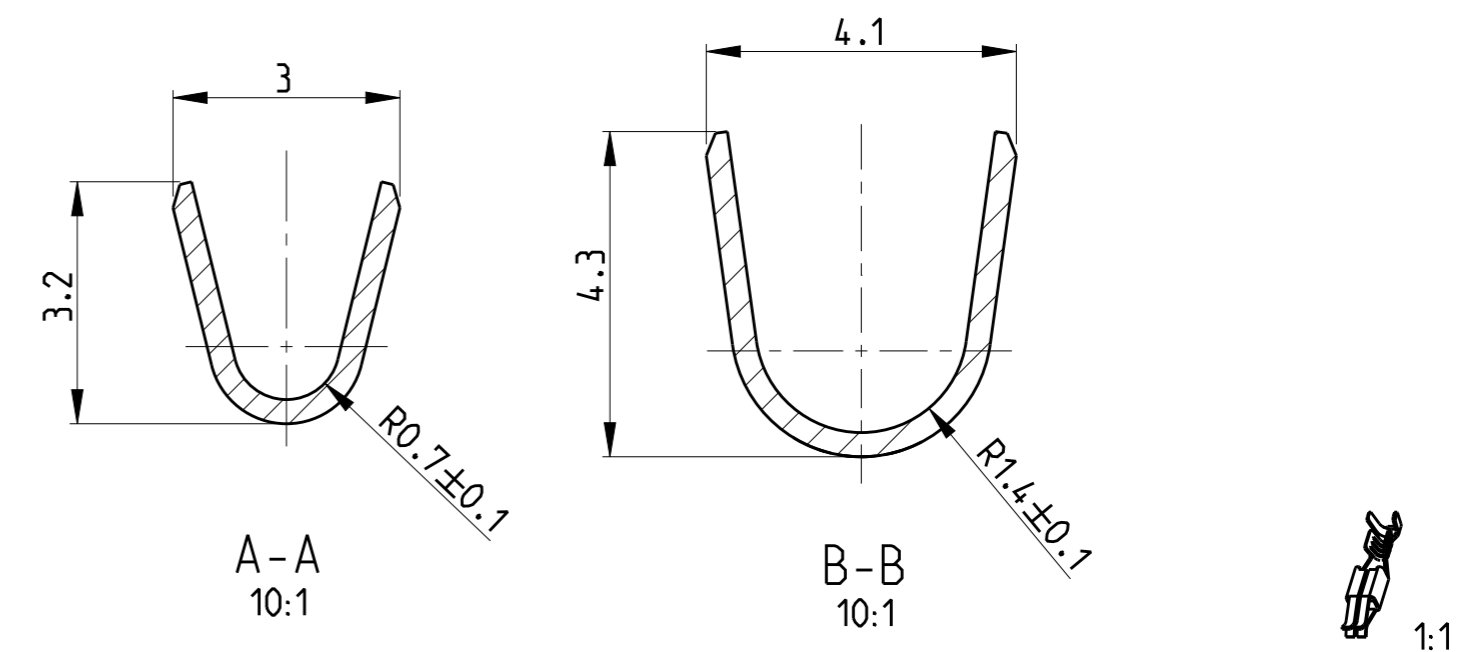
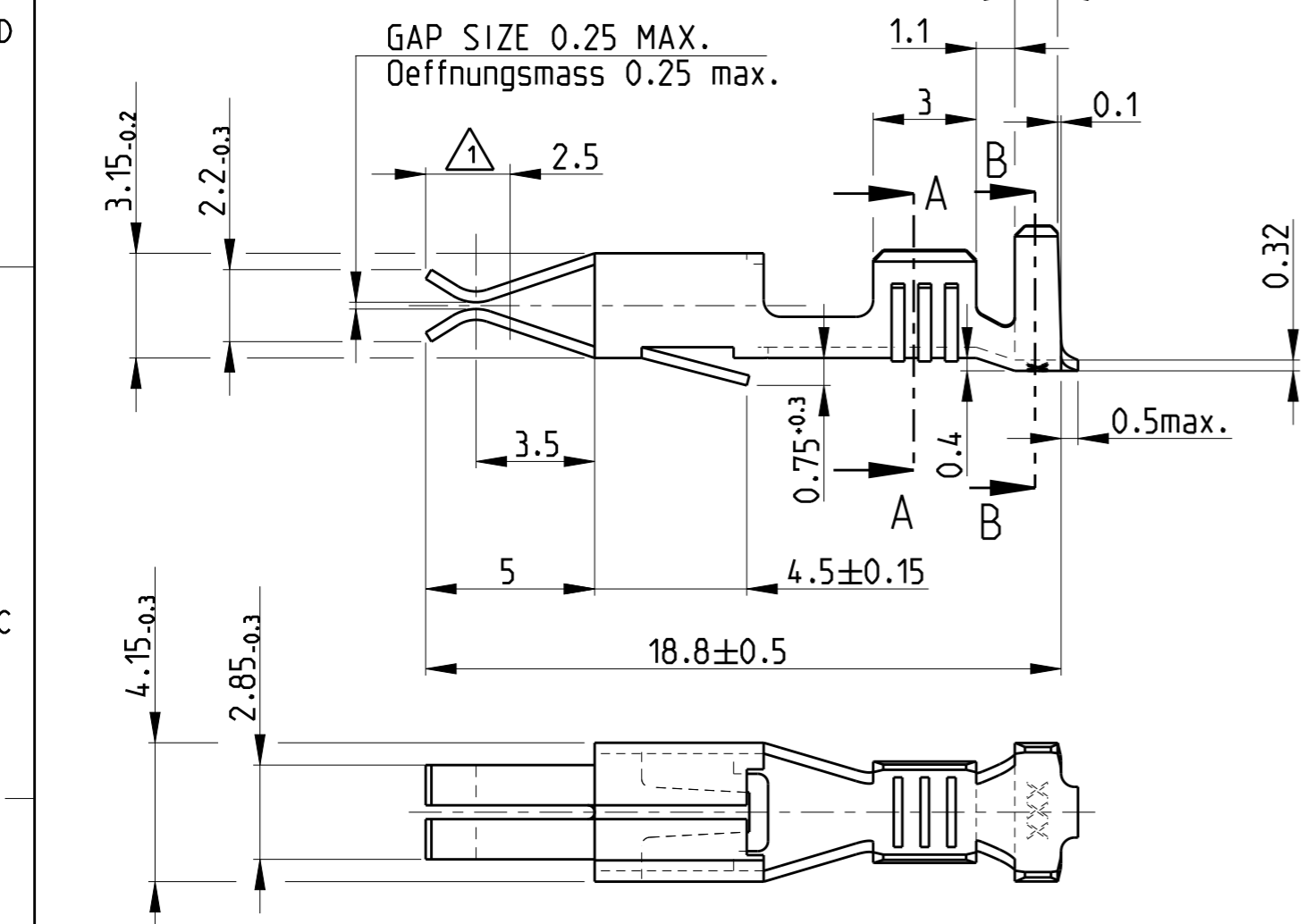


THIS DRAWING IS UNPUBLISHED. RELEASED FOR PUBLICATION 2005
 © COPYRIGHT 2005 ALL RIGHTS RESERVED.

LOC	DIST	REVISIONS			
P	LTR	DESCRIPTION	DATE	DWN	APVD
A1	-				
	Y2	REVISED PER ECO-11-005027	19MAY2011	RK	HMR
	Y3	SET PN 925590-8 TO OBSOLETE	03MAR2015	Ho.	Eder
	Y4	ECR-15-012070	13AUG2015	JB JH	BK



Leitung/WIRE: FLK-Leitng/FLK-WIRE
 Leiter/WIRE: F-Crimp
 Isolation: F-Crimp

Drahtgroessenbereich 0.5-1.5 mm²
 WIRE RANGE 0.5-1.5 mm²
 Isolationsbereich Ø2.0-3.0 mm²
 ISOLATION RANGE Ø2.0-3.0 mm²

		CROSS - SECTION IN mm ² Leitungsquerschnitt in mm ²								
Einzel-anschlag SINGLE CONNECTION		0.50	0.75	1.00	1.50	2.00	2.50	3.00	4.00	6.00
		0.50	X	X						
0.75	X									
1.00	X									
1.50	X									
2.00										
2.50										
3.00										

NOTES/Bemerkungen	MATERIAL	SURFACE COLOR	PART NO	REV
SPLICE FREE	CuSn4	PRETINED /vorverzinkt	1-925590-1	Y
	CuNi12Zn24	blank/PLAIN	1-925590-0	Y
nur fuer/ONLY FOR TYCO GB	CuSn4	PRETINED /vorverzinkt	925590-9	Y
nur fuer/ONLY FOR TYCO Brasilien/BRASIL	CuSn4	ELECTRO TIN/verzinkt	925590-8	Y
	CuSn4	SILVER PLATED /versilbert $\Delta 1$	925590-6	Y
	CuSn4	PLAIN/blank	925590-5	Y
	CuZn30	PRESILVER /vorversilbert	925590-4	Y
	CuSn4	GOLD PLATED /vergoldet $\Delta 1$	925590-3	Y
	CuSn4	PRETINED /vorverzinkt	925590-2	Y
	CuZn30	PRETINED /vorverzinkt	925590-1	Y

THIS DRAWING IS A CONTROLLED DOCUMENT.

DIMENSIONS: mm

TOLERANCES UNLESS OTHERWISE SPECIFIED:
 0 PLC ±0.2
 1 PLC ±0.2
 2 PLC ±0.2
 3 PLC ±0.2
 4 PLC ±0.2
 ANGLES ±1°
 FINISH -

MATERIAL -

Customer Drawing

DWN 19SEP2005 Abraham.G.
 CHK 20SEP2005 Brunner.M.
 APVD 21SEP2005 Bleicher.M.

PRODUCT SPEC 108-18053
 APPLICATION SPEC 114-18079
 WEIGHT 0.35 g

TE Connectivity

NAME Junior-Timer-Kontakt
 Junior-Timer-Kontakt

SIZE A3 CAGE CODE 00779 DRAWING NO C-925590 RESTRICTED TO -

SCALE 5:1 SHEET 1 OF 1 REV Y4