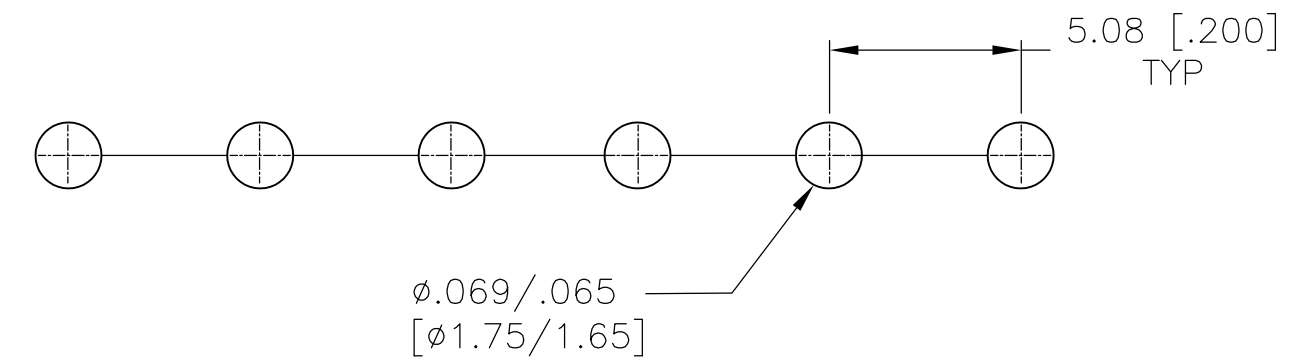
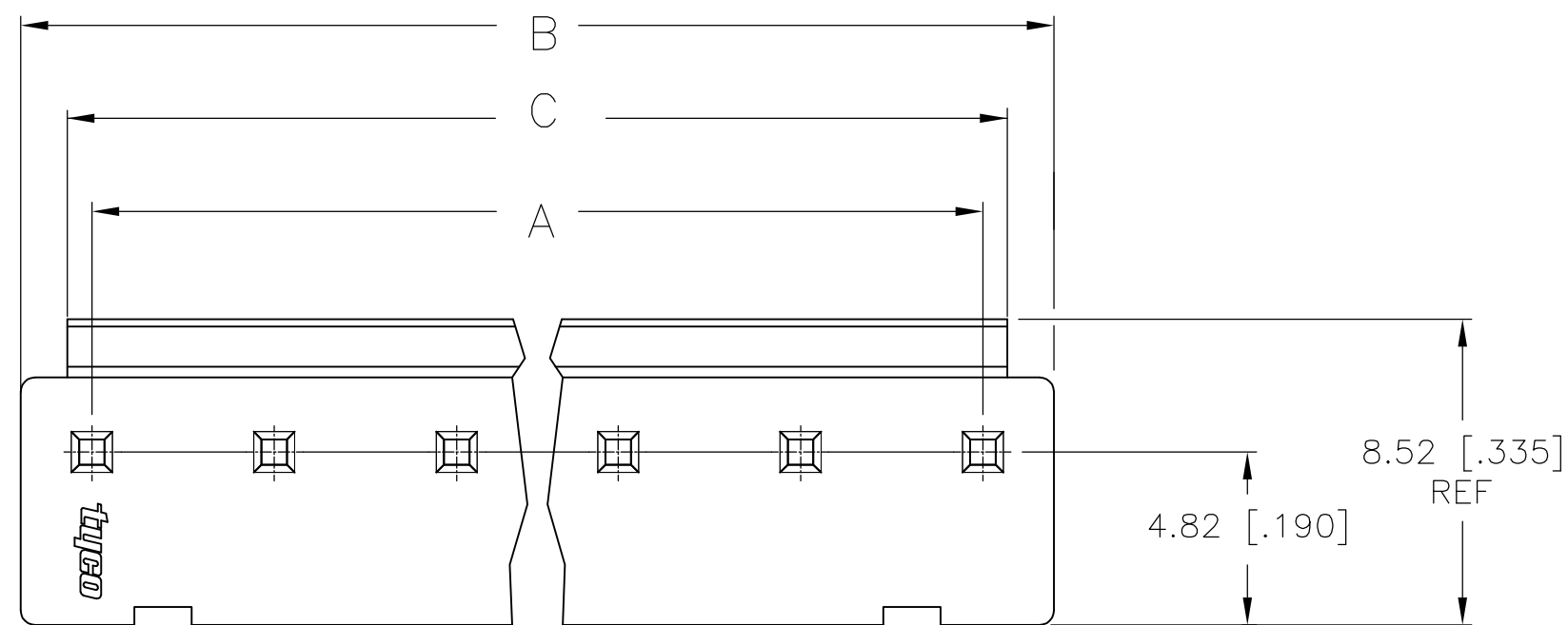
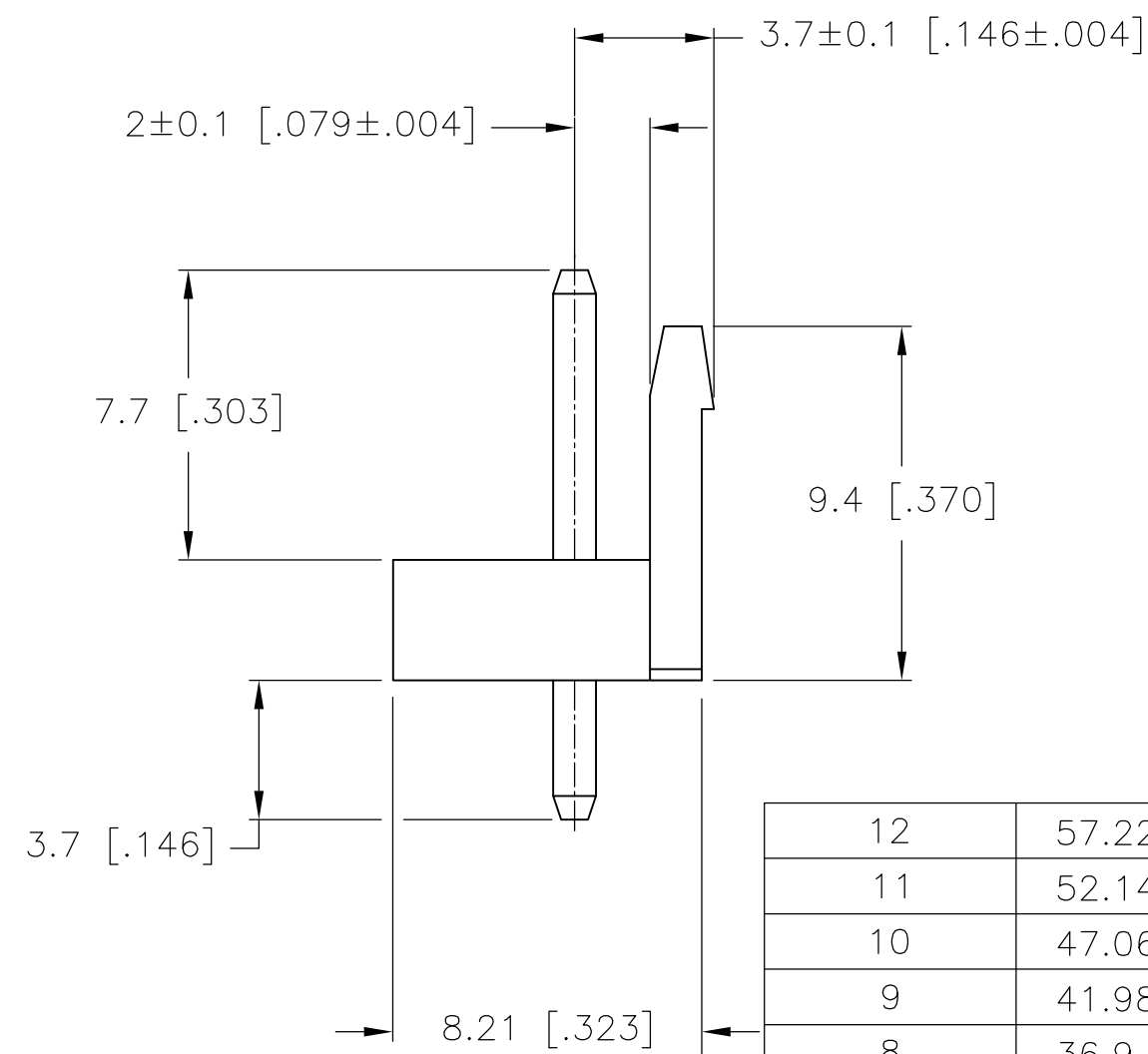
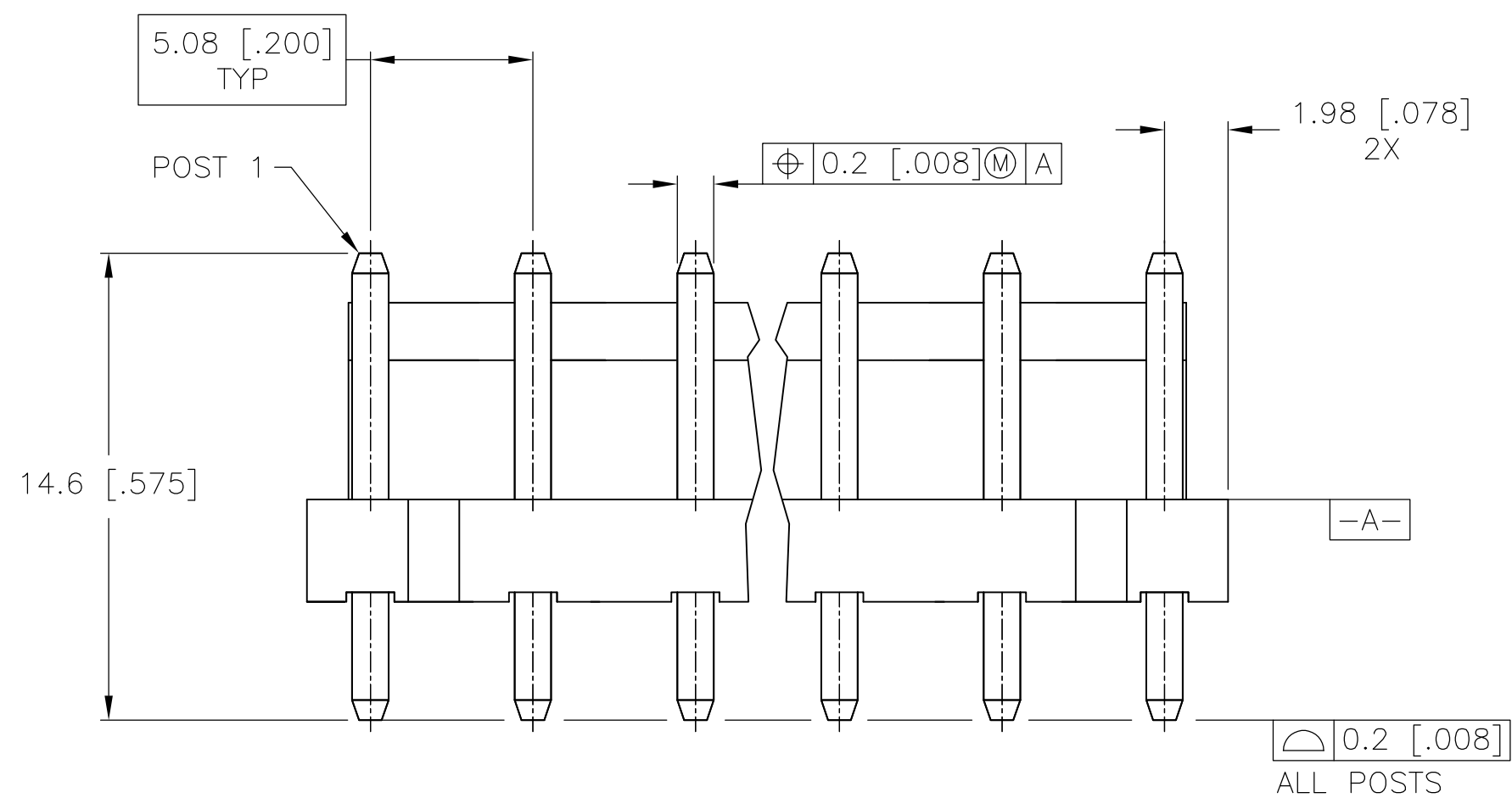


THIS DRAWING IS UNPUBLISHED. RELEASED FOR PUBLICATION
 © COPYRIGHT By - ALL RIGHTS RESERVED.

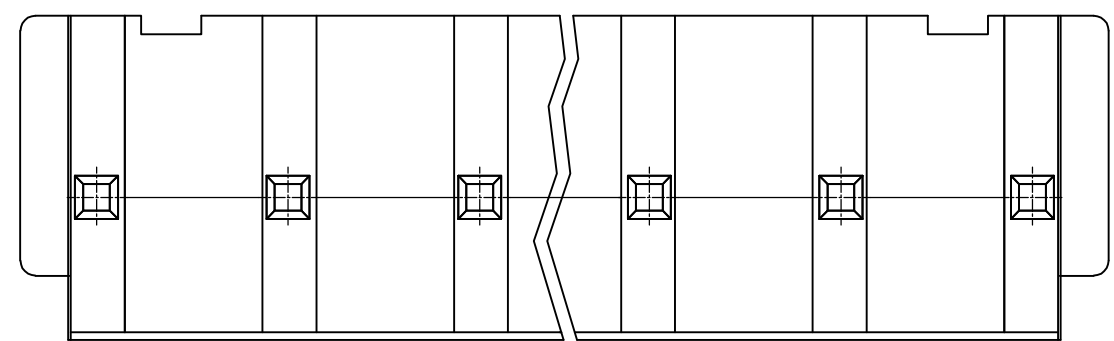
LOC		DIST		REVISIONS			
P	LTR	DESCRIPTION		DATE	DWN	APVD	
GP	00	A2	REVISED PER ECR-15-008260		03JUN2015	O.C	D.Z



RECOMMENDED PC BOARD LAYOUT



- 1. HOUSING MATERIAL: NYLON 66, UL94V-0, NATURAL.
- 2. CONTACT MATERIAL: COPPER ALLOY
- 3. CONTACT PLATING: 0.003[.000120] MIN TIN OVER 0.001[.000039] MIN NICKEL



0.2 [.008] ALL POSTS

12	57.22 [2.254]	59.84 [2.357]	55.88 [2.200]	1-1744037-2
11	52.14 [2.054]	54.76 [2.157]	50.8 [2.000]	1-1744037-1
10	47.06 [1.854]	49.68 [1.957]	45.72 [1.800]	1-1744037-0
9	41.98 [1.654]	44.6 [1.757]	40.64 [1.600]	1744037-9
8	36.9 [1.453]	39.52 [1.557]	35.56 [1.400]	1744037-8
7	31.82 [1.253]	34.44 [1.356]	30.48 [1.200]	1744037-7
6	26.74 [1.053]	29.36 [1.156]	25.4 [1.000]	1744037-6
5	21.66 [.853]	24.28 [.956]	20.32 [.800]	1744037-5
4	16.58 [.653]	19.2 [.756]	15.24 [.600]	1744037-4
3	11.5 [.453]	14.12 [.556]	10.16 [.400]	1744037-3
2	6.42 [.253]	9.04 [.356]	5.08 [.200]	1744037-2
NO OF POSITIONS	DIM C ±0.2 [.008]	DIM B ±0.3 [.012]	DIM A ±0.3 [.012]	PART NUMBER

THIS DRAWING IS A CONTROLLED DOCUMENT.

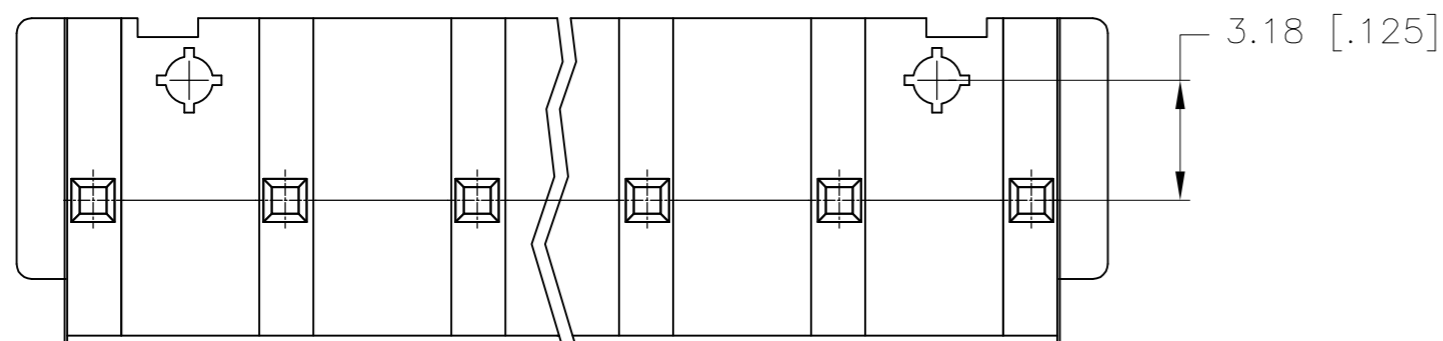
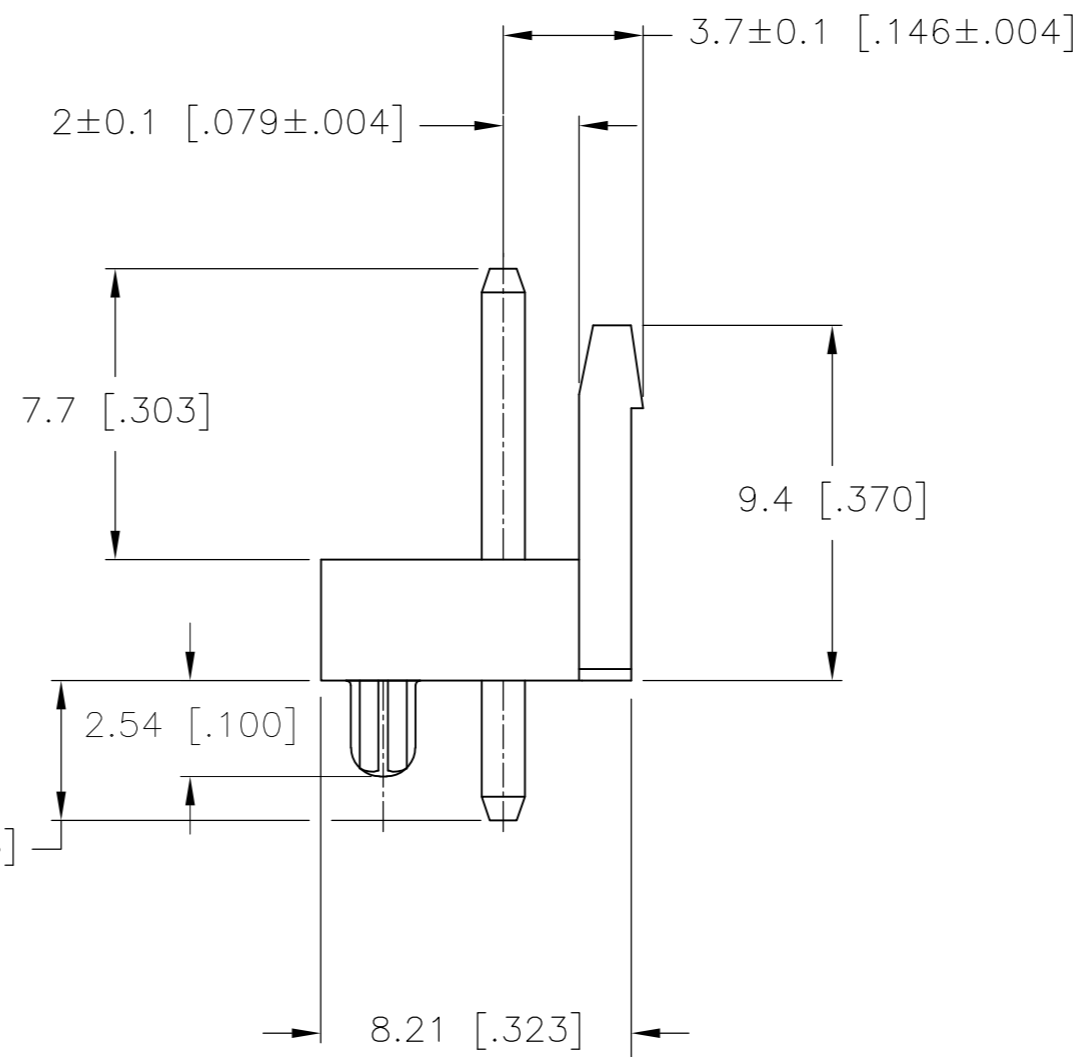
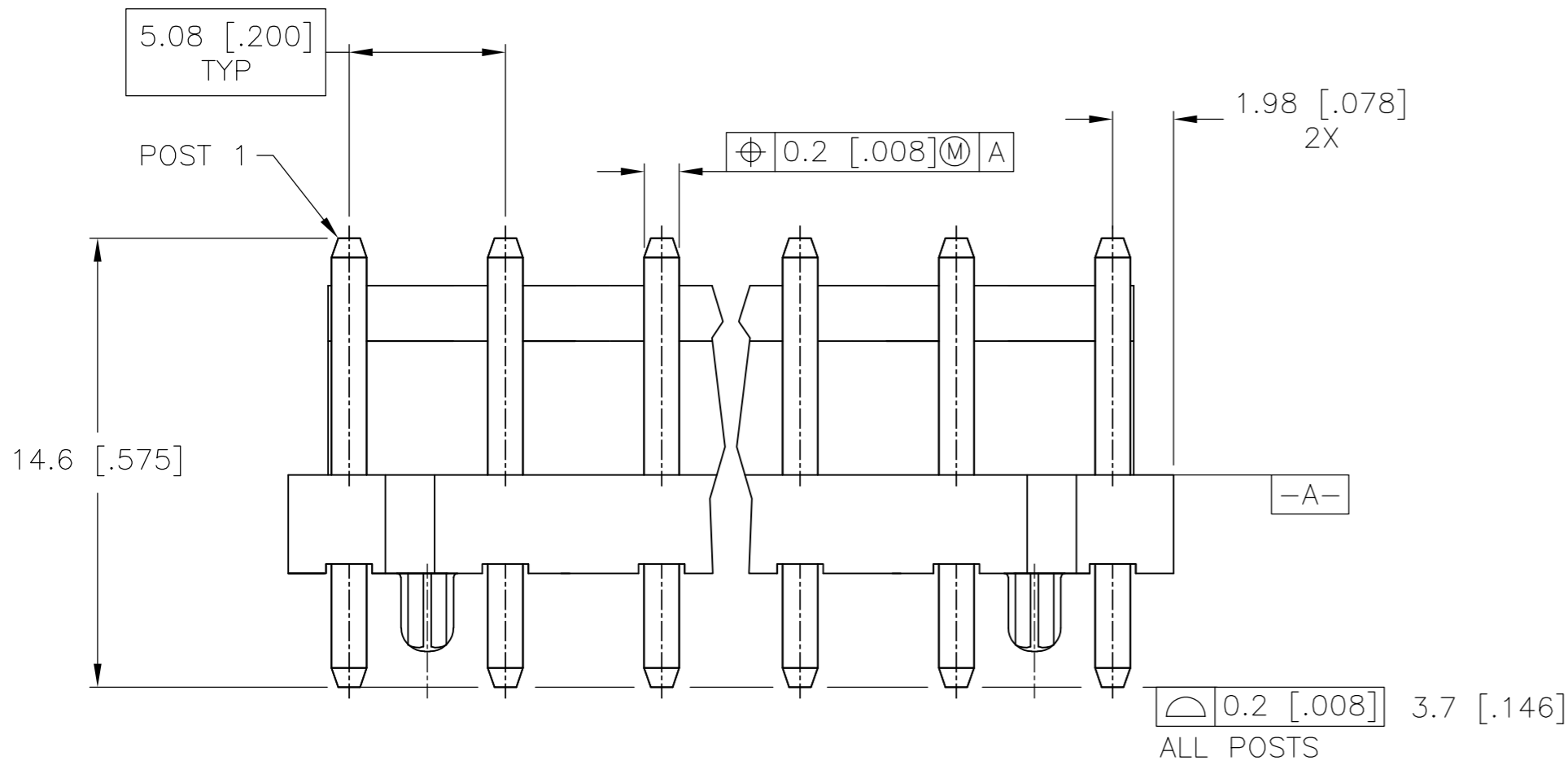
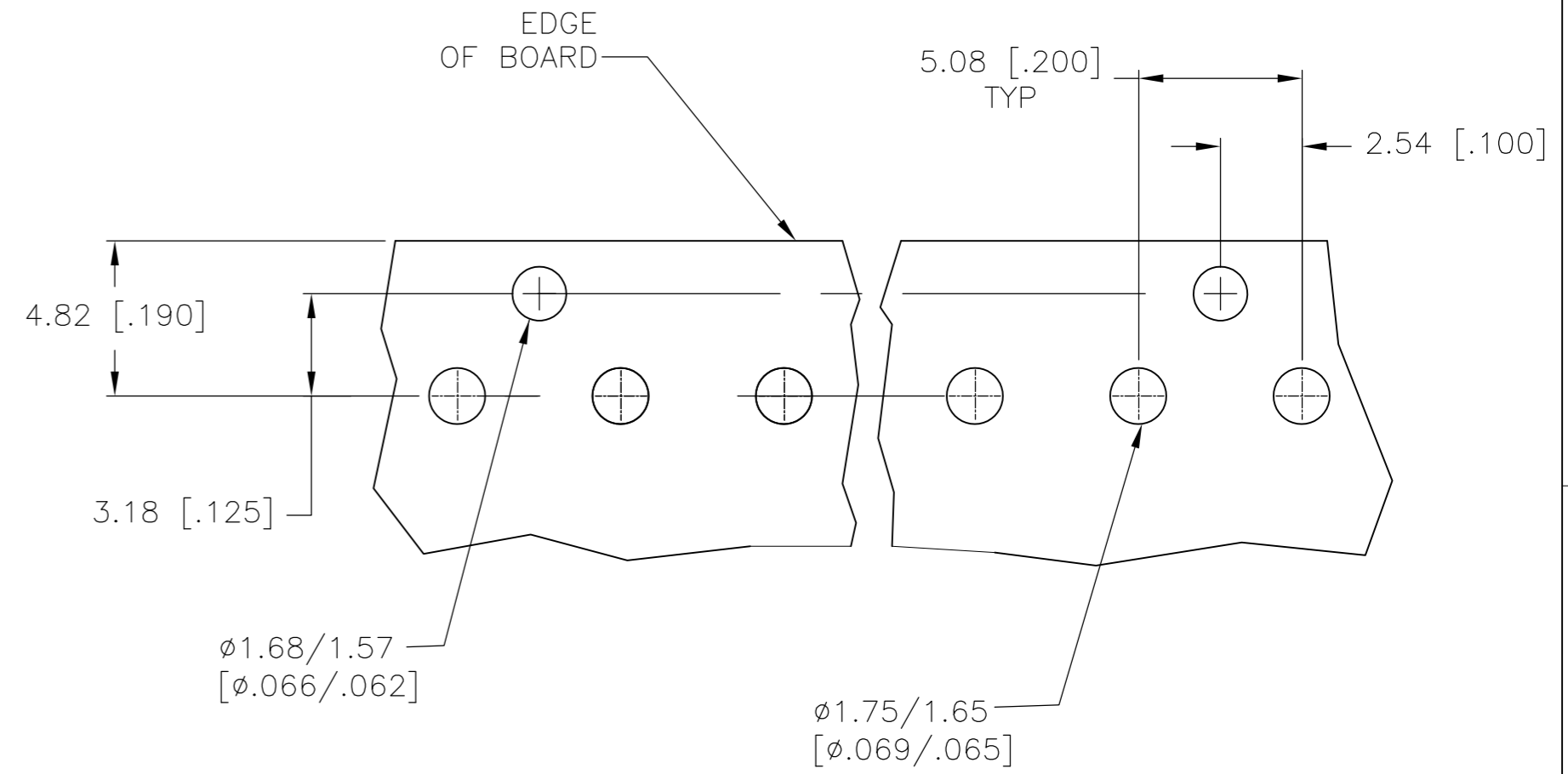
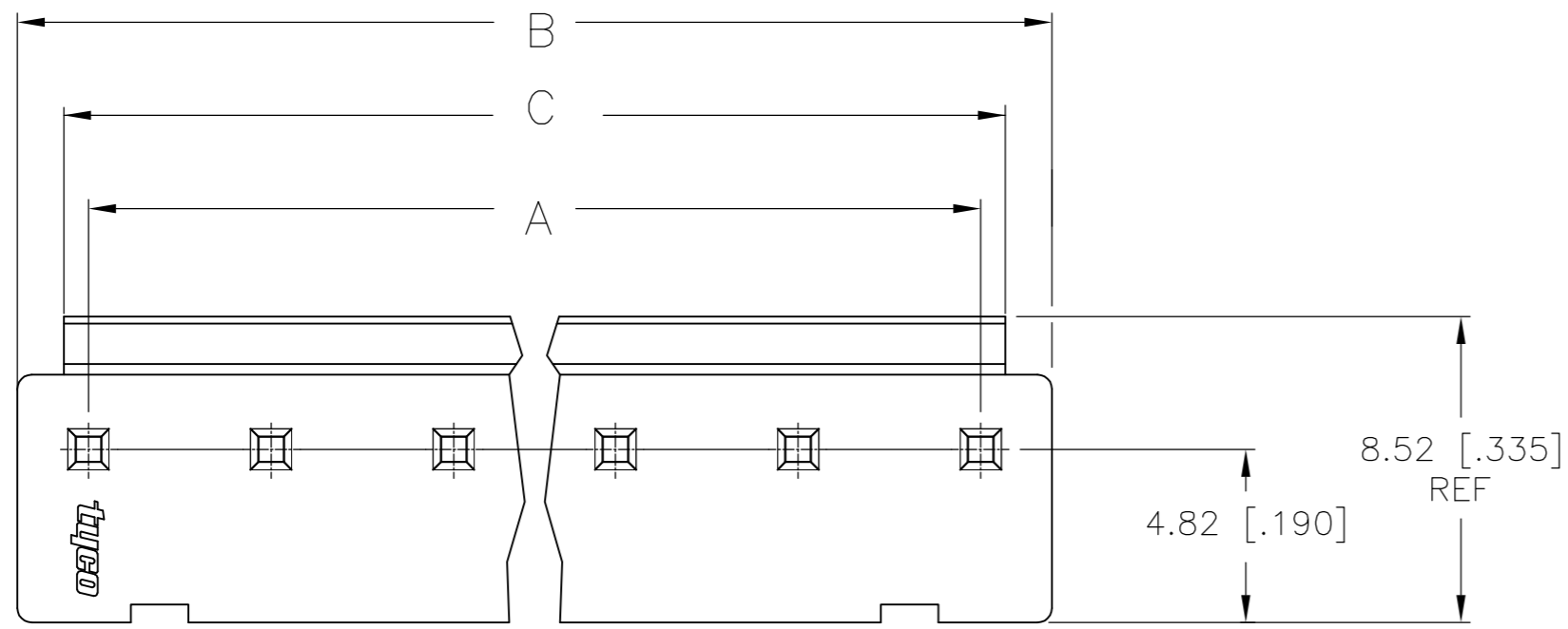
DWN S. HOOVER 01-APR-2004	 TE Connectivity	NAME	RESTRICTED TO	
CHK J. ELLIS 01-APR-2004		HEATER ASSEMBLY-ECONOMY POWER VERTICAL, .200 CENTERLINE	-	
APVD J. ELLIS 01-APR-2004		SIZE A2	CAGE CODE 00779	DRAWING NO 1744037
PRODUCT SPEC		SCALE N/A	SHEET 1 of 2	REV A2

MATERIAL: SEE NOTES

WEIGHT: CUSTOMER DRAWING

THIS DRAWING IS UNPUBLISHED. RELEASED FOR PUBLICATION
 © COPYRIGHT By - ALL RIGHTS RESERVED.

LOC		DIST		REVISIONS			
P	LTR	DESCRIPTION	DATE	DWN	APVD		
GP	00	SEE SHEET 1	-	-	-		



RECOMMENDED PC BOARD LAYOUT

6	26.74 [1.053]	29.36 [1.156]	25.4 [1.000]	3-1744037-6
NO OF POSITIONS	DIM C ± 0.2 [.008]	DIM B ± 0.3 [.012]	DIM A ± 0.3 [.012]	PART NUMBER

THIS DRAWING IS A CONTROLLED DOCUMENT.		DWN S. HOOVER 01-APR-2004		
DIMENSIONS: mm [INCHES]		CHK J. ELLIS 01-APR-2004		
TOLERANCES UNLESS OTHERWISE SPECIFIED:		APVD J. ELLIS 01-APR-2004	NAME	
0 PLC ± -		PRODUCT SPEC	HEADER ASSEMBLY-ECONOMY POWER VERTICAL, .200 CENTERLINE	
1 PLC ± 0.25 [.010]		APPLICATION SPEC	SIZE A2	CAGE CODE 00779
2 PLC ± 0.15 [.006]		WEIGHT	DRAWING NO C=1744037	RESTRICTED TO -
3 PLC ± -		CUSTOMER DRAWING	SCALE N/A	SHEET 2 OF 2
4 PLC ± -				REV A2
ANGLES ± -				
FINISH				
MATERIAL SEE NOTES				