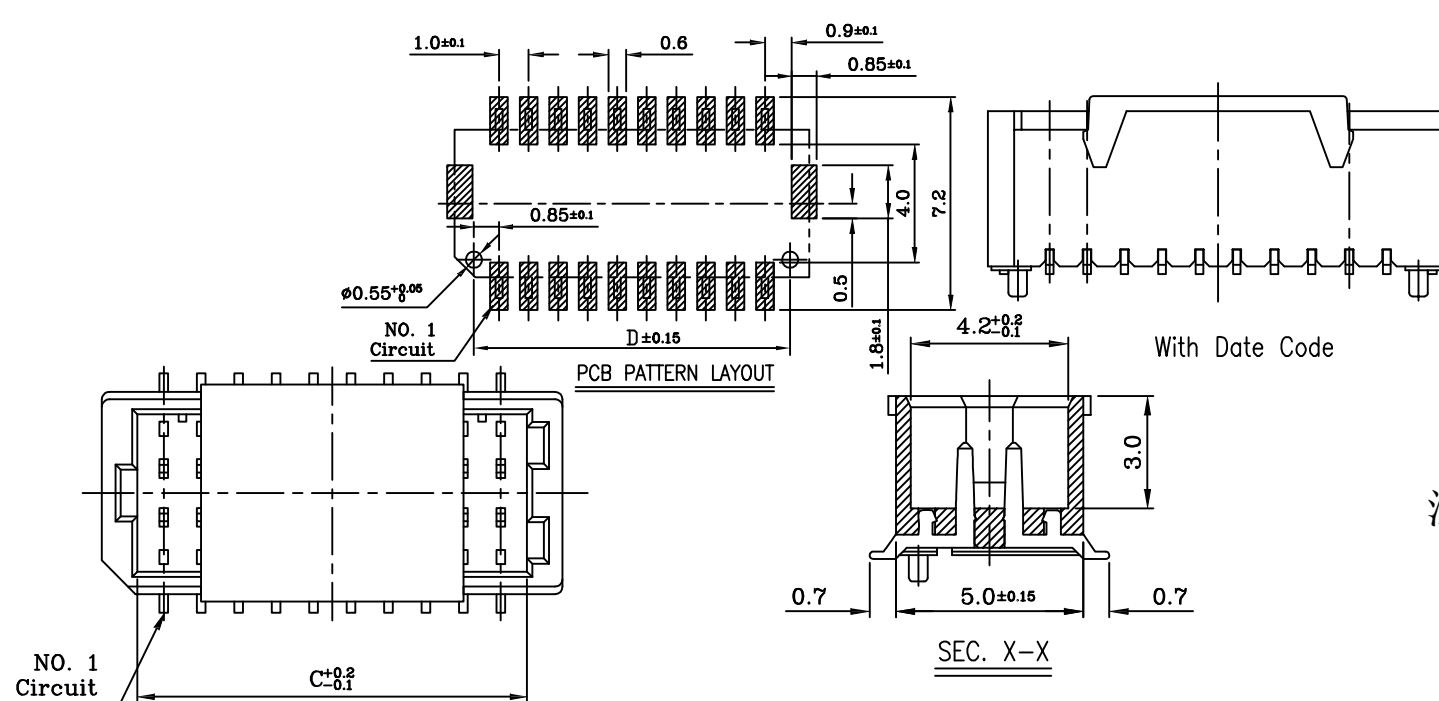
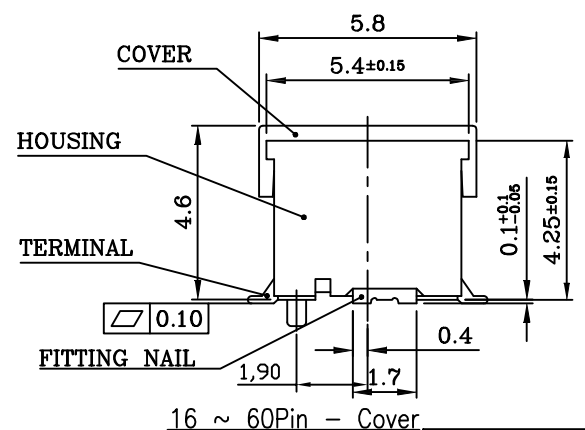
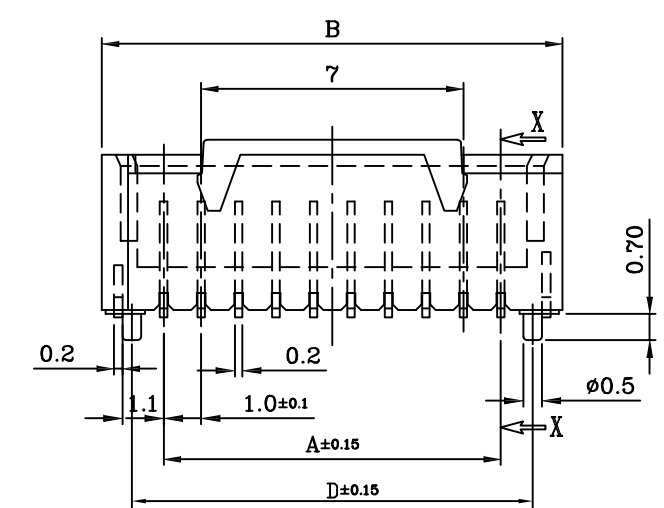


修 订 REV NO	标 记 MARK	修 改 描 要 REVISION DESCRIPTION	签 名 SIGNATURE	日 期 DATE
		NEW DRG		2016-03-12




- NOTES:
- MATERIAL:
 - HOUSING: THERMOPLASTIC, HIGH TEMP., UL94V-0; COLOR:BLACK OR NATURAL.
 - CONTACT: COPPER ALLOY
 - FITTING NAIL: COPPER ALLOY
 - FINISH:
 - CONTACT: PLS SEE P/N LEGEND
 - FITTING NAIL: PLS SEE P/N LEGEND
 - REFLOW SOLDER CAPABLE TO 260° C PER ACES SPEC.
 - SPEC. PLS. REFER TO PS- XL7216-xxxx
 - PLASTIC REEL PACKAGE PLS. REFER TO 87216-XX0X-U-TRP
 - PART NUMBER

注：10、12、14P使用MYLAR


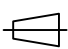


CKT	A	B	C	D
2X5	4.0	7.3	5.4	5.70
2X6	5.0	8.3	6.4	6.70
2X7	6.0	9.3	7.4	7.70
2X8	7.0	10.3	8.4	8.70
2X10	9.0	12.3	10.4	10.70
2X12	11.0	14.3	12.4	12.70
2X15	14.0	17.3	15.4	15.70
2X17	16.0	19.3	17.4	17.70
2X20	19.0	22.3	20.4	20.70
2X25	24	27.3	25.4	25.70

Without Date Code



深圳市华德共创科技有限公司
Shenzhen Huade co-create Technology Co., LTD
电话: 0755-27111225 传真: 0755-29940187

-TOLERANCES- UNLESS OTHERWISE SPECIFIED 公差参数表		 	TITLE: 产品名称: SHD1.0双排立贴针座有柱					
X.X	±0.30	X.X*	±3°	APPD: 核准:		PART NO: 产品编号: HDGC1002WVD-S-2XnP		
X.XX	±0.20	X.XX*	±2°	CHECK: 校对: 王建业	DATE	SCALE	UNIT	CODE NUMBER
X.XXX	±0.10	X.XXX*	±1°	DRAW: 绘图: 黄艳兰	2016-03-12	1:1	mm	A001