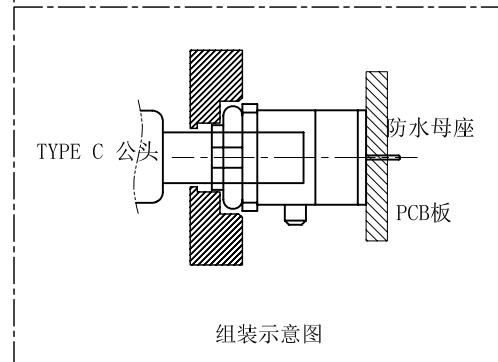
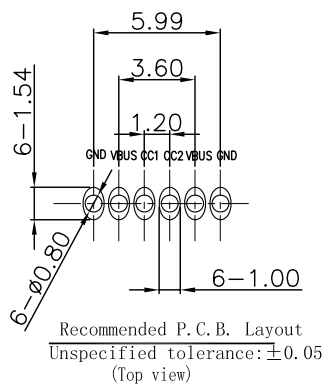
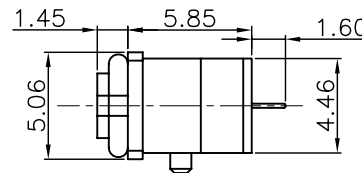
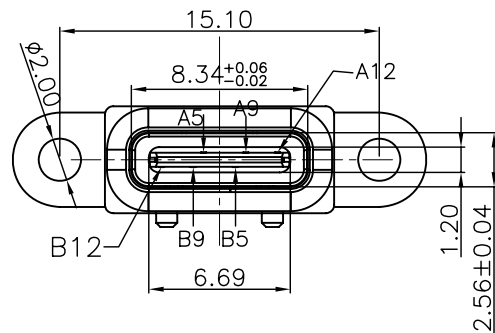


A5	CC1	B12	GND
A9	VBUS	B9	VBUS
A12	GND	B5	CC2
PIN	SIGNAL NAME	PIN	SIGNAL NAME

NOTES:

SPECIFICATION:

1. CURRENT RATING: 3.0A MAX
2. DIELECTRIC WITHSTAND VOLTAGE: 100VAC
3. TEMPERATURE RANGE: -30 °C ~ 85 °C
4. CONTACT RESISTANCE: 40 MILLIONHM MAX
5. INSULATION RESISTANCE: 100 MEGOHMS MIN.
6. INSERTION FORCE : 5N~20N
7. UNMATING FORCE: 8N~20N
8. DURABILITY:5000 CYCLES



4	Shell1	1	SUS301 Ni Plating T=0.25mm	Ni:40~120u";
3	Housing2	1	LCP (G.F30%)	
2	Contact	5	Phosphor bronze C5210R-EH Au/Ni Plating T=0.20mm	Ni:40~160u"; Au:CONTACT AREA:3u", OTHER AREA:G/F
1	Housing	1	PA9T (G.F30%)	
ITEM	PART NAME	Q'TY	FINISH	NOTE



深圳市华宇创精密电子有限公司

TOLERANCE: X.X ± 0.30 X.XX ± 0.25 X.XXX ± 0.15 X' $\pm 2'$ X.X' $\pm 0.5'$ UNIT: mm [inch] SCALE:1:1 SIZE: A4	DRAWN BY : 陈一鸣	DATE : 2014-02-23	PART NAME: 防水USB TYPE C 6P 带双耳 立式插件
	CHECKED BY: 马跃	DATE : 2014-02-23	PART NO. HYCW259-USBC06-730B
	APPROVED BY: 邱敏	DATE : 2014-02-23	DRAW NO: HYC-USB2105151109
			SHEET NO. 1 OF 1