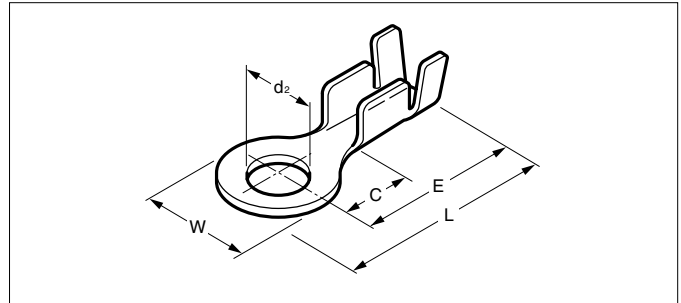


# RING TONGUE TERMINAL

With insulation grip



UL Listed E42024

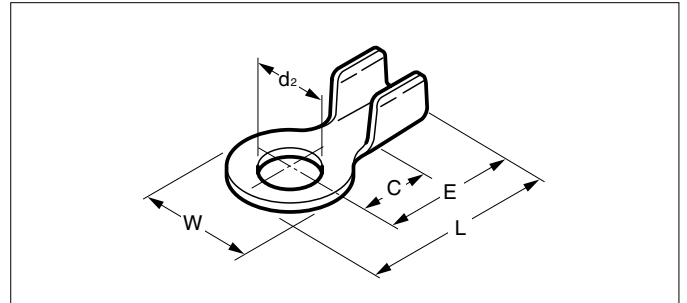
SP Certified LR20812

| Model No.    | Standard   | Applicable wire |          |                      | Material | Finish     | Dimensions(mm)        |      |      |     |     | Q'ty / reel |                    |
|--------------|------------|-----------------|----------|----------------------|----------|------------|-----------------------|------|------|-----|-----|-------------|--------------------|
|              |            | mm <sup>2</sup> | AWG #    | Insulation O.D. (mm) |          |            | d <sub>2</sub> (dia.) | E    | L    | C   | W   |             | Material thickness |
| SRA-01T-3.2  | UL SP      | 0.2 to 0.5      | 24 to 20 | 1.5 to 2.7           | Brass    | —          | 3.2                   | 13.4 | 16.9 | 7.2 | 7.0 | 0.32        | 10,000             |
| SRA-21-3     |            |                 |          |                      |          | Tin-plated |                       |      |      |     |     |             |                    |
| SRA-21T-3    | UL SP      | 0.3 to 0.75     | 22 to 18 | 1.5 to 2.8           | Brass    | —          | 3.7                   | 13.0 | 16.8 | 5.8 | 7.5 | 0.5         | 7,500              |
| SRA-21-3.7   |            |                 |          |                      |          | Tin-plated |                       |      |      |     |     |             |                    |
| SRA-21-4     |            |                 |          |                      |          | —          |                       |      |      |     |     |             |                    |
| SRA-21T-4    |            |                 |          |                      |          | Tin-plated |                       |      |      |     |     |             |                    |
| SRA-21-H5    |            |                 |          |                      |          | —          |                       |      |      |     |     |             |                    |
| SRA-21T-H5   |            |                 |          |                      |          | Tin-plated |                       |      |      |     |     |             |                    |
| SRA-51-3     | UL SP      | 0.5 to 2.0      | 20 to 14 | 2.6 to 3.8           | Brass    | —          | 3.2                   | 13.0 | 16.8 | 5.8 | 7.5 | 0.5         | 7,500              |
| SRA-51T-3    |            |                 |          |                      |          | Tin-plated |                       |      |      |     |     |             |                    |
| SRA-51-3.7   |            |                 |          |                      |          | —          |                       |      |      |     |     |             |                    |
| SRA-51T-3.7  |            |                 |          |                      |          | Tin-plated |                       |      |      |     |     |             |                    |
| SRA-51-4     |            |                 |          |                      |          | —          |                       |      |      |     |     |             |                    |
| SRA-51T-4    |            |                 |          |                      |          | Tin-plated |                       |      |      |     |     |             |                    |
| SRA-51-H5    | —          |                 |          |                      |          |            |                       |      |      |     |     |             |                    |
| SRA-51T-H5   | Tin-plated |                 |          |                      |          |            |                       |      |      |     |     |             |                    |
| SRB-51-3     | UL SP      | 0.5 to 2.0      | 20 to 14 | 2.6 to 3.8           | Brass    | —          | 3.2                   | 15.0 | 19.3 | 7.8 | 8.5 | 0.5         | 5,000              |
| SRB-51T-3    |            |                 |          |                      |          | Tin-plated |                       |      |      |     |     |             |                    |
| SRB-51-3.7   |            |                 |          |                      |          | —          |                       |      |      |     |     |             |                    |
| SRB-51T-3.7  |            |                 |          |                      |          | Tin-plated |                       |      |      |     |     |             |                    |
| SRB-51-4     |            |                 |          |                      |          | —          |                       |      |      |     |     |             |                    |
| SRB-51T-4    |            |                 |          |                      |          | Tin-plated |                       |      |      |     |     |             |                    |
| SRB-51-H5    | —          |                 |          |                      |          |            |                       |      |      |     |     |             |                    |
| SRB-51T-H5   | Tin-plated |                 |          |                      |          |            |                       |      |      |     |     |             |                    |
| SRB-51-5     | —          |                 |          |                      |          |            |                       |      |      |     |     |             |                    |
| SRB-51T-5    | Tin-plated |                 |          |                      |          |            |                       |      |      |     |     |             |                    |
| SRC-01-2.5   | UL SP      | 0.2 to 0.3      | 24 to 22 | 1.3 to 1.7           | Brass    | —          | 2.5                   | 7.0  | 9.3  | 2.9 | 4.6 | 0.32        | 15,000             |
| SRC-01T-2.5  |            |                 |          |                      |          | Tin-plated |                       |      |      |     |     |             |                    |
| SRC-51-M3    | UL SP      | 0.5 to 2.0      | 20 to 14 | 2.6 to 3.8           | Brass    | —          | 3.2                   | 13.5 | 16.8 | 6.7 | 6.5 | 0.5         | 7,500              |
| SRC-51T-M3   |            |                 |          |                      |          | Tin-plated |                       |      |      |     |     |             |                    |
| SRC-51-M3.5  |            |                 |          |                      |          | —          |                       |      |      |     |     |             |                    |
| SRC-51T-M3.5 |            |                 |          |                      |          | Tin-plated |                       |      |      |     |     |             |                    |
| SRC-51-M4    | —          |                 |          |                      |          |            |                       |      |      |     |     |             |                    |
| SRC-51T-M4   | Tin-plated |                 |          |                      |          |            |                       |      |      |     |     |             |                    |
| SRF-51-3     | UL SP      | 0.5 to 2.0      | 20 to 14 | 2.6 to 3.8           | Brass    | —          | 3.2                   | 11.5 | 15.3 | 4.8 | 7.5 | 0.5         | 7,500              |
| SRF-51T-3    |            |                 |          |                      |          | Tin-plated |                       |      |      |     |     |             |                    |
| SRF-51-3.7   |            |                 |          |                      |          | —          |                       |      |      |     |     |             |                    |
| SRF-51T-3.7  |            |                 |          |                      |          | Tin-plated |                       |      |      |     |     |             |                    |
| SRF-51-4     |            |                 |          |                      |          | —          |                       |      |      |     |     |             |                    |
| SRF-51T-4    |            |                 |          |                      |          | Tin-plated |                       |      |      |     |     |             |                    |
| SRF-51-H5    | —          |                 |          |                      |          |            |                       |      |      |     |     |             |                    |
| SRF-51T-H5   | Tin-plated |                 |          |                      |          |            |                       |      |      |     |     |             |                    |

RoHS compliance

# RING TONGUE TERMINAL

Without insulation grip



UL Listed E42024

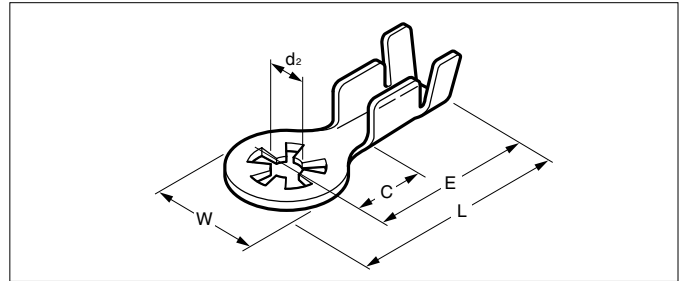
SF Certified LR20812

| Model No.    | Standard   | Applicable wire |          | Material | Finish     | Dimensions(mm)        |      |      |     |     |                    | Qty / reel |
|--------------|------------|-----------------|----------|----------|------------|-----------------------|------|------|-----|-----|--------------------|------------|
|              |            | mm <sup>2</sup> | AWG #    |          |            | d <sub>2</sub> (dia.) | E    | L    | C   | W   | Material thickness |            |
| SRA-20-2.5   | UL SF      | 0.3 to 0.75     | 22 to 18 | Brass    | —          | 2.5                   | 7.5  | 9.8  | 4.2 | 4.6 | 0.4                | 15,000     |
| SRA-20T-2.5  |            |                 |          |          | Tin-plated |                       |      |      |     |     |                    |            |
| SRA-20-3.2   |            |                 |          |          | —          |                       |      |      |     |     |                    |            |
| SRA-20T-3.2  |            |                 |          |          | Tin-plated | 3.2                   |      |      |     |     |                    |            |
| SRA-50-3     | UL SF      | 0.5 to 2.0      | 20 to 14 | Brass    | —          | 3.2                   | 8.7  | 12.5 | 4.7 | 7.5 | 0.5                | 10,000     |
| SRA-50T-3    |            |                 |          |          | Tin-plated |                       |      |      |     |     |                    |            |
| SRA-50-3.7   |            |                 |          |          | —          |                       |      |      |     |     |                    |            |
| SRA-50T-3.7  |            |                 |          |          | Tin-plated | 3.7                   |      |      |     |     |                    |            |
| SRA-50-4     |            |                 |          |          | —          |                       |      |      |     |     |                    |            |
| SRA-50T-4    | Tin-plated | 4.3             |          |          |            |                       |      |      |     |     |                    |            |
| SRA-50-H5    |            |                 |          |          | —          | 5.1                   |      |      |     |     |                    |            |
| SRA-50T-H5   |            |                 |          |          | Tin-plated |                       |      |      |     |     |                    |            |
| SRB-50-3     | UL SF      | 0.5 to 2.0      | 20 to 14 | Brass    | —          | 3.2                   | 12.7 | 17.0 | 7.7 | 8.5 | 0.5                | 7,500      |
| SRB-50T-3    |            |                 |          |          | Tin-plated |                       |      |      |     |     |                    |            |
| SRB-50-3.7   |            |                 |          |          | —          |                       |      |      |     |     |                    |            |
| SRB-50T-3.7  |            |                 |          |          | Tin-plated | 3.7                   |      |      |     |     |                    |            |
| SRB-50-4     |            |                 |          |          | —          |                       |      |      |     |     |                    |            |
| SRB-50T-4    |            |                 |          |          | Tin-plated | 4.3                   |      |      |     |     |                    |            |
| SRB-50-H5    |            |                 |          |          | —          |                       |      |      |     |     |                    |            |
| SRB-50T-H5   | Tin-plated | 5.1             |          |          |            |                       |      |      |     |     |                    |            |
| SRB-50-5     |            |                 |          |          | —          | 5.3                   |      |      |     |     |                    |            |
| SRB-50T-5    |            |                 |          |          | Tin-plated |                       |      |      |     |     |                    |            |
| SRC-50-M3    | UL SF      | 0.5 to 2.0      | 20 to 14 | Brass    | —          | 3.2                   | 10.0 | 13.3 | 6.7 | 6.5 | 0.5                | 15,000     |
| SRC-50T-M3   |            |                 |          |          | Tin-plated |                       |      |      |     |     |                    |            |
| SRC-50-M3.5  |            |                 |          |          | —          |                       |      |      |     |     |                    |            |
| SRC-50T-M3.5 |            |                 |          |          | Tin-plated | 3.7                   |      |      |     |     |                    |            |
| SRC-50-M4    |            |                 |          |          | —          | 4.3                   |      |      |     |     |                    |            |
| SRC-50T-M4   |            |                 |          |          | Tin-plated |                       |      |      |     |     |                    |            |
| SRD-20-3.7   | UL SF      | 0.3 to 0.75     | 22 to 18 | Brass    | —          | 3.7                   | 8.7  | 12.5 | 4.7 | 7.5 | 0.5                | 15,000     |
| SRD-20T-3.7  |            |                 |          |          | Tin-plated |                       |      |      |     |     |                    |            |
| SRD-20-4     |            |                 |          |          | —          |                       |      |      |     |     |                    |            |
| SRD-20T-4    |            |                 |          |          | Tin-plated | 4.3                   |      |      |     |     |                    |            |

RoHS compliance

# RING TONGUE TERMINAL

With toothed lock



Recognized E42024

Certified LR20812

| Model No.     | Standard | Applicable wire |          |                      | Material | Finish     | Dimensions(mm)        |      |      |     |     | Q'ty / reel |                    |
|---------------|----------|-----------------|----------|----------------------|----------|------------|-----------------------|------|------|-----|-----|-------------|--------------------|
|               |          | mm <sup>2</sup> | AWG #    | Insulation O.D. (mm) |          |            | d <sub>2</sub> (dia.) | E    | L    | C   | W   |             | Material thickness |
| SRT-51T-3(FE) |          | 0.5 to 1.25     | 20 to 16 | 1.7 to 3.4           | Iron     | Tin-plated | 3.1                   | 12.2 | 16.8 | 6.1 | 9.2 | 0.5         | 5,000              |
| SRT-51T-4(FE) |          |                 |          |                      |          |            | 4.1                   |      |      |     |     |             |                    |

RoHS compliance

## Crimping machine, Applicator

| Contact      | Crimping machine | Applicator       |           |                            |
|--------------|------------------|------------------|-----------|----------------------------|
|              |                  | Crimp applicator | Dies      | Crimp applicator with dies |
| SRA-01(T)-** | AP-K2N           | MK-L             | MK/SRA-01 | APLMK SRA01                |
|              |                  | -                | -         | -                          |
| SRA-20(T)-** |                  | MK-L             | MK/SRA-20 | APLMK SRA20                |
|              |                  | -                | -         | -                          |
| SRA-21(T)-** |                  | MK-L             | MK/SRA-21 | APLMK SRA21                |
|              |                  | -                | -         | -                          |
| SRA-50(T)-** |                  | MK-L             | MK/SRA-50 | APLMK SRA50                |
|              |                  | -                | -         | -                          |
| SRA-51(T)-** |                  | MK-L             | MK/SRA-51 | APLMK SRA51                |
|              |                  | -                | -         | -                          |
| SRB-50(T)-** |                  | MK-L             | MK/SRB-50 | APLMK SRB50                |
|              |                  | -                | -         | -                          |
| SRB-51(T)-** |                  | MK-L             | MK/SRB-51 | APLMK SRB51                |
|              |                  | -                | -         | -                          |

| Contact      | Crimping machine | Applicator       |           |                            |
|--------------|------------------|------------------|-----------|----------------------------|
|              |                  | Crimp applicator | Dies      | Crimp applicator with dies |
| SRC-01(T)-** | AP-K2N           | MK-L             | MK/SRC-01 | APLMK SRC01                |
|              |                  | -                | -         | -                          |
| SRC-50(T)-** |                  | MK-L             | MK/SRC-50 | APLMK SRC50                |
|              |                  | -                | -         | -                          |
| SRC-51(T)-** |                  | MK-L             | MK/SRC-51 | APLMK SRC51                |
|              |                  | -                | -         | -                          |
| SRD-20(T)-** |                  | MK-L             | MK/SRD-20 | APLMK SRD20                |
|              |                  | -                | -         | -                          |
| SRF-51(T)-** |                  | MK-L             | MK/SRF-51 | APLMK SRF51                |
|              |                  | -                | -         | -                          |
| SRT-51T-**   |                  | MK-L             | MK/SRT-51 | APLMK SRT51                |
|              |                  | -                | -         | -                          |

\* Compliant with RoHS.

\* Refer to "General Instruction and Notice when using Terminals and Connectors" at the end of this catalog.

\* Contact JST for details.