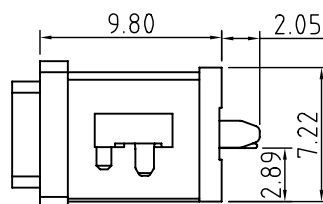
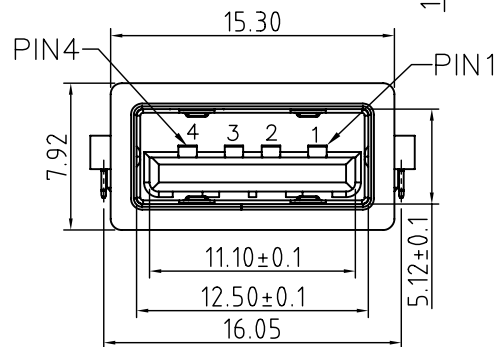


PIN ASSIGNMENT

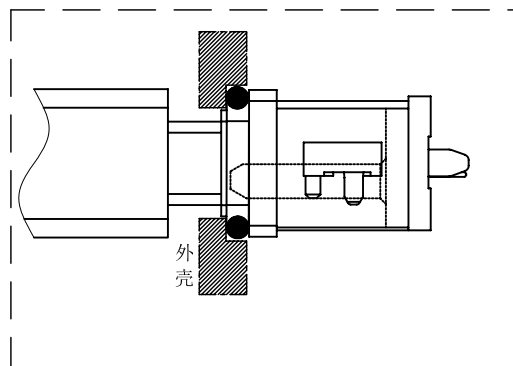
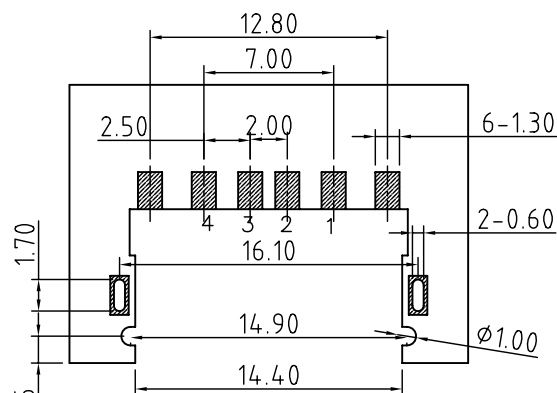
PIN NO.	1	2	3	4
SIGNAL NAME	VBUS	D-	D+	GND



NOTES:

SPECIFICATION:

- CURRENT RATING: 3.0A MAX
- DIELECTRIC WITHSTAND VOLTAGE: 100VAC
- TEMPERATURE RANGE: -30 °C ~ 85 °C
- CONTACT RESISTANCE: 40 MILLIONHM MAX
- INSULATION RESISTANCE: 100 MEGOHMS MIN.
- INSERTION FORCE :8N~35N
- UNMATING FORCE: 8N~35N
- DURABILITY:1500 CYCLES



3	Shell	1	SUS 301 1/4H
3	PLASTIC Shell	1	PA9T&LCP (G.F30%)
2	Contact	4	BRASS C2680-EH Au/Ni Plating T=0.25mm
1	Housing	1	PA10T (G.F30%)
ITEM	PART NAME	Q' TY	FINISH



深圳市华宇创精密电子有限公司

TOLERANCE: X.X ±0.30 X.XX ±0.25 X.XXX ±0.15 X' ±2' X.X' ±0.5'	DRAWN BY : 陈一鸣	DATE : 2014-02-23	PART NAME: USB 2.0 AF 防水沉板SMT 带防水胶圈
	CHECKED BY: 马跃	DATE : 2014-02-23	PART NO. : HYCW236-USBA04-289B
 UNIT: mm [inch] SCALE:1:1 SIZE: A4	APPROVED BY: 邱敏	DATE : 2014-02-23	MOLD NO. : /
			DRAW NO. : HYC-USB2105151059
			SHEET NO. : 1 OF 1