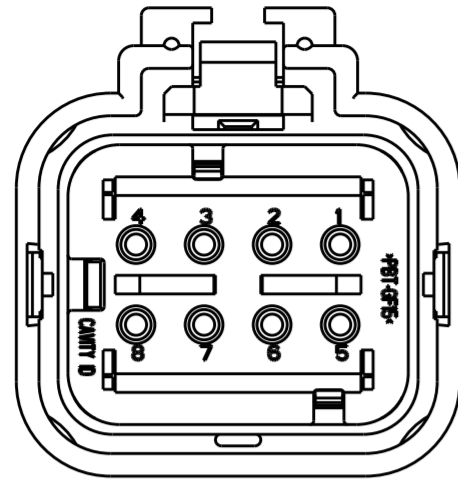
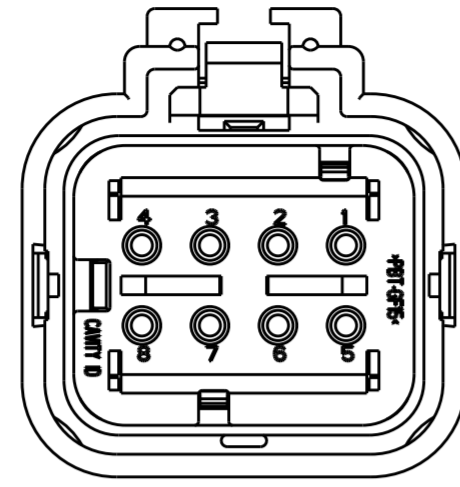


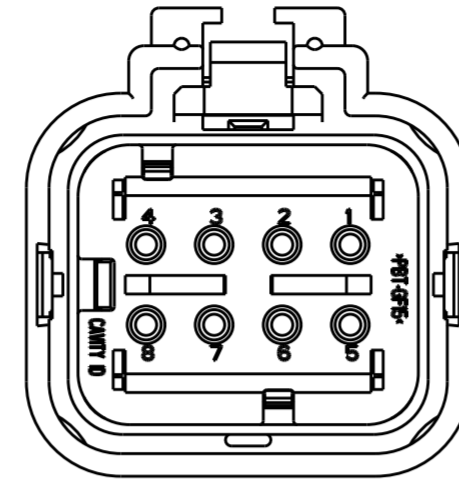
REVISIONS					
P	LTR	DESCRIPTION	DATE	DWN	APVD
	D1	REVISED PER ECO -11-005294	30APR2011	RK	HMR
	E	REVISED PER ECO -13-019231	09DEC2013	DR	RB



776494-2
SCALE 2:1

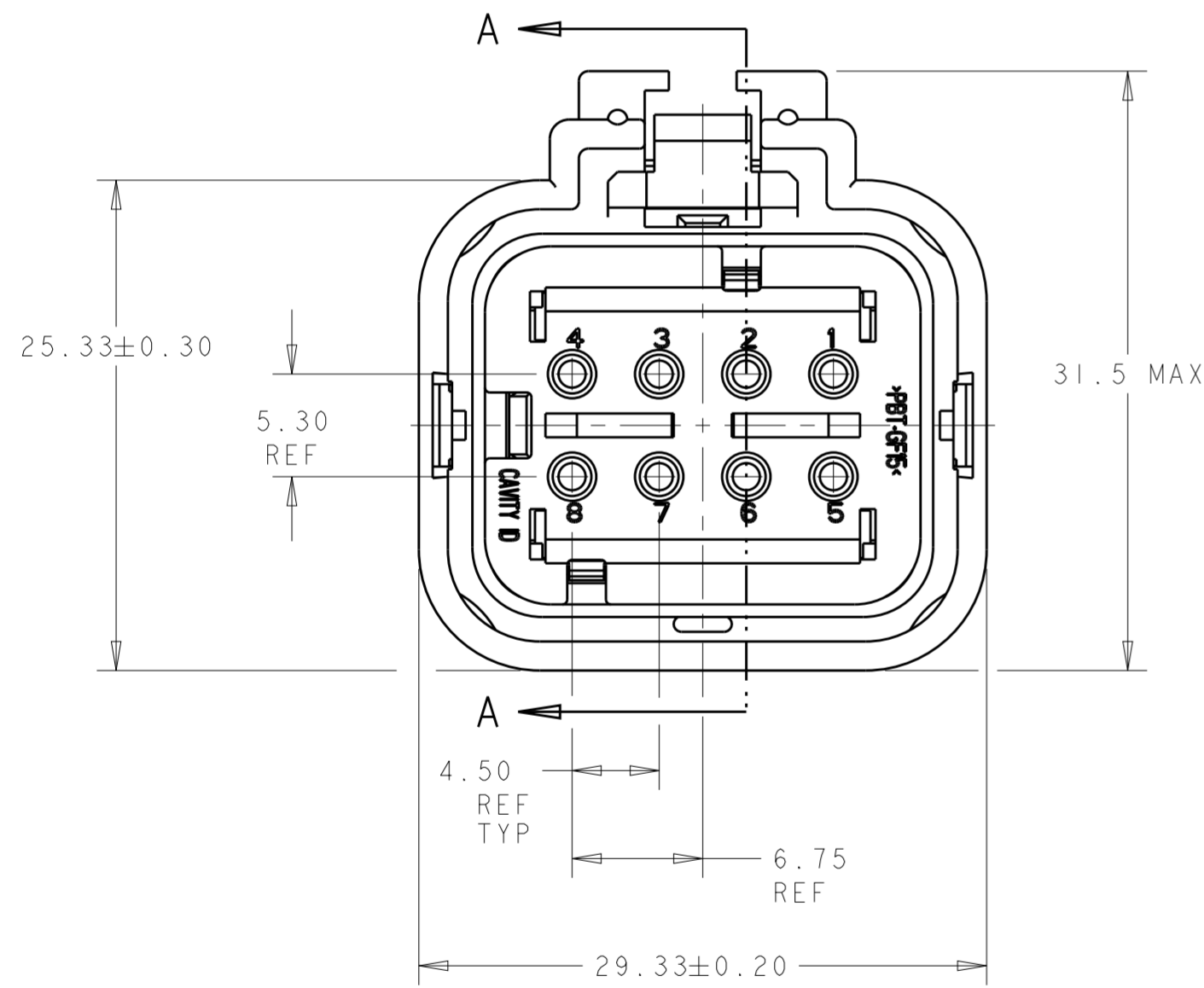


776494-3
SCALE 2:1

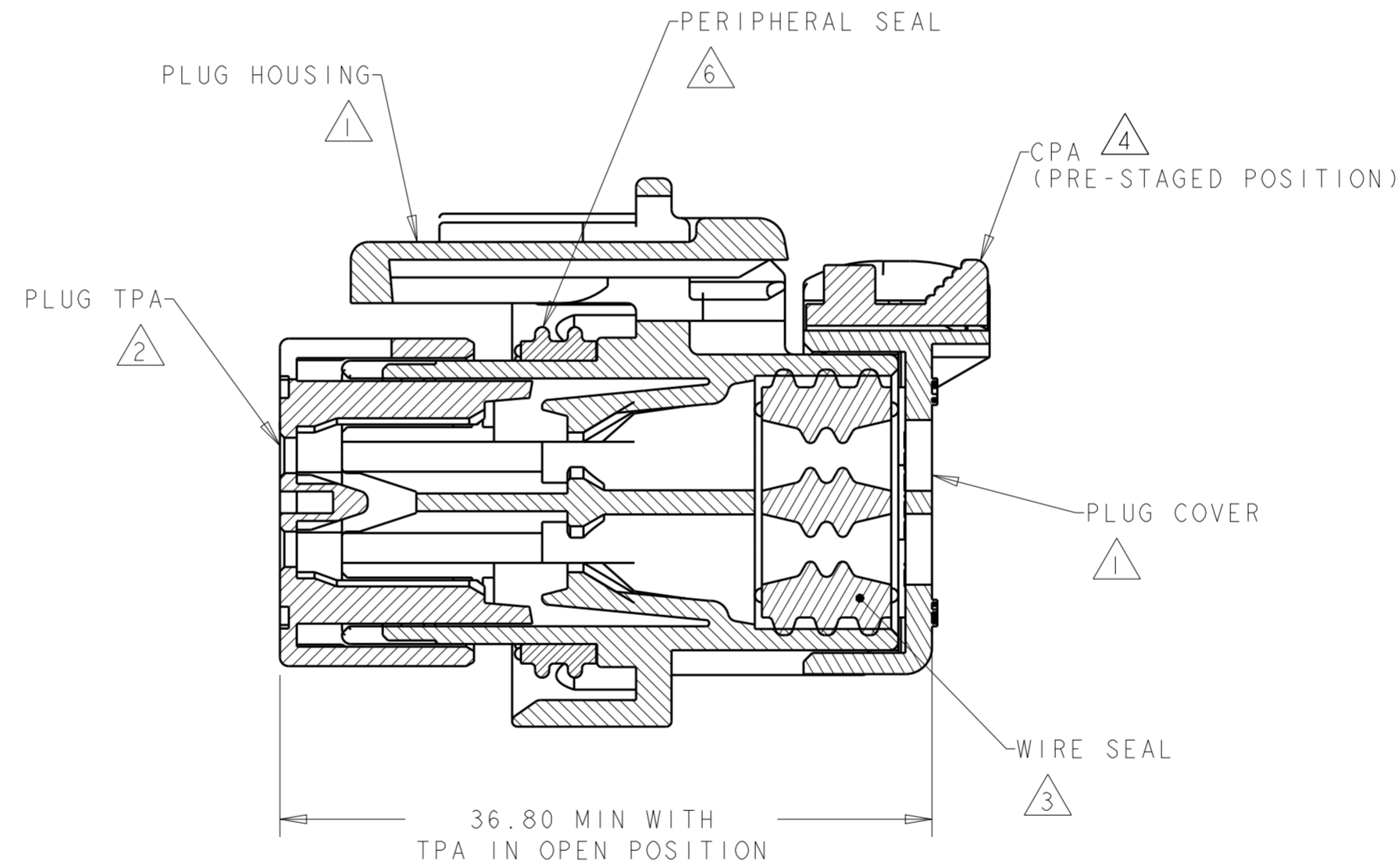


776494-4
SCALE 2:1

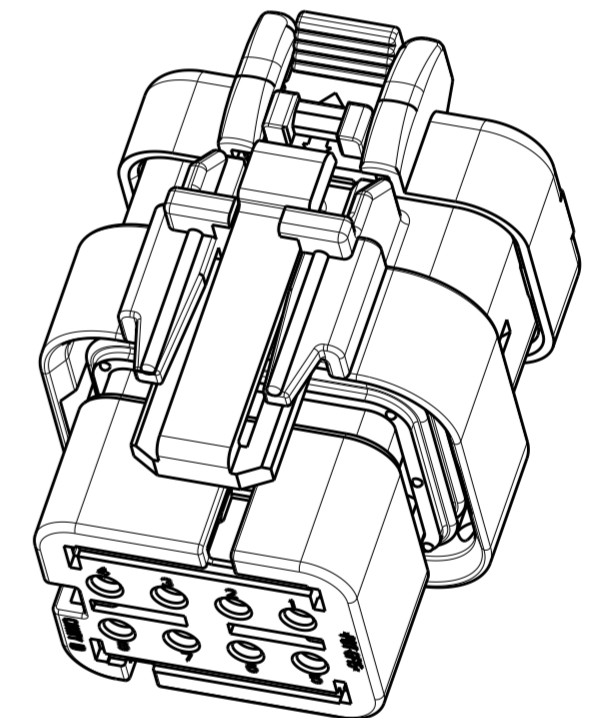
- 1 MATERIAL: 15% GLASS FILLED THERMOPLASTIC
COLOR: BLACK
- 2 MATERIAL: 15% GLASS FILLED THERMOPLASTIC
COLOR: (SEE TABLE)
- 3 MATERIAL: SILICONE
COLOR: GREEN
- 4 MATERIAL: 15% GLASS FILLED THERMOPLASTIC
COLOR: RED
- 5. RECOMMENDED WIRE DIAMETER RANGE IS 2.18 TO 3.67mm.
- 6 MATERIAL: SILICONE
COLOR: TAN



776494-1 SHOWN



SECTION A-A



SCALE 2:1

GREEN	776494-4
YELLOW	776494-3
GRAY	776494-2
RED	776494-1
TPA COLOR	PART NUMBER

THIS DRAWING IS A CONTROLLED DOCUMENT.		DWN B. SIMPSON 05NOV2002	TE Connectivity		
DIMENSIONS: mm		CHK D. KLEIN 05NOV2002			
TOLERANCES UNLESS OTHERWISE SPECIFIED:		APVD D. KLEIN 05NOV2002	NAME PLUG ASSEMBLY, 8 POSITION, DUAL ROW, AMPSEAL 16		
0 PLC ±		PRODUCT SPEC 108-2184	SIZE A2	CAGE CODE -	DRAWING NO G-776494
1 PLC ±		APPLICATION SPEC 114-13065	SCALE 3:1	SHEET 1	REV E
2 PLC ±		WEIGHT 16±1g	RESTRICTED TO		
3 PLC ±		Customer Drawing			
4 PLC ±					
ANGLES ±					
FINISH -					