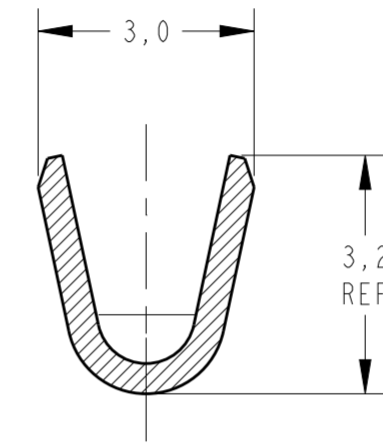
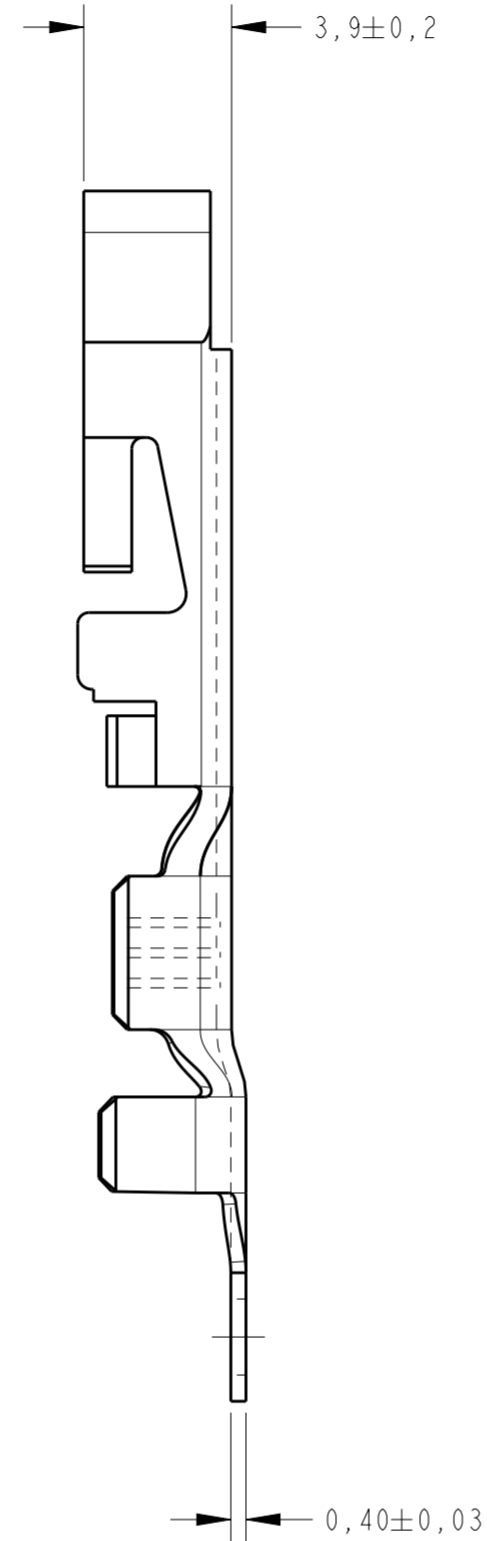
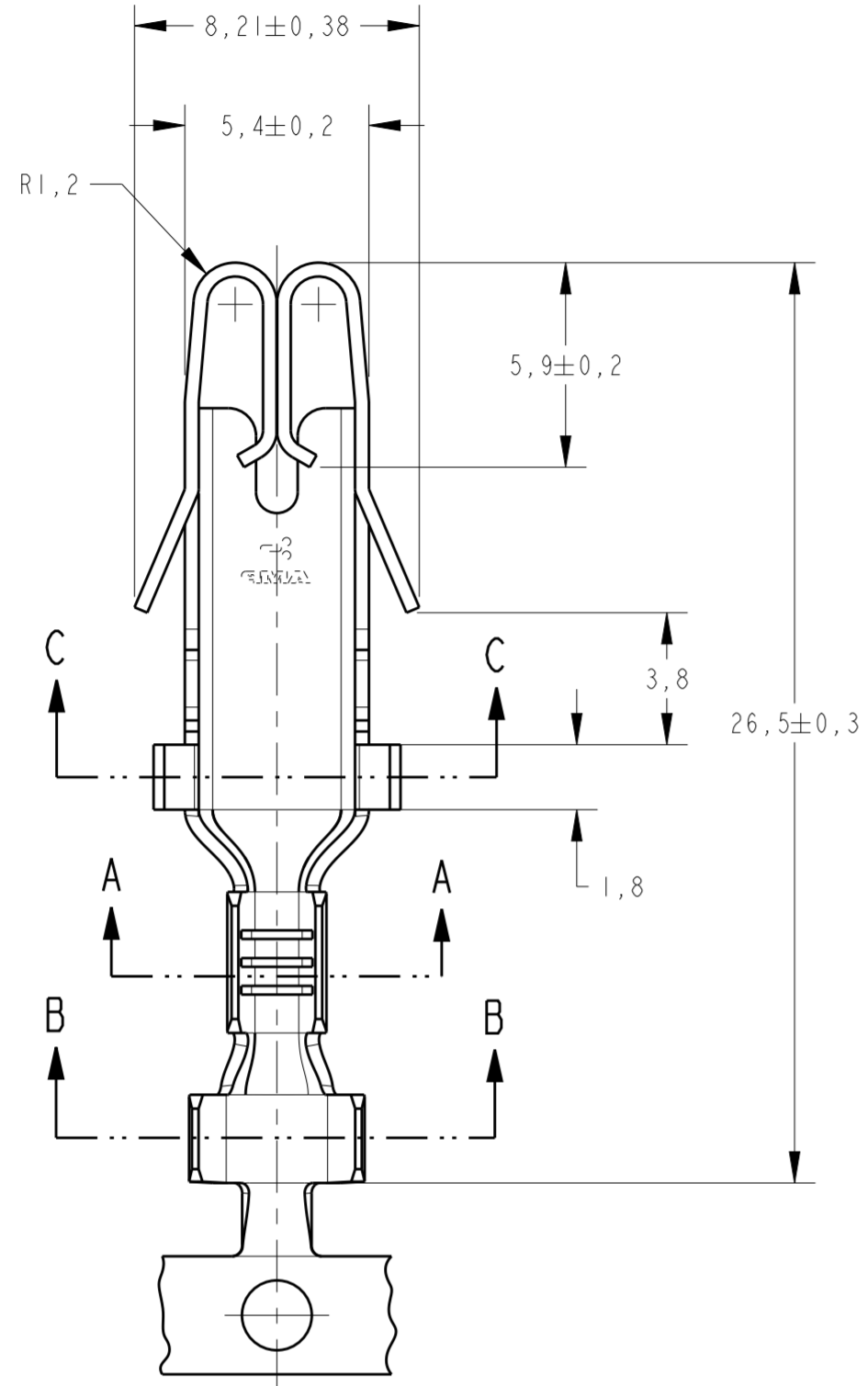


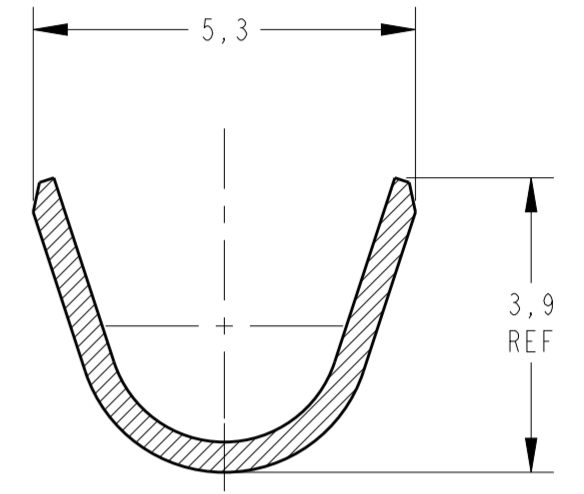
THIS DRAWING IS UNPUBLISHED. RELEASED FOR PUBLICATION 20
 © COPYRIGHT 20 BY - ALL RIGHTS RESERVED.

creo
 Creo Parametric 2.0
DO NOT REVISE
EXCEPT BY CAD

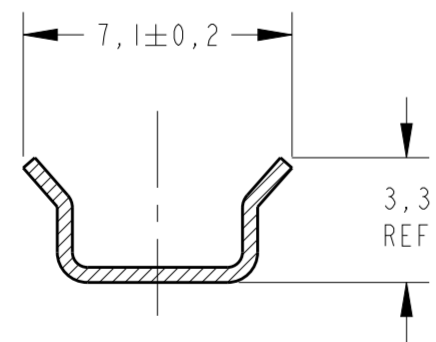
REVISIONS					
P	LTR	DESCRIPTION	DATE	DWN	APVD
	M	REDRAW BY CAD ECO-14-013531	05SEP2014	NCL	LWP



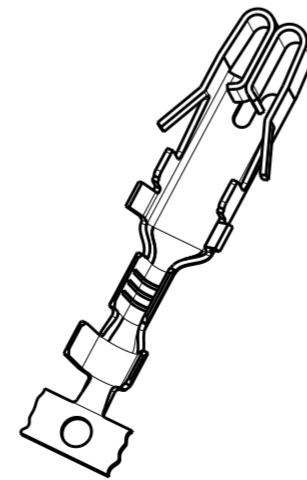
SECTION A-A
SCALE 10:1



SECTION B-B
SCALE 10:1



SECTION C-C



PERSPECTIVE VIEW
SCALE 2:1

WIRE RANGE
0,5-1,5mm²
 INSUL. RANGE
Ø 2,0-3,0mm

OBSOLETE

PRE-ESTANHADO / PRE TINNED	LATÃO / BRASS	880397-2
	LATÃO / BRASS	880397-1
FINISH	MATERIAL	PART NUMBER

THIS DRAWING IS A CONTROLLED DOCUMENT.		DWN NCLAPRESA 08SEP2014	TE Connectivity	
DIMENSIONS: mm		CHK ECHRISTIANO 08SEP2014		
		APVD LWPRADO 08SEP2014		
TOLERANCES UNLESS OTHERWISE SPECIFIED:		PRODUCT SPEC	NAME	
0 PLC ±	±0,5	-	- FUSE CONTACT	
1 PLC ±	±	-	-	
2 PLC ±	±	-	-	
3 PLC ±	±	-	-	
4 PLC ±	±	-	-	
ANGLES ±°	±°	-	SIZE	CAGE CODE
FINISH	-	-	A2	00779
MATERIAL	SEE TABLE	SEE TABLE	DRAWING NO	RESTRICTED TO
-	-	-	©-880397	-
Customer Drawing			SCALE 2:1	SHEET 5:1 OF 1
			REV M	