

Note:

1.Material:

- 1.1 Housing: LCP
- 1.2 Contact:C5191,t=0.20mm
- 1.3 Shell: Zinc Alloy.

2.ELECTRICAL:

2-1:CURRENT RATING:

VBUS AND GND CONTACTS RATED AT 1.25A PARALLELED FOR A TOTAL OF 5A;

2-2:INITIAL CONTACT RESISTANCE :40 MEGOHMS

2-3:DIELECTRIC WITHSTANDING VOLTAGE: 100V AC MIN;

3:MECHANICAL CHARACTERISTICS:

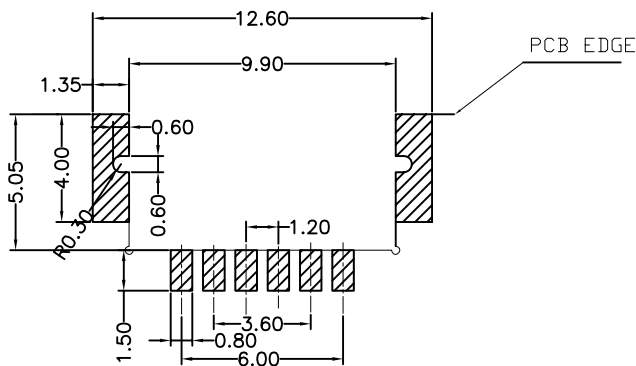
3-1:MATING FORCE:5~20N

3-2:UNMATING FORCE:8~20N(INITIAL), 6~20N(AFTER 10000 CYCLES)

3-3:FREQUENCY: 200±50 CYCLES /HOUR,10000 CYCLES

3-4:OPERATING TEMPERATURE ;-40°~80°.

4: WATERPROOF: IP-X7.



PCB LAYOUT 图仅供参考

TABLE B

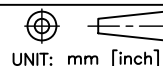
A5	CC1	B12	GND
A9	VBUS	B9	VBUS
A12	GND	B5	CC2
PIN	SIGNAL NAME	PIN	SIGNAL NAME



深圳市华宇创精密电子有限公司

TOLERANCE:

X.X ±0.30
X.XX ±0.25
X.XXX ±0.15
X: ±2° X.X° ±0.5°



SCALE:1:1 SIZE: A4

DRAWN BY :

陈一鸣

DATE :

2014-02-23

PART NAME:

防水USB TYPE C 6P 沉板0.8

CHECKED BY:

马跃

DATE :

2014-02-23

APPROVED BY:

邱敏

DATE :

2014-02-23

PART NO.

HWCW245-USBC06-080B

MOLD NO.

DRAW NO:

HYC-USB2103091955

SHEET NO.

1 OF 1