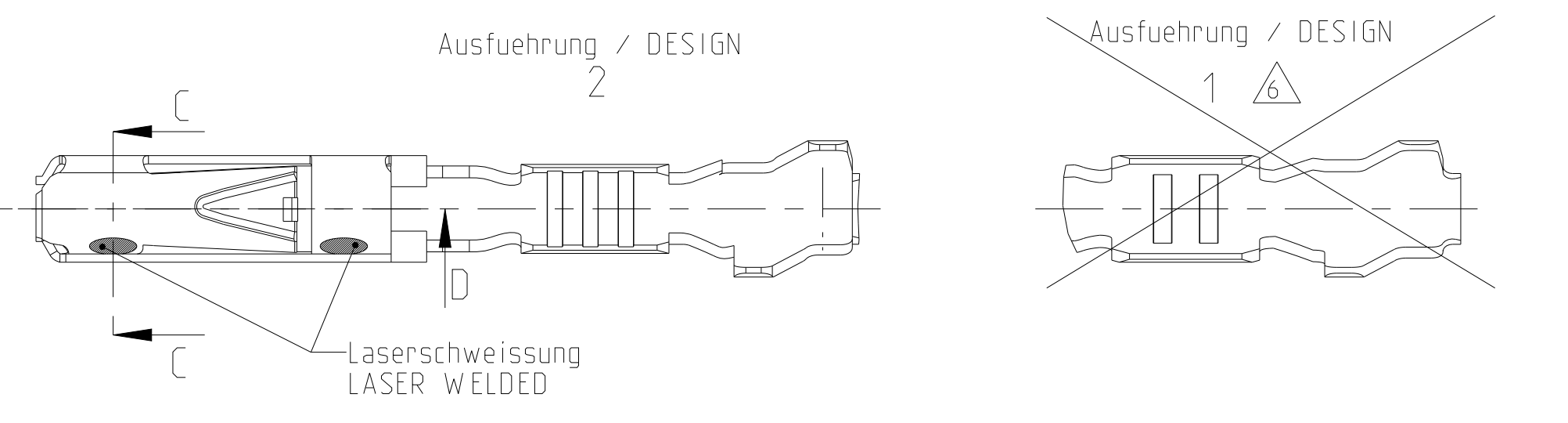
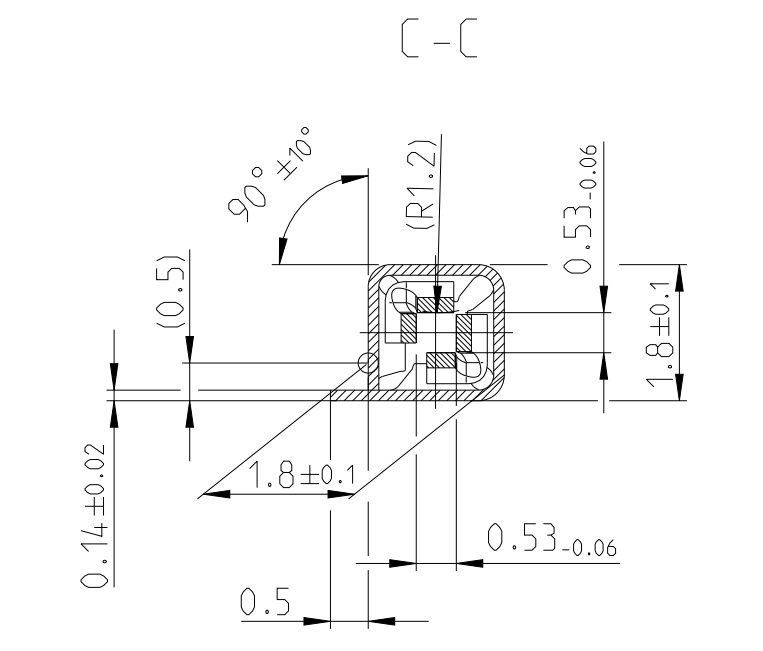
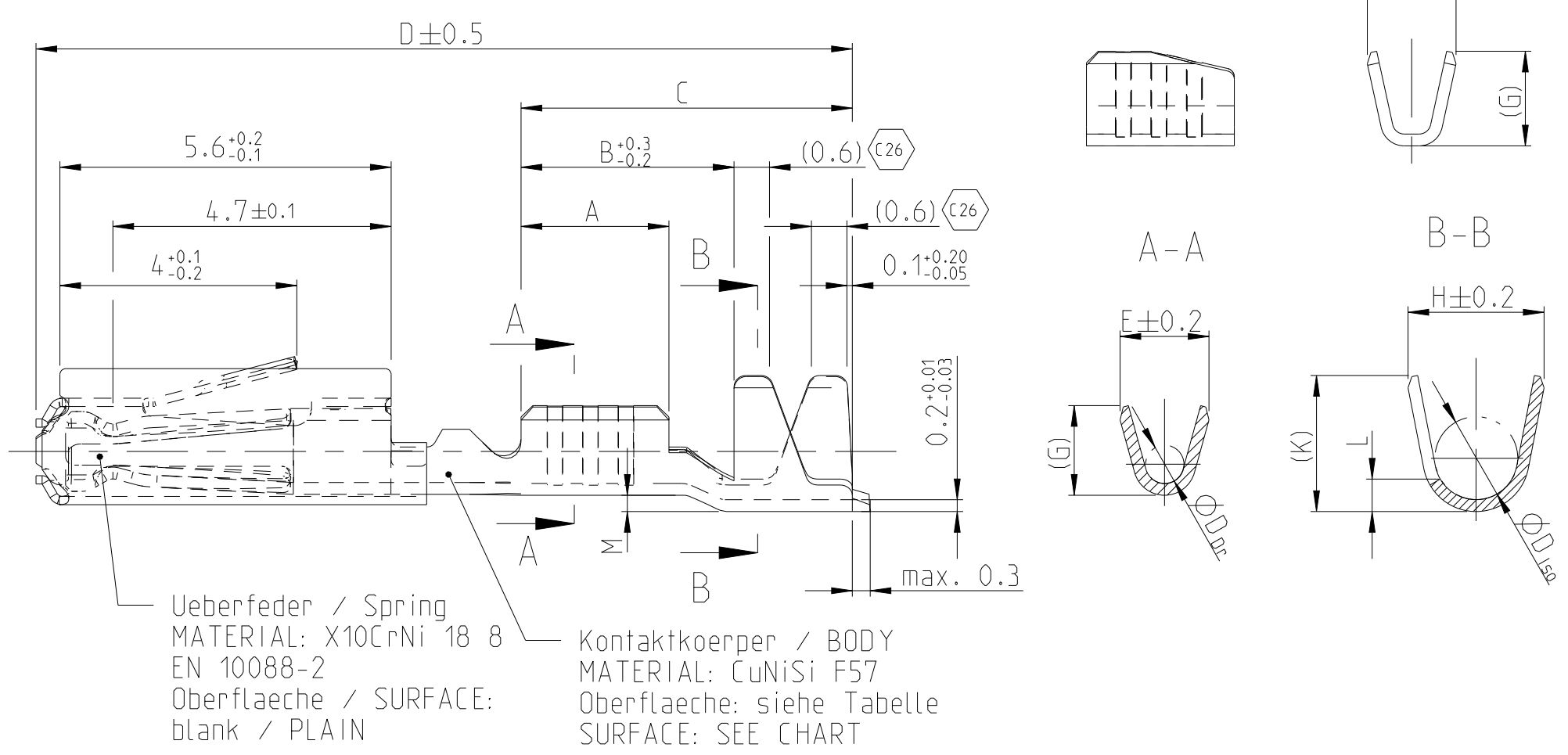
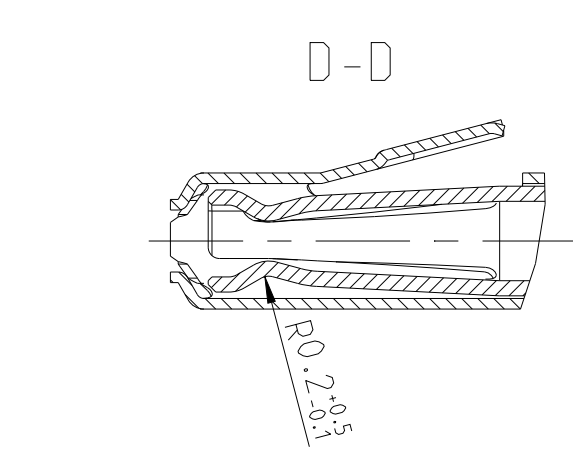
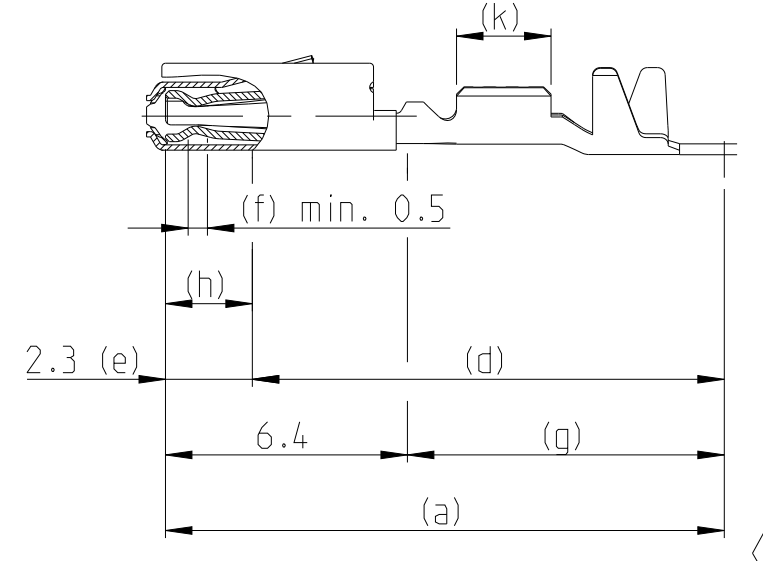


Normale Anwendung USUAL APPLICATION



Oberflaeche / FINISH

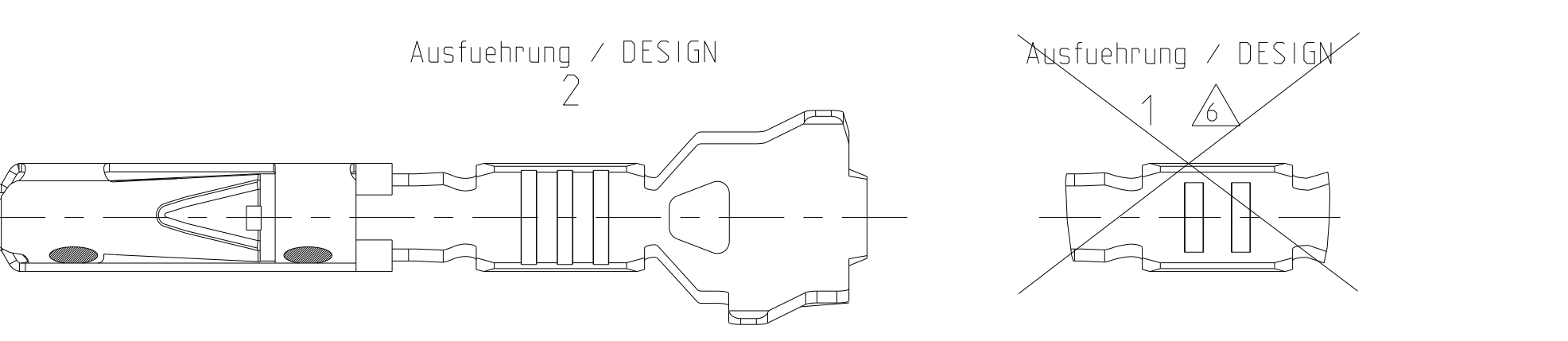
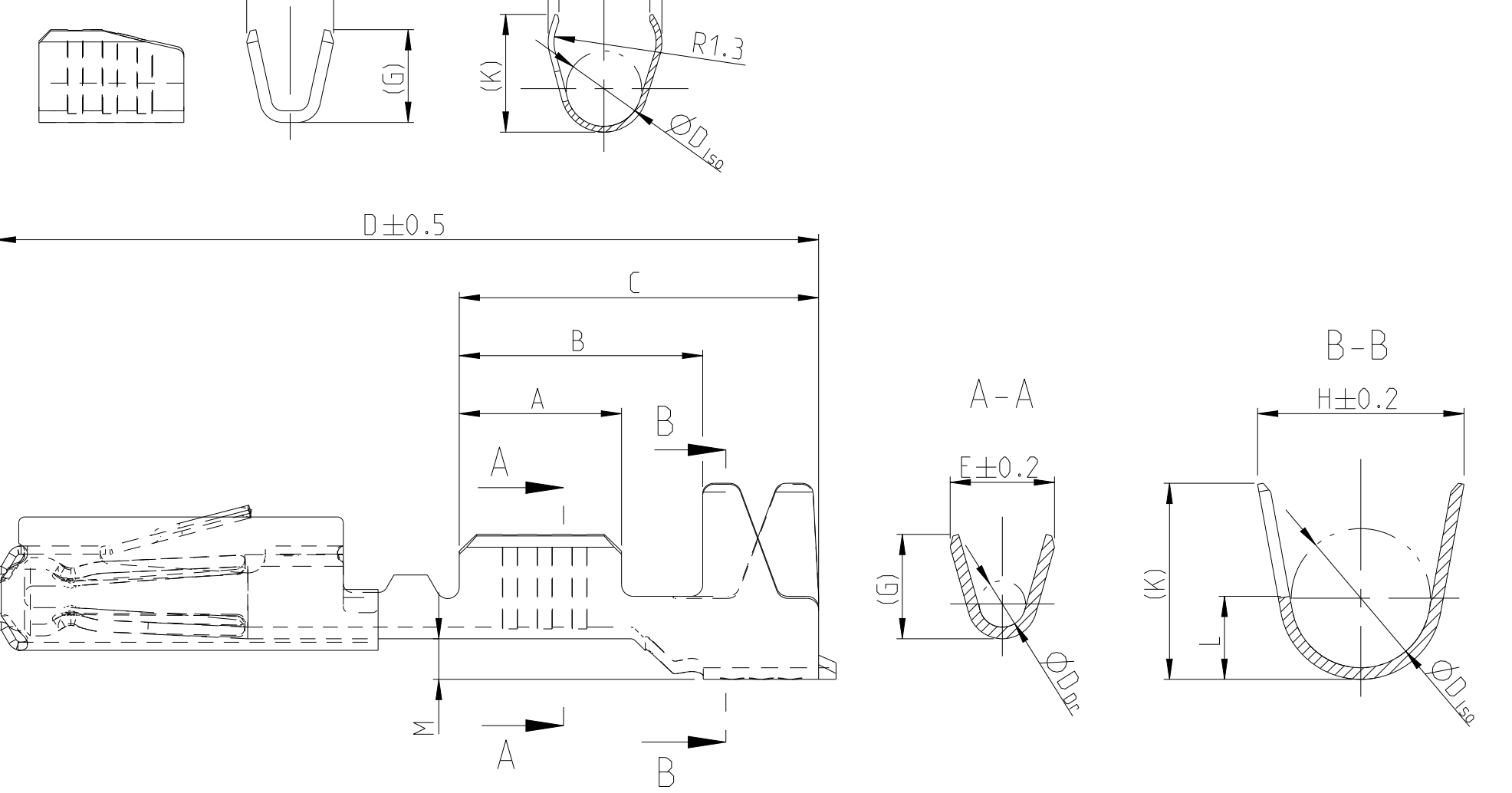


Sn: verzinnete Ausfuehrung
TINNED
(a) Kontaktkoerper: 0.8 - 2 µm Sn
BODY: 0.8 - 2 µm Sn

Ag: versilbert
SILVER
(e) min. 0.3 µm Ag
(f) min. 2.8 µm Ag INSIDE
min. 2.8 µm Ag innen
(g) min. 0.2 µm Sn
(k) min. 0.8 - 2 µm Sn

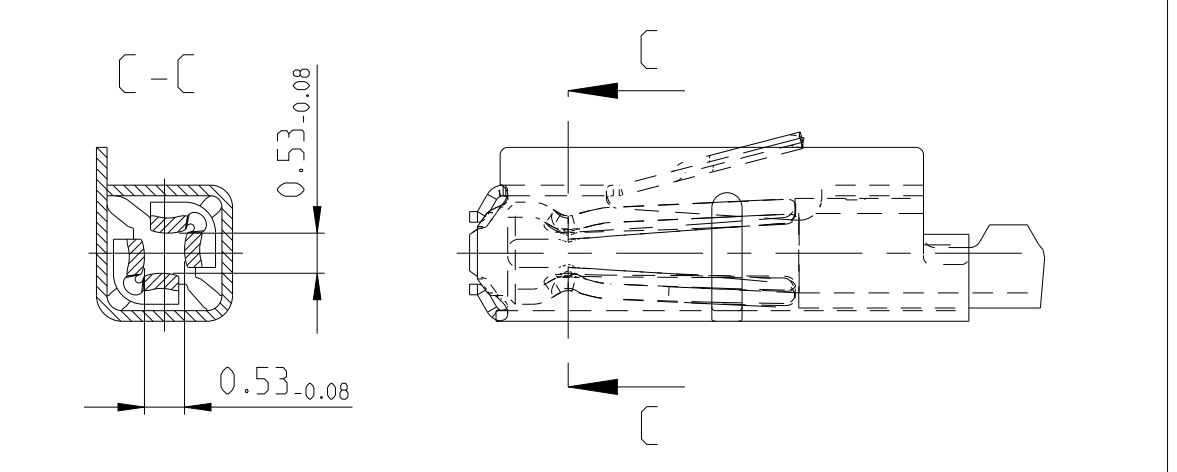
Au (galvanisch): galvanisch vergoldet
GOLD-ELECTROPLATED
(d) 0.05-1 µm Ni, beidseitig
0.05-1 µm Ni, ON BOTH SIDES
(e) 1-3 µm Ni, beidseitig
1-3 µm Ni, ON BOTH SIDES
(f) min. 1.8 µm Au ueber (e), innen
MIN. 1.8 µm Au OVER (e), INSIDE
(g) min. 0.2 µm Sn ueber (d), beidseitig
MIN. 0.2 µm Sn OVER (d), ON BOTH SIDES
(h) Au galvanisch auflaufend
Au OVERPLATING
(k) min. 0.8 - 2.0 µm Sn

Ausfuehrung / DESIGN 3 Einzeldichtungssystem SINGLE WIRE SEAL SYSTEM

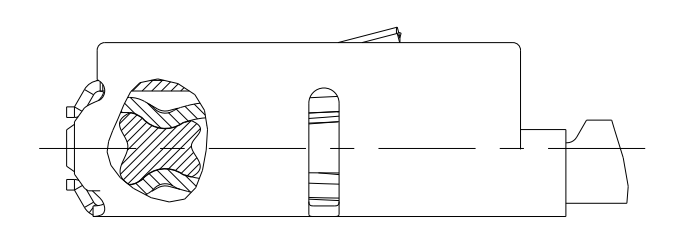


REV	DATE	BY	CHK	DESCRIPTION
C23	30APR2019	FRAN	BERG	Definition of measurement point f. contact height
C24	09DEC2019	MAH.	BERG	See PCN E-19-011079
C25	28AUG2020	MAH.	BERG	See PCN E-20-001102
C26	20AUG2021	FRAN	BERG	See PCN E-20-016678 and PCN-21-110979

versilberte/vergoldete Ausfuehrung SILVER/GOLD VERSION



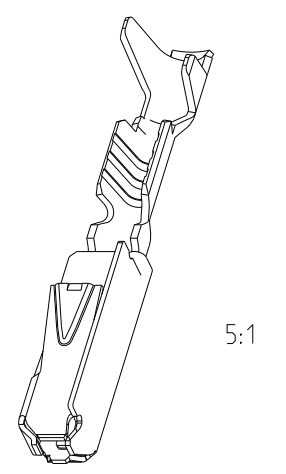
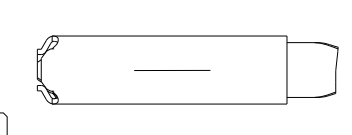
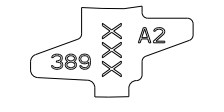
GEL VERSION



Bemerkungen

- Datumscode (Woche/Jahr z.B. KW 38/Jahr2009) und TE-Revision (z.B. Rev.A) DATE CODE (WEEK/YEAR E.G. WEEK NUMBER 38/YEAR2009) AND TE REVISION (E.G. REV. A)
- Passend zu Stiftkontakt siehe Zeichnung 929453 SUITABLE FOR PIN CONTACT SEE DRAWING 929453
- Einzelheiten der Ausfuehrung bleiben dem Hersteller ueberlassen DETAILS OF DESIGN ARE LEFT TO MANUFACTURER
- Nur fuer FLR-Leitung nach DIN 72551 Teil 6 FOR FLR-CONDUCTOR ACCORDING TO DIN 72551-6 ONLY
-
- nicht fuer Neuanwendung NOT FOR NEW APPLICATION
- zugverstaerkte Leitung nach LV 112-4 REINFORCED WIRE ACCORDING LV 112-4
- Bei doppelt fallenden Werkzeugen wird die erste Ueberfeder mit einer Kennzeichnung "-" versehen WITH DOUBLE OUT DIES THE FIRST SPRING WILL BE PROVIDED WITH AN INDICATION "-"
- Varianten von Design1 werden durch die entsprechenden Versionen von Design2 ersetzt VARIANTS OF DESIGN1 ARE SUPERSEDED BY CORRESPONDING VERSIONS OF DESIGN2

Bestell-Nr. Ausfuehrung ORDER NO. DESIGN 2	Bestell-Nr. Ausfuehrung ORDER NO. DESIGN 3	Rev.	Bestell-Nr. Ausfuehrung ORDER NO. DESIGN 1	Rev.	VERSION	DGB Wire Size Range mm ²	Oberflaeche SURFACE	Laenge LENGTH mm	Drahtcrimp WIRE CRIMP mm	Iso-crimp INSU-CRIMP mm	Gewicht WEIGHT g	Vergaehrung Spez. APPLICATION SPEC.	DGB Wire Size Range mm ²	Isolations Ø INSULATIN DIA. mm	fuer Kammer Ø3.45 FOR CAVITY DIA. 3.45 mm	Blindstopfen RUBBER PLUG	fuer Kammer Ø4 FOR CAVITY DIA. 4 mm	Blindstopfen RUBBER PLUG	zugehoerige Einzeldichtung / SUITABLE SINGLE WIRE SEAL
6-965906-5	E	1-965906-5	D	0.50-0.75	Au-Gel	A = 2.8 B = 4.2 C = 6.2 D = 14.3 M = 0.7	E = 2 G = 2.1 D _{Dr} = 1	H = 3.5 K = 3.4 L = 1.5 D ₁₅₀ = 2.4	0.13	114-18025	0.75	1.4-1.9	967067-1 gruen GREEN	963142-1 schwarz BLACK	967056-1 blau / BLUE	963142-2 grau GREY	967056-1 blau / BLUE		
5-965906-6	D	965906-6	C	0.25-0.35	Ag	A = 2.5 B = 3.9 C = 5.9 D = 14 M = 0.7	E = 1.8 G = 1.8 D _{Dr} = 0.8	H = 3.5 K = 3.4 L = 1.5 D ₁₅₀ = 2.4	0.13	114-18025	0.35	0.9-1.4	967067-2 gelb YELLOW	963142-2 grau GREY	967056-1 blau / BLUE	963142-2 grau GREY	967056-1 blau / BLUE		
5-965906-5	E	965906-5	D	0.13 / 0.17	Ag	A = 2.5 B = 4.3 C = 6.2 D = 14.2 M = 0.6	E = 1.5 G = 1.4	H = 4 K = 3.9 L = 3.1 D ₁₅₀ = 2.6	0.1	114-18025	0.13	0.85-1.25	967067-2 gelb YELLOW	963142-2 grau GREY	967056-1 blau / BLUE	963142-2 grau GREY	967056-1 blau / BLUE		
5-965906-1	D	965906-1	C	0.50-0.75	Au-Gel	A = 2.8 B = 3.8 C = 5.6 D = 13.7 M = 0.2	E = 2 G = 2.1 D _{Dr} = 1	H = 2.7 K = 2.9 L = 0.7 D ₁₅₀ = 1.6	0.11	114-18021	0.50-0.75								
5-962885-6	J	962885-6	H	0.25-0.35	Ag	A = 2.5 B = 3.6 C = 5.6 D = 13.7 M = 0.2	E = 1.8 G = 1.8 D _{Dr} = 0.8	H = 2.3 K = 2.3 L = 0.6 D ₁₅₀ = 1.4	0.11	114-18021	0.25-0.35								
5-962885-5	K	962885-5	J	0.13 / 0.17	Au	A = 2.5 B = 3.7 C = 5.4 D = 13.7 M = 0	E = 1.5 G = 1.4	H = 2 K = 1.9 D ₁₅₀ = 1.1	0.1	114-18021	0.13 / 0.17								
5-962885-1	J	962885-1	H	0.08-0.22	Sn	A = 2.5 B = 3.7 C = 5.4 D = 13.7 M = 0	E = 1.5 G = 1.5 D _{Dr} = 0.65	H = 2 K = 2 D ₁₅₀ = 1.1	0.1	114-18021	0.08-0.22								
2141826-6	A																		
2141826-5	A																		
2141826-1	A																		
6-963715-5	K	1-963715-5	J	0.50-0.75	Au-Gel	A = 2.8 B = 3.8 C = 5.6 D = 13.7 M = 0.2	E = 2 G = 2.1 D _{Dr} = 1	H = 2.7 K = 2.9 L = 0.7 D ₁₅₀ = 1.6	0.11	114-18021	0.50-0.75								
5-963715-6	J	963715-6	H	0.25-0.35	Ag	A = 2.5 B = 3.6 C = 5.6 D = 13.7 M = 0.2	E = 1.8 G = 1.8 D _{Dr} = 0.8	H = 2.3 K = 2.3 L = 0.6 D ₁₅₀ = 1.4	0.11	114-18021	0.25-0.35								
5-963715-5	K	963715-5	J	0.13 / 0.17	Au	A = 2.5 B = 3.7 C = 5.4 D = 13.7 M = 0	E = 1.5 G = 1.4	H = 2 K = 1.9 D ₁₅₀ = 1.1	0.1	114-18021	0.13 / 0.17								
5-963715-1	J	963715-1	H	0.08-0.22	Sn	A = 2.5 B = 3.7 C = 5.4 D = 13.7 M = 0	E = 1.5 G = 1.5 D _{Dr} = 0.65	H = 2 K = 2 D ₁₅₀ = 1.1	0.1	114-18021	0.08-0.22								
6-928999-5	T	1-928999-5	S																
5-928999-6	S	928999-6	R																
5-928999-5	T	928999-5	S																
5-928999-1	S	928999-1	R																
2141824-6	A																		
2141824-5	A																		
2141824-1	A																		
1355717-6	A																		
1355717-5	C																		
1355717-1	C																		



THIS DRAWING IS A CONTROLLED DOCUMENT.		OWN S. Garcia 05JAN1999	TE Connectivity	
DIMENSIONS: mm		CHK M. Bleicher 13AUG2003	NAME MQS	
TOLERANCES UNLESS OTHERWISE SPECIFIED: ±0.2		APVD M. Bleicher 13AUG2003	PRODUCT SPEC	
MATERIAL: -		114-18030	APPLICATION SPEC	
FINISH: -		114-18021 / 114-18025	RESTRICTED TO	
CUSTOMER DRAWING		WEIGHT: -	SIZE: A1	SCALE: 10:1
		CAGE CODE: 00779	DRAWING NO: 929454	SHEET: 1 of 1
			REV: C26	