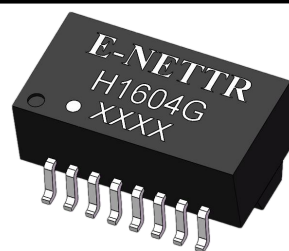


**P/N: H1604G**

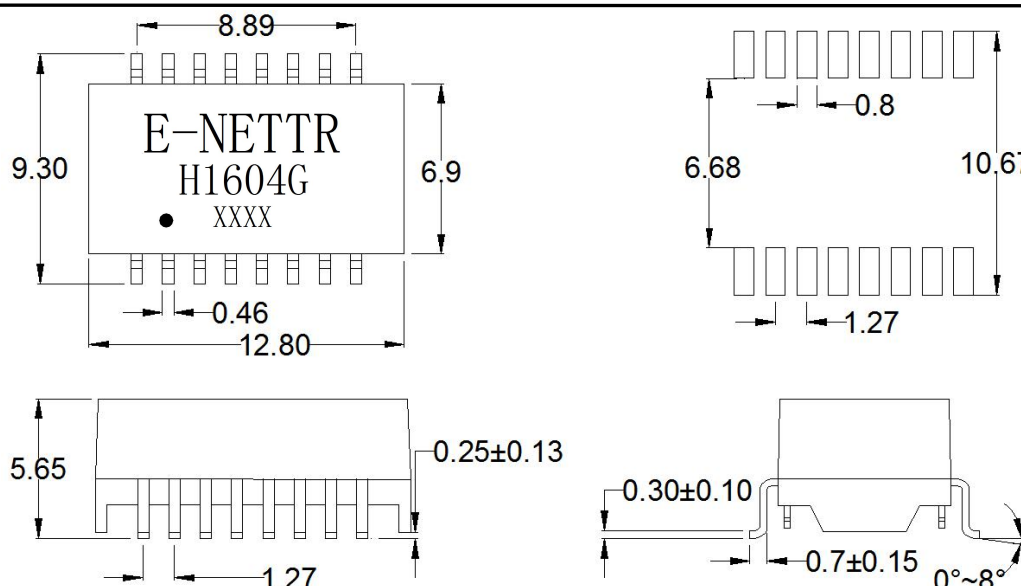
- \* Designed to meet IEEE802.3U requirement
- \* Designed to meet RoHS requirement
- \* Designed to meet IR 255°C peak Requirement.
- \* Primary inductance 350μH min. with 8mA DC Bias
- \* Operating temperature range: 0°C to +70°C


**Electrical Specifications@25° C**

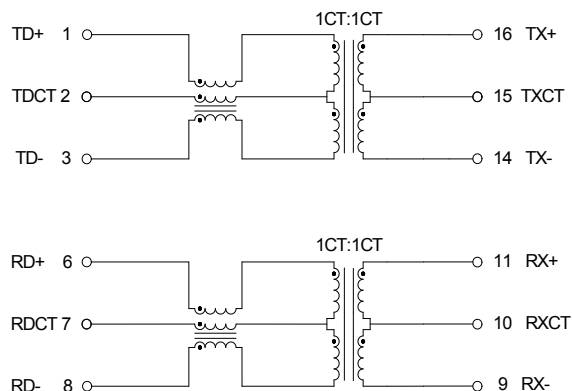
Part Number	Turn Ratio (±3%)	OCL(uH Min) @100KHz/0.1V with 8mA DC Bias	L.L (uH Max)	C <sub>w/w</sub> (pF Max)	DCR (Ω Max)	Hi-Pot (Vrms MIN)
H1604G	1CT:1CT	350	0.5	28	1.3	AC 1500/1mA

**Continue**

Part Number	Insertion Loss 0.3~100MHZ (dB Max)	Return Loss (dB Min)				Cross Talk (dB Min)		DCMR (dB Min)		
		0.3-30MH	40MHz	50MHz	60-80MHz	0.3-60MHz	60-100MHz	30MHz	60MHz	100MHz
H1604G	-1.1	-18	-15.5	-13	-12	-45	-35	-40	-35	-30

**Mechanical**


Unless otherwise specified tolerances: xx.xo ± 0.25mm  
o.xx ± 0.05mm

**Schematic**


东莞市祥星电子有限公司

地址：东莞市石碣镇横滘科技中路第三工业区

TEL:0769-86384669

FAX:0769-81813600

[xxing.guang@163.com](mailto:xxing.guang@163.com)