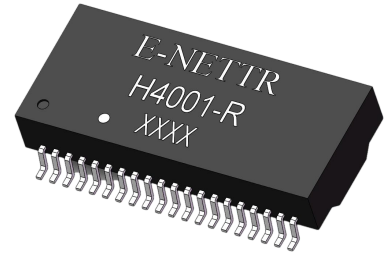




# E-NETTR 10/100 Base-T Transformer Module

P/N: H4001-R

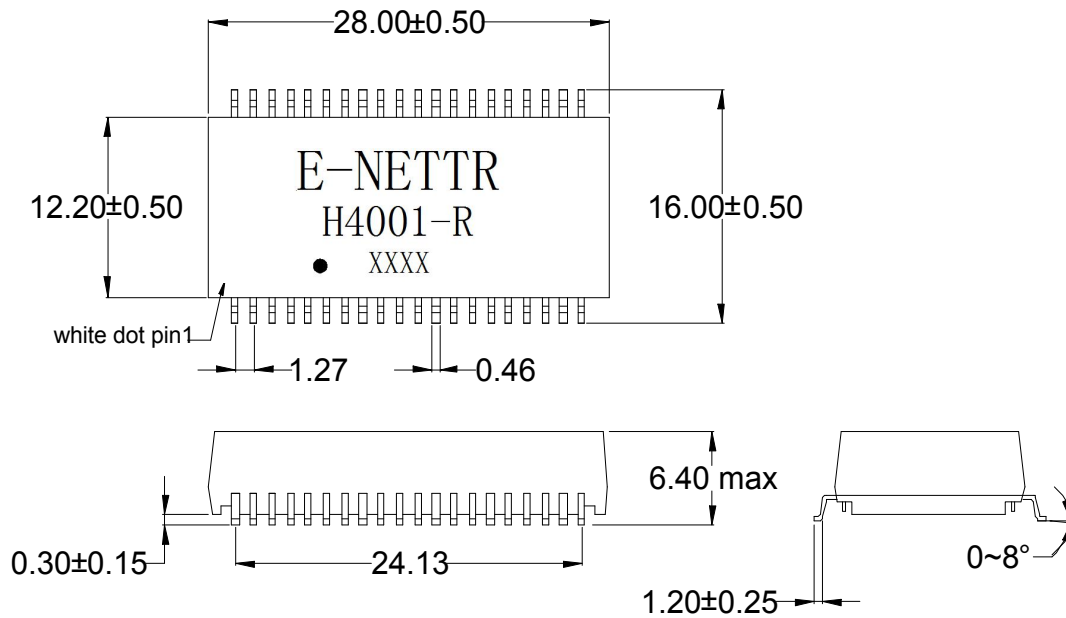
- 0 Designed to meet IEEE802.3ab requirement
- 0 Lead-Free & Designed to meet RoHS requirement
- 0 Designed to meet IR 255°C peak Requirement.
- 0 Primary inductance 350μH min. with 8mA DC Bias
- 0 Operating temperature range:-40<sup>0</sup>C to +85<sup>0</sup>C
- 0 Storage temperature range: -40<sup>0</sup>C to +85<sup>0</sup>C



## Electrical Specifications@25° C

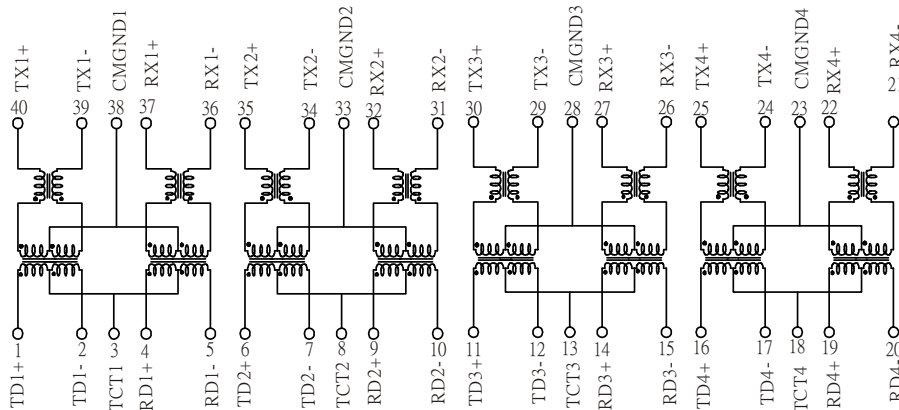
Part Number	Turn Ratio (±3%)	Insertion Loss 0.3~100MHZ (dB Max)	Return Loss (dB Min)			Cross Talk (dB Min)			DCMR (dB Min)			Hi-Pot (Vrms MIN)
			30MHz	60MHz	100MHz	30MHz	60MHz	100MHz	30MHz	60MHz	100MHz	
H4001-R	1CT:1CT	-1.1	-18	-14.5	-12	-50	-40	-33	-38	-38	-30	1500

## Mechanical



Dimensions: Inches/mm  
 Unless otherwise specified tolerances: xx.xo ± 0.25mm  
 o.xx ± 0.05mm

## Schematic



东莞市祥星电子有限公司

地址: 东莞市石碣镇横滘科技中路第三工业区

TEL:0769-86384669

FAX:0769-81813600

[xxing.guang@163.com](mailto:xxing.guang@163.com)