

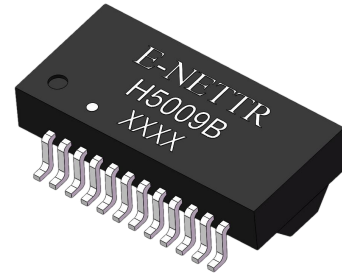


**E-NETTR**

**10/100/100 Base-T Transformer Module**

**P/N: H5009B**

- \* Designed to meet IEEE802.3ab requirement
- \* Lead-Free & Designed to meet RoHS requirement
- \* Designed to meet IR 255°C peak Requirement.
- \* Primary inductance 350μH min. with 8mA DC Bias
- \* Single Port for NIC Application
- \* Operating temperature range: 0°C to +70°C
- \* Storage temperature range: 0°C to +85°C
- \* Comply with Halogen Free requirement



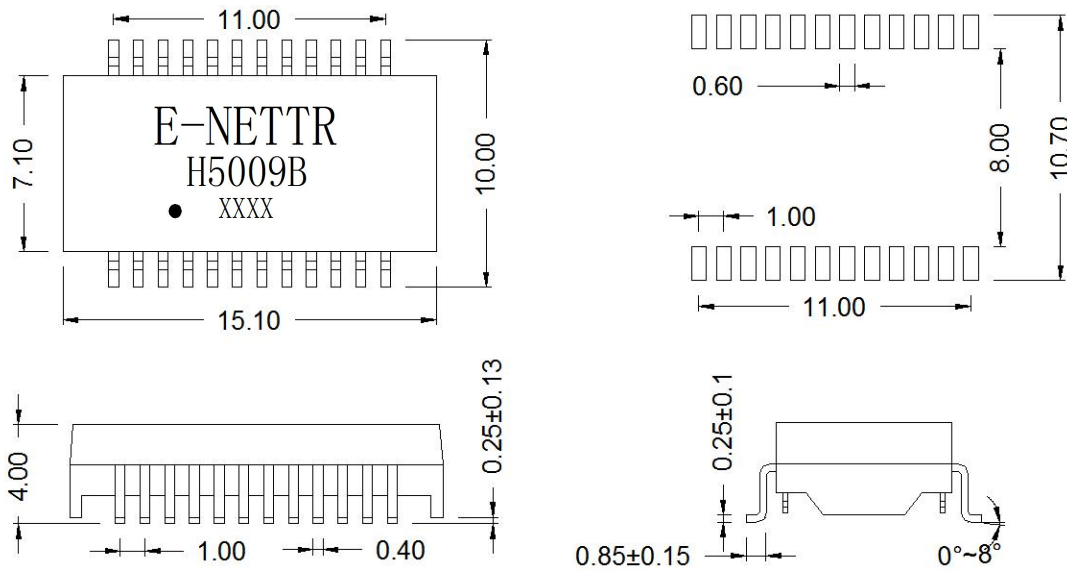
**Electrical Specifications@25° C**

Part Number	Turn Ratio (±3%)	L.L (uH Max)	DCR (Ω Min)	Insertion Loss 0.3~100MHz (dB Max)	Return Loss (dB Min)				
					1-30MHz	40MHz	50MHz	60-80MHz	100MHz
H5009B	1CT:1CT	0.40	1.2	-1.0	-18.0	-14.4	-13.1	-12.0	-10.0

**Continue**

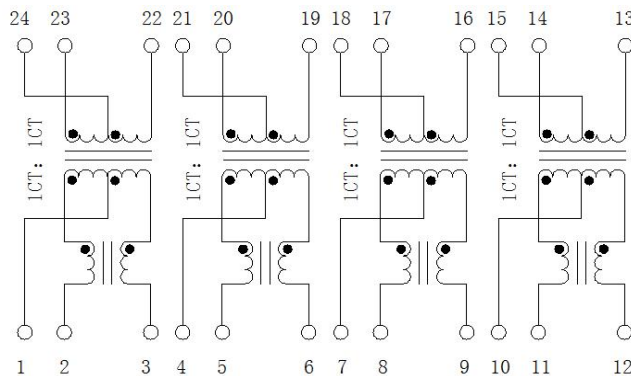
Cross Talk (dB Min)			DCMR (dB Min)			Hi-Pot (Vrms MIN)
30MHz	60MHz	80-100MHz	30MHz	60MHz	100MHz	
-45.0	-40.0	-35.0	-43.0	-37.0	-33.0	1500

**Mechanical**



Unless otherwise specified tolerances: xx.xo ± 0.25mm  
o.xx ± 0.05mm

**Schematic**



东莞市祥星电子有限公司

地址：东莞市石碣镇横滘科技中路第三工业区

TEL:0769-86384669

FAX:0769-81813600

[xxing.guang@163.com](mailto:xxing.guang@163.com)