



E-NETTR 100/1000 Base-T Transformer Module

P/N: H5008G

- * Designed to meet IEEE802.3ab requirement
- * Lead-Free & Designed to meet RoHS requirement
- * Designed to meet IR 255°C peak Requirement.
- * Primary inductance 350μH min. with 8mA DC Bias
- * Single Port for NIC Application
- * Operating temperature range: 0°C to +70°C
- * Storage temperature range: 0°C to +85°C
- * Comply with Halogen Free requirement

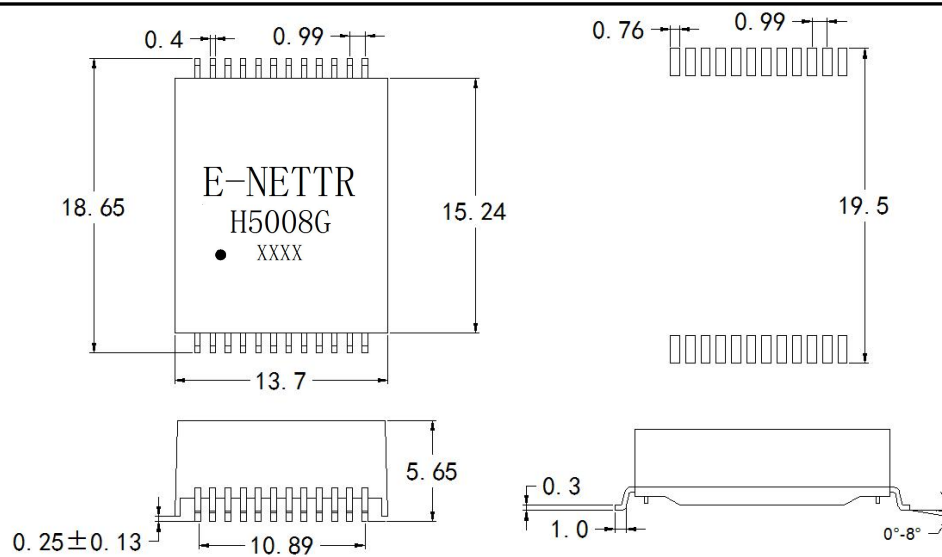
Electrical Specifications@25° C

Part Number	Turn Ratio (±3%)	L.L (uH Max)	DCR (Ω Max)	Insertion Loss 1~100MHz (dB Max)	Return Loss (dB Min)				
					1-30MHz	40MHz	50MHz	60-80MHz	100MHz
H5008G	1CT:1CT	0.40	1.0	-1.0	-18.0	-14.4	-13.1	-12.0	-10.0

Continue

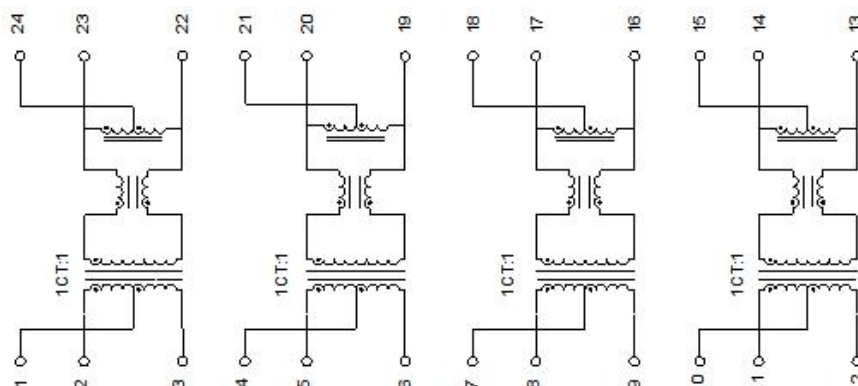
Cross Talk (dB Min)			DCMR (dB Min)			Hi-Pot (Vrms MIN)
30MHz	60MHz	80-100MHz	30MHz	60MHz	100MHz	
-40.0	-35.0	-30.0	-40.0	-35.0	-30.0	1500

Mechanical



Dimensions: Inches/mm
 Unless otherwise specified tolerances: xx.xo ± 0.25mm
 o.xx ± 0.05mm

Schematic



东莞市祥星电子有限公司

地址: 东莞市石碣镇横滘科技中路第三工业区

TEL:0769-86384669

FAX:0769-81813600

xxing.guang@163.com