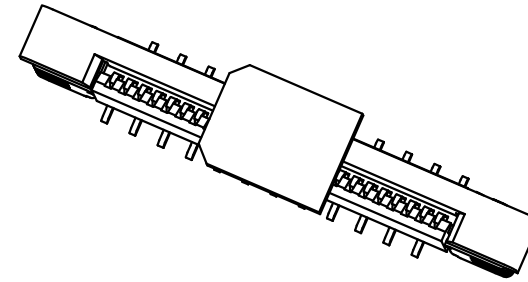
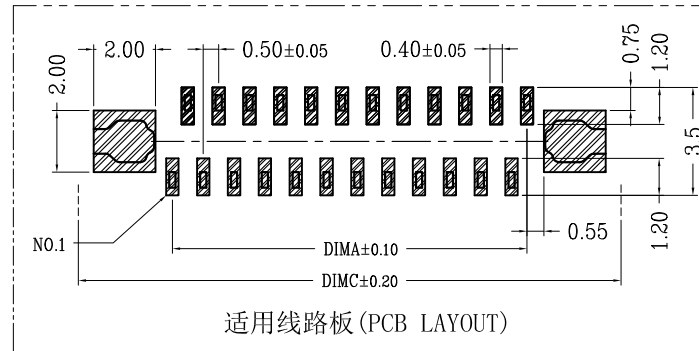
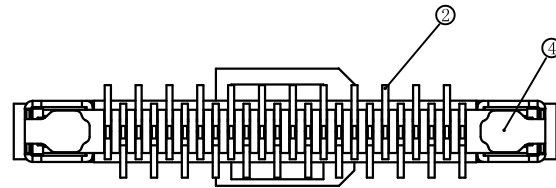
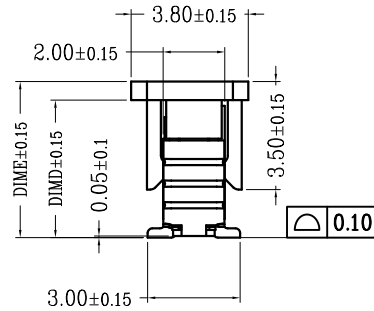
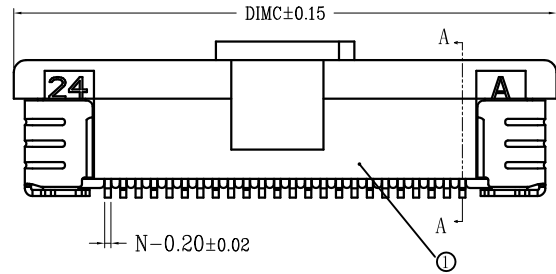


SECTION A-A
Without cover



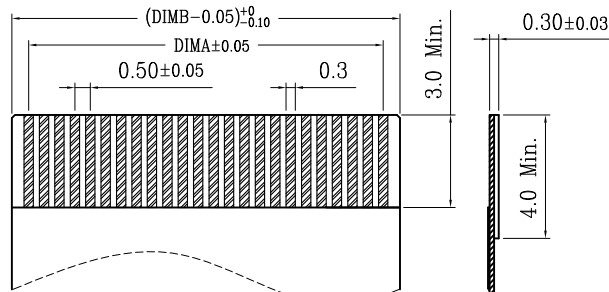
| 序号 | 品名 | 材质 |
|----|------------------|----------------|
| ① | 0.5拉拔3代胶芯 (H2.0) | LCP UL94V-0 本色 |
| ② | 0.5拉拔立式端子 | 铜合金/表面镀锡 |
| ③ | 0.5拉拔卧式3代后盖 | LCP UL94V-0 黑色 |
| ④ | 0.5拉拔3代焊片 (H2.0) | 铜合金/表面镀锡 |
| ⑤ | 0.5拉拔立式3代吸盖 | LCP UL94V-0 黑色 |



| CKT | DIM A | DIM B | DIM C | DIM D | DIM E |
|-----|-------|-------|-------|-------|-------|
| 6 | 2.50 | 3.56 | 8.60 | | |
| 7 | 3.00 | 4.06 | 9.10 | | |
| 8 | 3.50 | 4.56 | 9.60 | | |
| 9 | 4.00 | 5.06 | 10.10 | | |
| 10 | 4.50 | 5.56 | 10.60 | | |
| 11 | 5.00 | 6.06 | 11.10 | | |
| 12 | 5.50 | 6.56 | 11.60 | | |
| 13 | 6.00 | 7.06 | 12.10 | | |
| 14 | 6.50 | 7.56 | 12.60 | | |
| 15 | 7.00 | 8.06 | 13.10 | | |
| 16 | 7.50 | 8.56 | 13.60 | | |
| 17 | 8.00 | 9.06 | 14.10 | | |
| 18 | 8.50 | 9.56 | 14.60 | | |
| 19 | 9.00 | 10.06 | 15.10 | | |
| 20 | 9.50 | 10.56 | 15.60 | 4.45 | 5.05 |
| 21 | 10.00 | 11.06 | 16.10 | | |
| 22 | 10.50 | 11.56 | 16.60 | | |
| 23 | 11.00 | 12.06 | 17.10 | | |
| 24 | 11.50 | 12.56 | 17.60 | | |
| 25 | 12.00 | 13.06 | 18.10 | | |
| 26 | 12.50 | 13.56 | 18.60 | | |
| 27 | 13.00 | 14.06 | 19.10 | | |
| 28 | 13.50 | 14.56 | 19.60 | | |
| 29 | 14.00 | 15.06 | 20.10 | | |
| 30 | 14.50 | 15.56 | 20.60 | | |
| 31 | 15.00 | 16.06 | 21.10 | | |
| 32 | 15.50 | 16.56 | 21.60 | | |
| 33 | 16.00 | 17.06 | 22.10 | | |
| 34 | 16.50 | 17.56 | 22.60 | | |

技术指标:

1. 塑件表面应光洁、无毛边、无明显收缩、缺陷、裂纹等现象。
2. 温度范围: -25° C~85° C.
3. 额定电压: 50V, AC/DC(等效).
4. 接触电阻: ≤0.03Ω.
5. 绝缘电阻: ≥500MΩ
6. 产品料号:



适用扁平线 (Applicable Flat Cable)



一般公差 (TOLERANCE)
X ±0.50 XX ±1.0
X ±0.20 XXX ±0.05
ANGLES ±1°

| | | | |
|-------------------------------------|----------------------|---------------------|----------|
| 深圳市金航标电子有限公司 | | www.kinghelm.com.cn | |
| KH-FPC0.5-H5.0-20P-LTQB | | 0755-28190160 | |
| 品名 (TITLE) 0.5 Pitch 拉拔立式3代正脚位1代 | | 制图 (DR) Anlan | |
| 料号 (DWG.NO) FP218H-0xxS10M | | 校对 (CHKD) 王涛 | |
| 比例 (SCALE) 1:1 | | 审核 (APPD) 黄志明 | |
| 单位 (UNITS) mm | 张数 (SHEET) 1 OF 2 | SIZE A4 | REV A |