

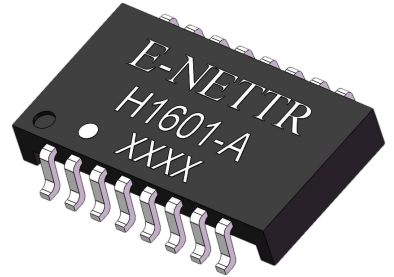


E-NETTR

10/100 Base-T single port transformer Module

P/N:H1601-A

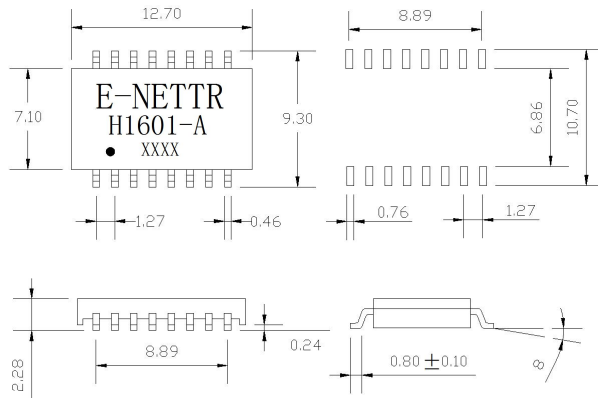
- * Designed to meet IEEE802.3u requirement
- * Lead-Free & Designed to meet RoHS requirement
- * Designed to meet IR 255°C peak Requirement.
- * Primary inductance 350uH min
- * Low Profile package for CardBus Application
- * Operating Temperature Range -40°C to +85°C
- * Storage temperature range: -40°C to +85°C
- * Comply with Halogen Free requirement



Electrical Specifications @ 25°C

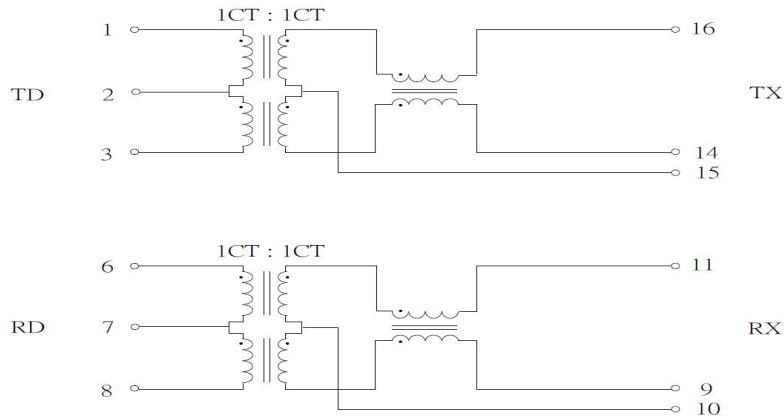
Part Number	Turn Ratio (±3%)		Insertion Loss 1~100MHz (dB Max)	Return Loss (dB Min)			Cross Talk (dB Min)		CMRR (dB Min)	LK (uH Max)	DCR (Ω Max)	CWW (pF Max)	Hi-Pot (Vrms MIN)
	Tx	Rx		0.5-30 MHz	30.1-60 MHz	60.1-80 MHz	1-40 MHz	40.1-100 MHz					
H1601-A	1:1	1:1	-1.1	-16	-14	-11	-35	-30	-20	0.4	0.9	15	1500

Mechanical



Dimensions: Inches/mm
 Unless otherwise specified tolerances: xx.xo ± 0.25mm
 o.xx ± 0.05mm

Schematics



东莞市祥星电子有限公司

地址: 东莞市石碣镇横滘科技中路第三工业区
 TEL:0769-86384669 FAX:0769-81813600

Miss yang:13694998066
 Http://www.e-nettr.com

Mr Li:15013501940
xxing.guang@163.com