

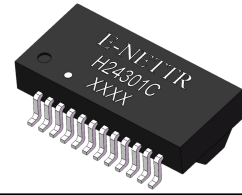


E-NETTR

2.5G BASE-T Transformer Module

P/N: H24301C

- * Designed to meet IEEE802.3ab requirement
- * Lead-Free & Designed to meet RoHS requirement
- * Designed to meet IR 255°C peak Requirement.
- * Primary inductance 150µH min. with 11mA DC Bias
- * Operating temperature range: 0°C to +70°C



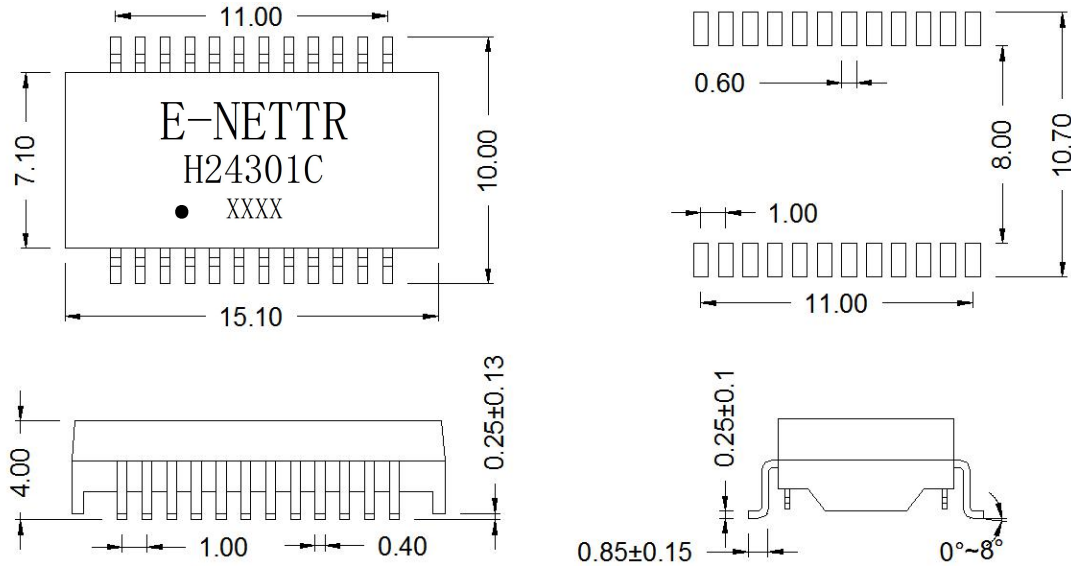
Electrical Specifications@25° C

Part Number	Turn Ratio (±3%)	OCL(uH Min) @ 100KHz/0.1V with 11mA DC Bias	L.L (uH Max)	C _{w/w} (pF Max)	DCR (Ω Max)	Hi-Pot (Vrms MIN)
H24301C	1CT:1CT	150	0.5	28	0.9	AC 1500 / 1mA

Continue

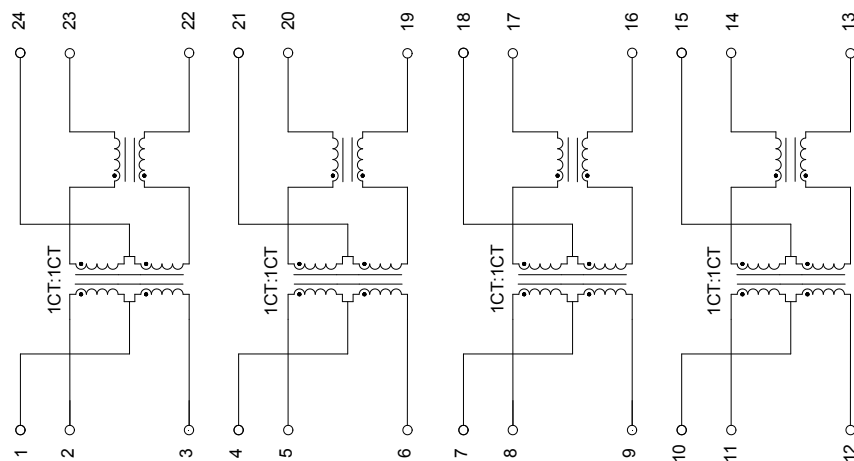
Part Number	Insertion Loss (dB Max)		Return Loss (dB Min)			Cross Talk (dB Min)		DCMR (dB Min)	
	1-100MHz	100-125MHz	0.3-40MHz	100MH	125MHz	1-100MHz	125MHz	1-100MHz	125MHz
H24301C	-1.0	-1.5	-16	-10	-6	-30	-25	-30	-25

Mechanical



Unless otherwise specified tolerances: xx.xo ± 0.25mm
o.xx ± 0.05mm

Schematic



东莞市祥星电子有限公司

地址：东莞市石碣镇横滘科技中路第三工业区

TEL:0769-86384669

FAX:0769-81813600

xxing.guang@163.com