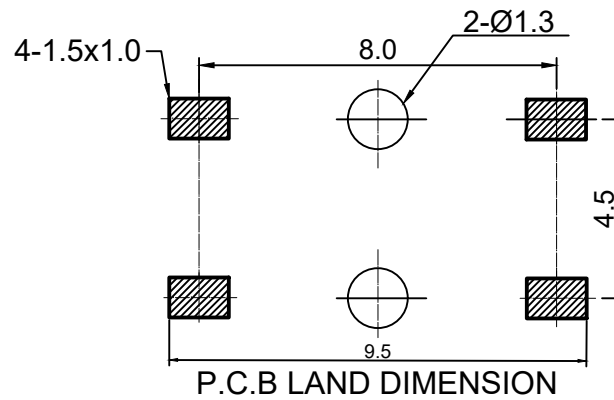
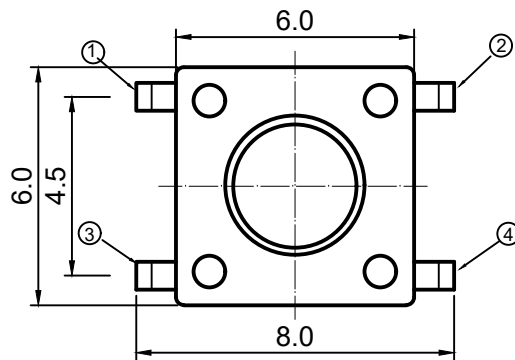


GT-TS089B-H043-L1

G-Switch

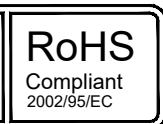
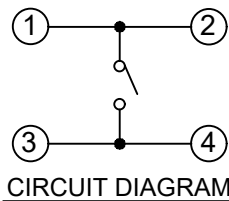
Operating Force
 A=180gf B=250gf
 C=100gf D=70gf
 E=130gf F=320gf
 G=400gf

Switch lifetime (Force)
 L05=50,000 Cycles
 L1=100,000 Cycles
 L3=300,000 Cycles
 L5=500,000 Cycles



Switch Height (mm) A=ØA
 H043=4.3 A=3.5 H050=5.0 A=3.5
 H055=5.5 A=3.5 H060=6.0 A=3.5
 H065=6.5 A=3.5 H070=7.0 A=3.3
 H080=8.0 A=3.3 H085=8.5 A=3.3
 H090=9.0 A=3.3 H095=9.5 A=3.0
 H100=10.0 A=3.0 H105=10.5 A=3.0
 H110=11.0 A=3.0 H115=11.5 A=3.0
 H120=12.0 A=3.0 H125=12.5 A=3.0
 H130=13.0 A=3.0 H135=13.5 A=3.0
 H140=14.0 A=3.0 H145=14.5 A=3.0
 H150=15.0 A=3.0 H155=15.5 A=3.0
 H160=16.0 A=3.0 H165=16.5 A=3.0
 H170=17.0 A=3.0 H175=17.5 A=3.0
 H180=18.0 A=3.0 H185=18.5 A=3.0
 H190=19.0 A=3.0 H195=19.5 A=3.0
 H200=20.0 A=3.0 H205=20.5 A=3.0
 H210=21.0 A=3.0 ...

G-Switch Specification:
 Operating temperature range: -40°C to +85°C
 Rating: 50mA, 12V DC
 Insulation resistance: 100MΩ min. 100V DC
 Dielectric strength: 250V AC for 1 min
 Contact resistance: 100mΩ max.
 Travel: 0.25±0.1mm



	G-Switch Electronic (HongKong)CO.,Ltd.		
	DESIGN 陈锋枫	DATE 2019.05.29	Molde code:
Unless otherwise specified, Tolerance:	CHECKED	DATE	GT-TS089B-H043-L1
X. ±0.30	APPROVED	DATE	
X.x ±0.20	http://www.dg-switch.com		REV.: X1
X.xx ±0.15	TEL: 0769-82388879		SCALE: 4:1
X.xxx ±0.10			UNIT: mm
Angles ±3°			SIZE: A4
			SHEET: 1/1