

GT-USB-2004-XXGXX

G-Switch

USB系列

系列编码

C=铜壳

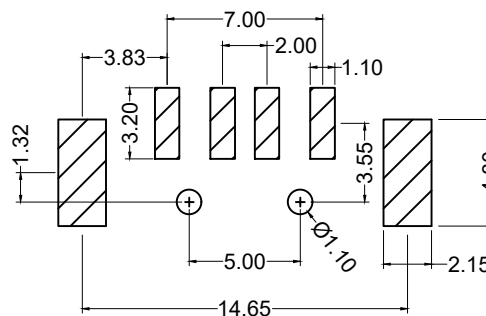
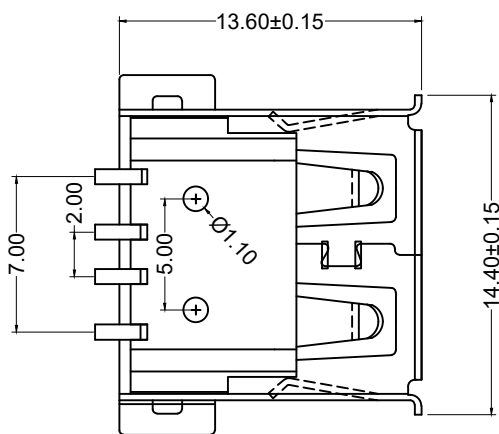
I=铁壳

G1=1U N=直边
G3=3U A=卷边
G5=5U
G15=15U
G30=30U

W=白色

B=黑色

N=其它

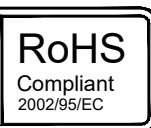


P.C.B LAYOUT

G-Switch USB-C Specification:

1. CURRENT RATING:1.5A/contact terminal
2. VOLTAGE:30V DC
3. TEMPERATURE RANGE: -55 °C ~ 85 °C
4. CONTACT RESISTANCE:30 milliohms MAX
5. INSULATION RESISTANCE: 1000MEGA ohms MIN
6. MATE FORCE:3.57kgf(MAX)
7. UNMATE FORCE:1.02kgf(MIN)

1	Housing	Hing Temperature Ternmaplastics, UI 94V-0 LCP White/Black
1	Contact	Copper Alloy C2680
1	Shell	Copper Alloy C2680/SPCC
1	Contact	Plated Gold in Mating Area; Tin On Solder Talls
1	Shell	Nickel Plating
1	Name	Material Science



Unless otherwise specified, Tolerance:
 X. ±0.30
 X.x ±0.20
 X.xx ±0.15
 X.xxx ±0.10
 Angles ±3°

G-Switch Electronic (HongKong) CO.,Ltd.

DESIGN Li Qingqi	DATE 2022.07.08	Molde code:		
CHECKED	DATE	GT-USB-2004-XXGXX		
APPROVED	DATE			
http://www.dg-switch.com		REV.: X1	SCALE: 4:1	UNIT: mm
TEL:0769-82388879		SIZE: A4	SHEET: 1/1	