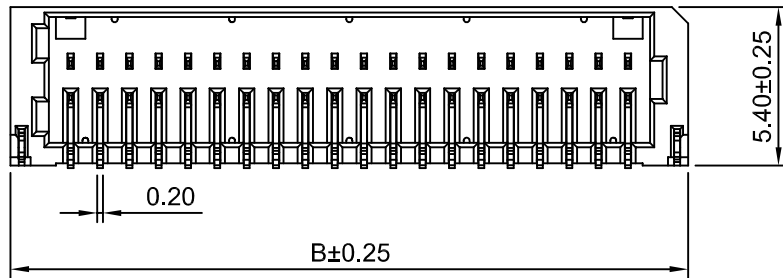
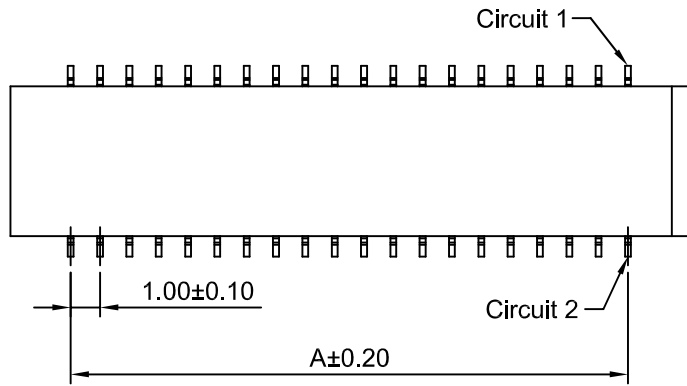
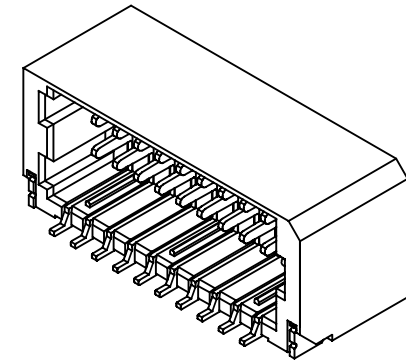
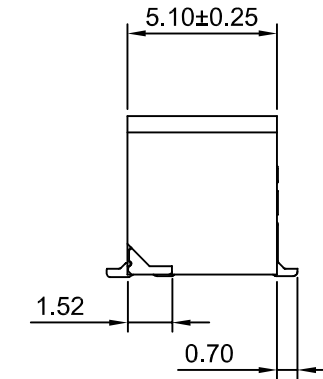
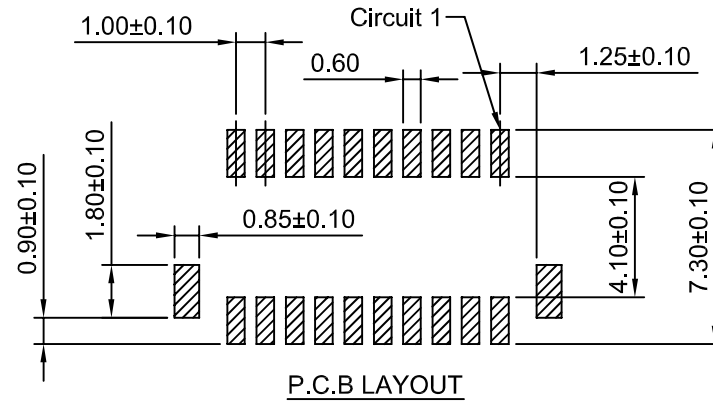


修订 REV	标记 MARK	修改摘要 REVISION DESCRIPTION	签名 SIGNATURE	日期 DATE
AO		NEW RELEASE	WANG	2017-02-10



Ordering Information & Dimensions

Circuits	Dimensions(mm)		Circuits	Dimensions(mm)	
	A	B		A	B
2x6P	5.00	9.10	2x15P	14.00	18.10
2x8P	7.00	11.10	2x20P	19.00	23.10
2x10P	9.00	13.10	2x25P	24.00	28.10

SPECIFICATIONS:

Current Rating: 1A AC,DC  
Voltage Rating: 50V AC,DC  
Temperature Range: -25°C ~ +85°C  
Contact Resistance: 20MΩ Max.  
Insulation Resistance: 100MΩ Min.  
Withstanding Voltage: 500V AC/minute  
Pin Material: Brass/Tin over Nickel  
Material: Nylon 6T,UL94V-0(Ivory)



深圳市华德共创科技有限公司

Shenzhen Huade co-create Technology Co.,LTD

TEL : 0755-27111225 FAX : 0755-29940187

-TOLERANCES- UNLESS OTHERWISE SPECIFIED 公差参数表						TITLE: 产品名称: SHD1.0双排卧贴针座			
X.X	±0.30	X.X°	±3°	APPD: 核准:	XIE	PART NO: 产品编号: HDGC1002WR-S-2XxP			
X.XX	±0.30	X.XX°	±2°	CHECK: 校对:	WANG	DATE	SCALE	UNIT	CODE NUMBER
X.XXX	±0.10	X.XXX°	±1°	DRAW: 绘图:	WANG	2017-02-10	4:1	mm	A008