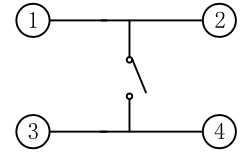


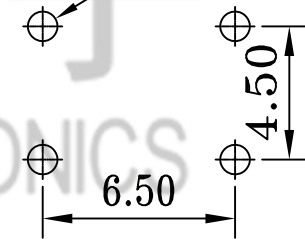
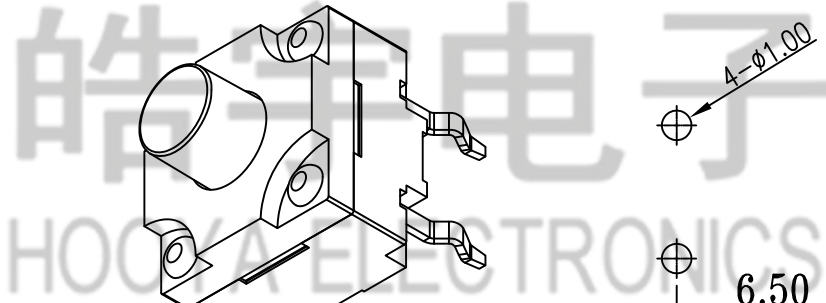
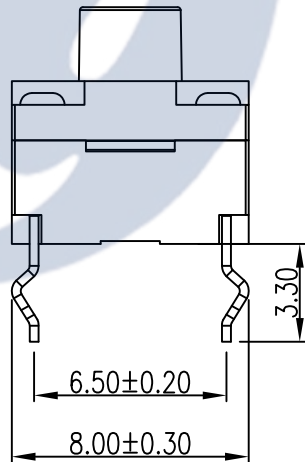
H	
6.5	7.0
7.5	8.0
8.5	9.0
9.5	10.0
10.5	11.0
11.5	12.0



电路图

主要技术规格:

1. 额定值: 50mA DC12V
2. 接触电阻: $\leq 50m\Omega$
3. E(操作力): $250 \pm 40gf$
4. 行程: $0.35 \pm 0.1mm$
5. 绝缘电阻: $\geq 100M\Omega$
6. 抗电强度: 250V 50HZ 1Min.
7. 寿命: 100,000 Cycles
8. 防水等级: IP67
9. 防银迁移: 60V, 85°C, 90%RH/60H



PCB. 焊接图

操作力: E=250 ± 50gf

8	INSIDE	PPA	1	BLACK	TOLERANCE								
7	WATERPROOF MEMBRANE	PPA	1	YELLOW	UNLESS SPECIFIED								
6	TERMINAL	BRASS	4	Ag-Plated	UP TO 5mm: ±0.1	ANGULAR	1						
5	CASE	PPA	1	BLACK	ABOVE 5mm: ±0.2	±1°	NO	DATE	REVISIONS			BY	APPD
4	REED	SUS	1	Ag-Plated	TITLE: TACT SWITCH			UNIT: MM	ROHS	DWN			
3	WATERPROOF PAD	RUBBER	1	BLACK	MODEL: TC-00108FS-080E			SCALE: 1:1	COMPLIANT	CHK'D			
2	COVER	PPA	1	BLACK	HAOYU(HONGKONG)LIMITED 皓宇(香港)有限公司					APPD			
1	BUTTON	PPA	1	BLACK									
NO.	PART NAME	MATERIAL	QTY	FINISHING						PRO.AGL:		REV :A0	