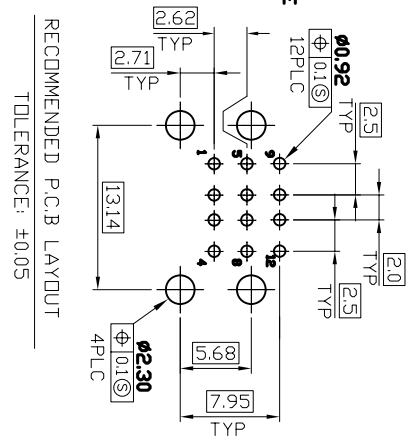
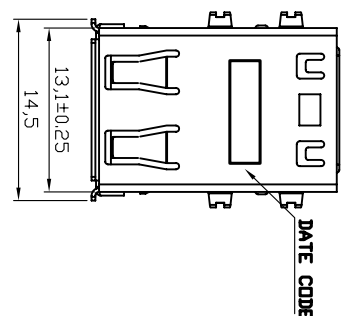


MAPX	MODIFICATION	DATE
------	--------------	------

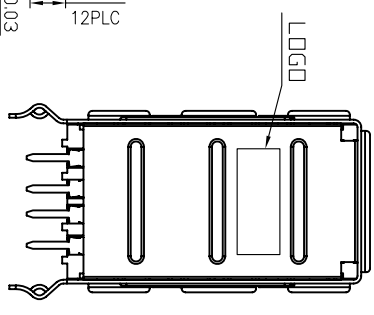
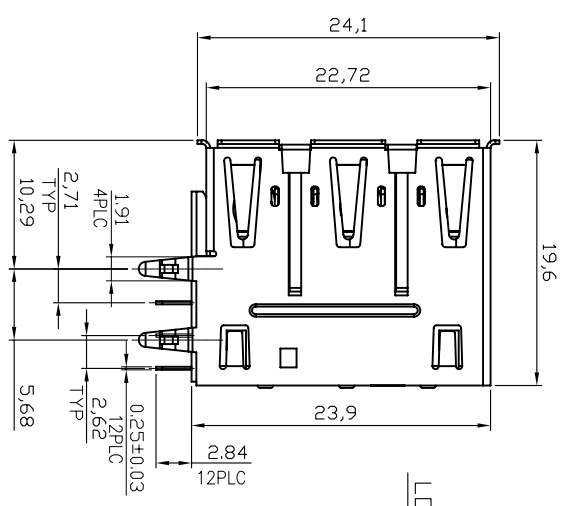
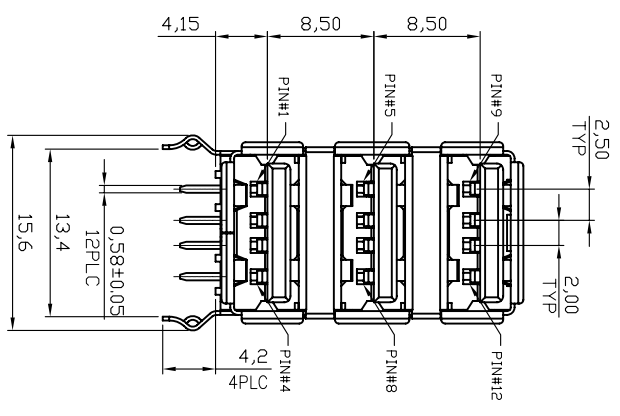
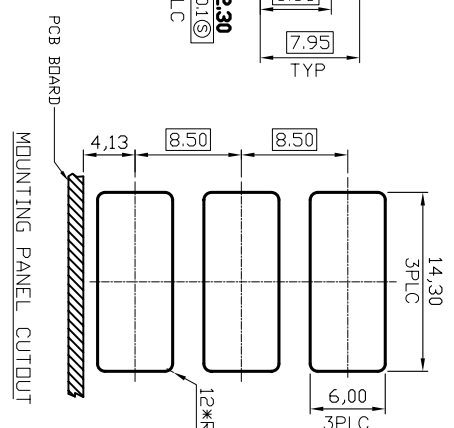
NOTES:  
1. MATERIAL:  
1.1 HOUSING:PA6T+30% G/F,COLOR:BLACK, UL 94V-0;  
1.2 CONTACTS: PHOSPHOR BRONZE  
1.3 SHELL :PHOSPHOR BRONZE DR SK7  
1.4 ISOLATED:PHOSPHOR BRONZE DR SK7  
1.5 REAR SHELL :SPCC

2. FINISH:  
2.1 CONTACT:  
GOLD/SEE TABLE) PLATING ON CONTACT AREA.  
100u" MIN. BRIGHT-TIN PLATING ON SOLDER TAIL AREA.50u" MIN. NICKEL UNDERPLATING OVERALL,  
2.2 SHELL:  
100u" MIN. NICKEL UNDERPLATING.  
2.3 ISOLATED:SHELL: 100u" MIN. NICKEL PLATED  
2.4 REAR SHELL:100u" MIN. NICKEL PLATED.

3. ELECTRICAL CHARACTERISTICS:  
CURRENT RATING: 0.5Ampere Maximum  
VOLTAGE: 30V AC.  
CONTACT RETENTION FORCE:0.7KG/MINIMUM.  
CONTACT RESISTANCE: 30 MILLIOHMS MAXIMUM.  
INSULATION RESISTANCE: 1000MEG OHMS MINIMUM.  
DIELECTRIC WITHSTANDING VOLTAGE: 750V AC AT SEE LEVEL.  
TEMPERATURE: -55°C~85°C .



RECOMMENDED P.C.B LAYOUT  
TOLERANCE: ±0.05



产品图  
PRODUCT CHART DWG  
公差一览表

TOLERANCE UNLESS OTHERWISE	公差
X	±0.35
X	±0.30
XX	±0.20
XXX	±0.10

深圳市精拓金电子有限公司

单位	MM	制图	GAVIN	制图料号	907-118A502AD10200
比例	1:1	审核	郭治富	产品名称	4P2.0 90度三层弯脚有边平弹不锈钢脚座黑胶
日期	2013-06-15	核准	黄国荣	角法	VER
DATE		APPD		VER	AD

1 2 3 4 5 6 7 8 9 10  
G F E D C B A  
G F E D C B A