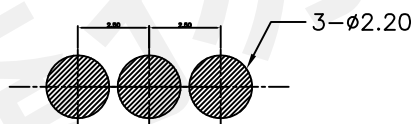
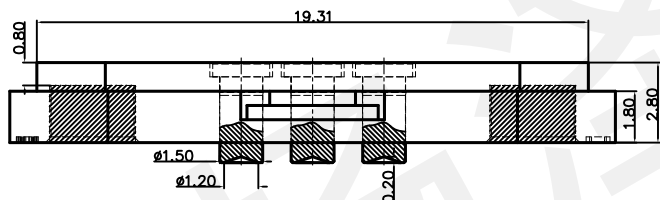
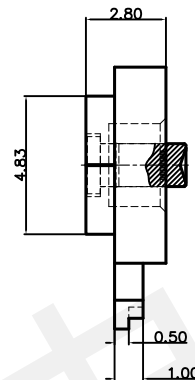
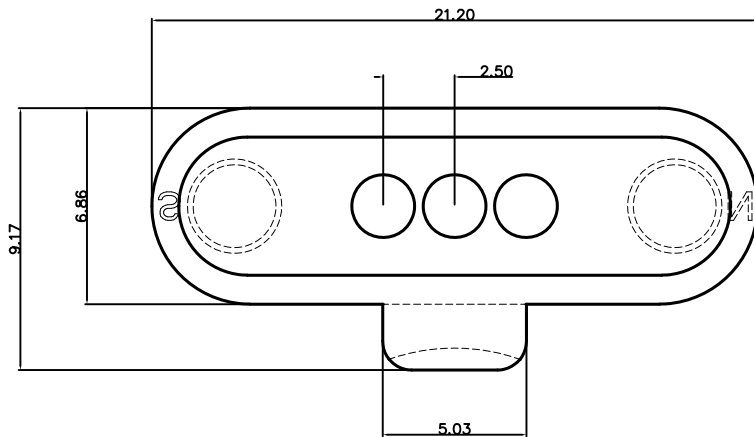


客户图

NO.	ECN NO.	DESCRIPTION	DATE



RECOMMENDED PCB LAYOUT

Note:

- Material (材料):**
 Housing: PA9T (胶芯: PA9T)
 Pin: Brass C3604 (针体: 黄铜 C3604)
 Magnet: NdFeB (磁铁: 钕铁硼)
- Plating (电镀):**
 Pin: 3u' Au over 50u'~80u' Ni (针体: 镀金3u', 镍底50u'~80u'.)
 Magnet: Zc plated (磁铁: 镀锌)
- Electrical (电气特性):**
 Insulation Resistance: 1,000MΩ minimum.
 (绝缘电阻: 1,000MΩ以上)
 Dielectric Withstand Voltage: 500VAC/minute.
 (抗击电压: 500VAC/minute)
- Work Temperature (工作环境):**
 Withstanding Higt Temperature: 280℃
 Operational Temperature: ?20℃~ ?70℃

深圳市鑫扬泽电子有限公司



HTTP://WWW.XYZPOGOPIN.COM

TEL:0755-28773277 FAX:0755-28891353

SCALE:	N/A	UNIT	mm
SHEET:	1 of 1	PROJECTION	
DATE:	2022.3.24	VER.	A.1

THE UNMARKED TOLERANCE ARE AS BELOW :

LENGTH		ANGLE	
X.XX	±0.05mm	X.XX	±0.50°
X.X	±0.10mm	X.X	±1.00°
X.	±0.20mm	X.	±2.00°

DESIGNED BY:		DWG. NO.	YZ92015035T-03025-01
CHECKED BY:		TITLE:	Pogo pin 连接器
APPROVED BY:			