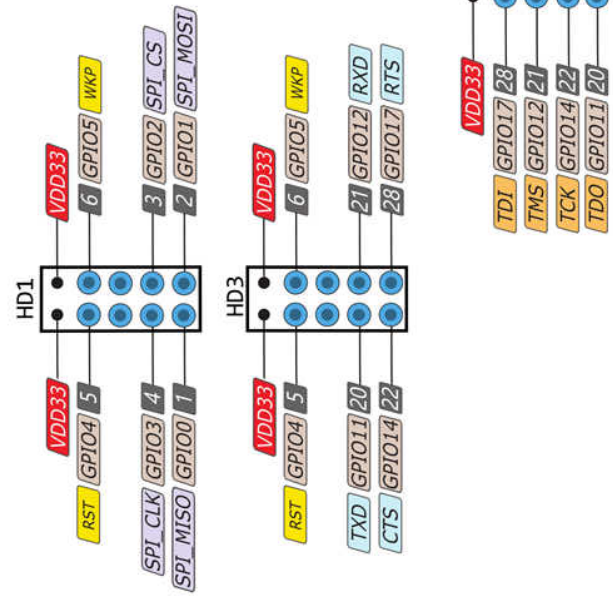
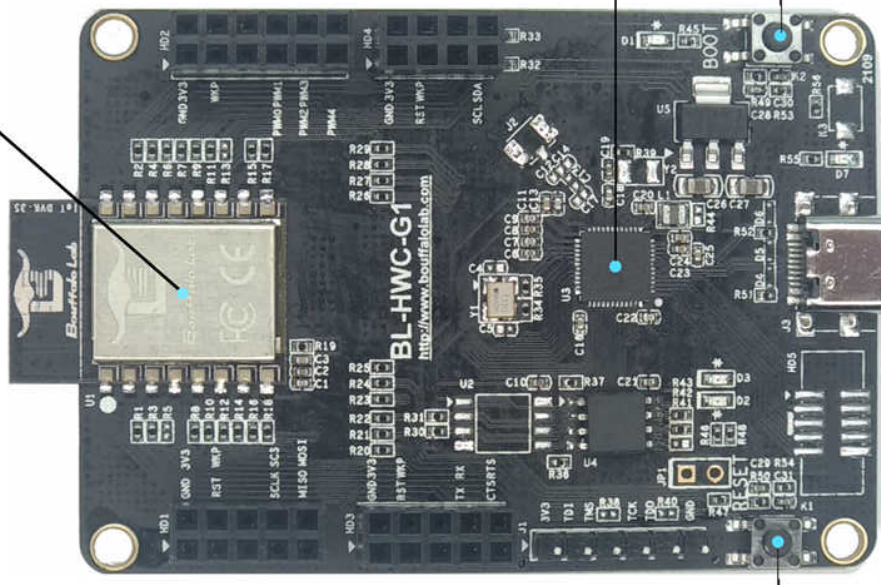


BL-HWC-G1 PINOUT

- Power
- GND
- Physical Pin
- Port Pin
- Control Pin
- SPI Pin
- I2C Pin
- Debug Pin
- PWM Pin
- Serial Pin
- USB Pin
- Ports

BL602-IoT-DVK-3S



USB Download



Bouffalo Lab

Learn more at:

<https://www.bouffalolab.com>