

### GT-TC072X-HXXX-LX

G-SWITCH

**Operating Force**

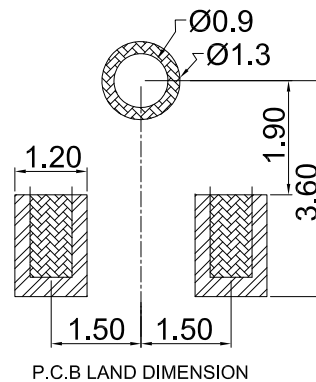
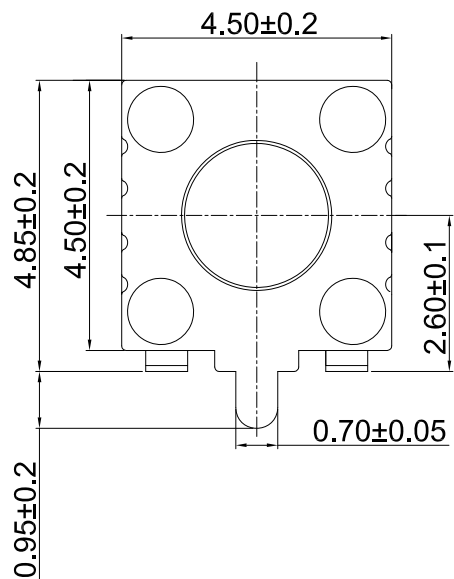
A=160gf  
B=250gf  
C=100gf

**Switch Height (mm)**

H038=3.8mm H055=5.5mm  
H043=4.3mm H060=6.0mm  
H045=4.5mm H065=6.5mm  
H050=5.0mm H070=7.0mm

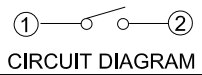
**Switch lifetime (Force)**

L1=100,000 Cycles



**G-Switch Specification:**

Operating temperature range: -40°C to +85°C  
Rating: 50mA, 12V DC  
Insulation resistance: 100MΩ min, 100V DC  
Dielectric strength: 250V AC for 1 min  
Contact resistance: 100mΩ max.  
Travel: 0.20±0.1mm



**G-Switch Electronic (HongKong) CO.,Ltd.**

Unless otherwise specified, Tolerance:  
X. ±0.30  
X.x ±0.20  
X.xx ±0.15  
X.xxx ±0.10  
Angles ±3°

DESIGN FengFengChen  
CHECKED  
APPROVED  
<http://www.dg-switch.com>  
TEL:0769-82388879

DATE 2022.07.27  
DATE  
DATE  
REV.: X1  
SIZE: A4

Molde code:  
GT-TC072X-HXXX-LX  
SCALE: 4:1  
SHEET: 1/1  
UNIT: mm